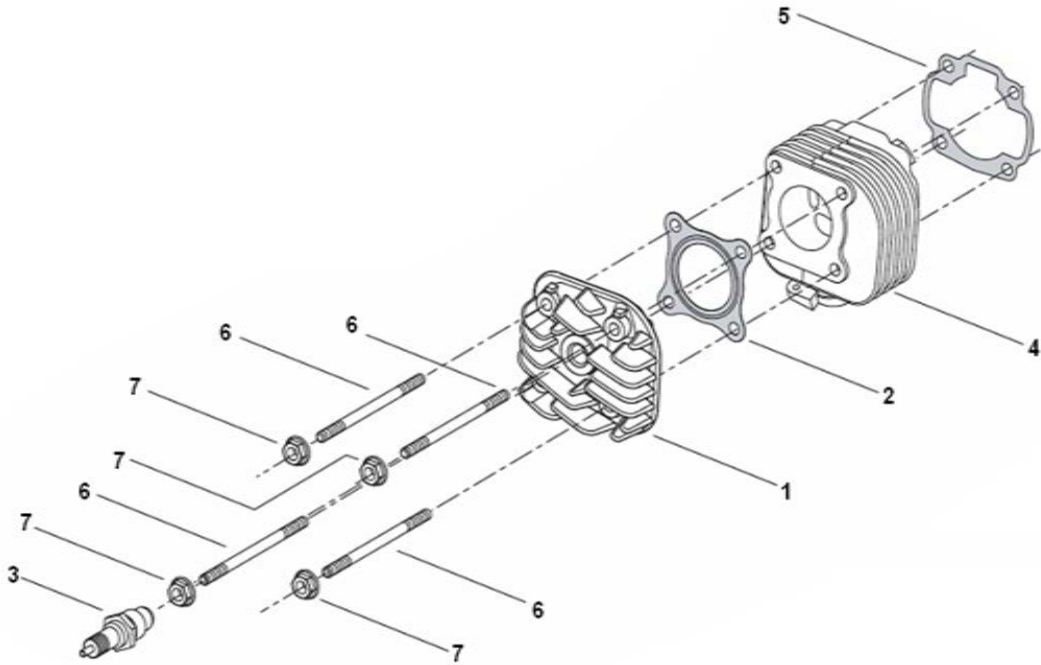
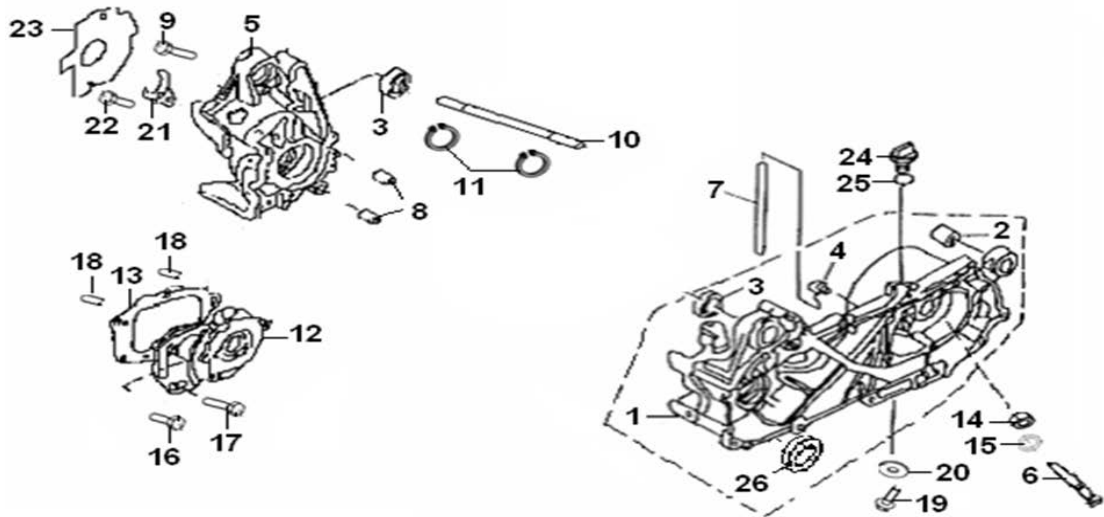


E01 CYLINDER HEAD ASSY



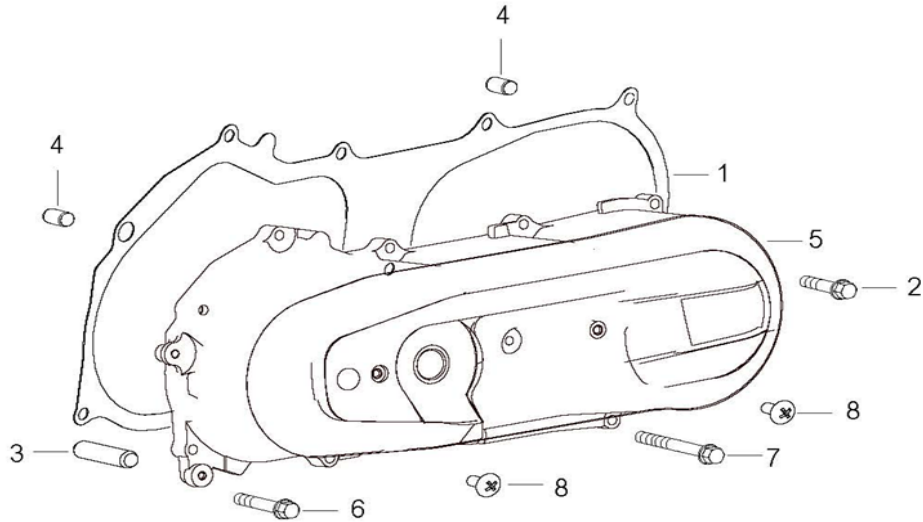
NO.	Customer No.	EN DESCRIPTION	QTY.
E01-1	10906116002X	HEAD, CYLINDER	1
E01-2	109071160000	GASKET, CYLINDER HEAD	1
E01-3	299072090030	SPARK PLUG(NGK,BR8HSA)	1
E01-4	139031160000	CYLINDER COMP	1
E01-5	139021160030	GASKET, CYLINDER	1
E01-6	15910116001X	STUD BOLT	4
E01-7	27007208001X	NUT	4

E02 CRANKCASE ASSY



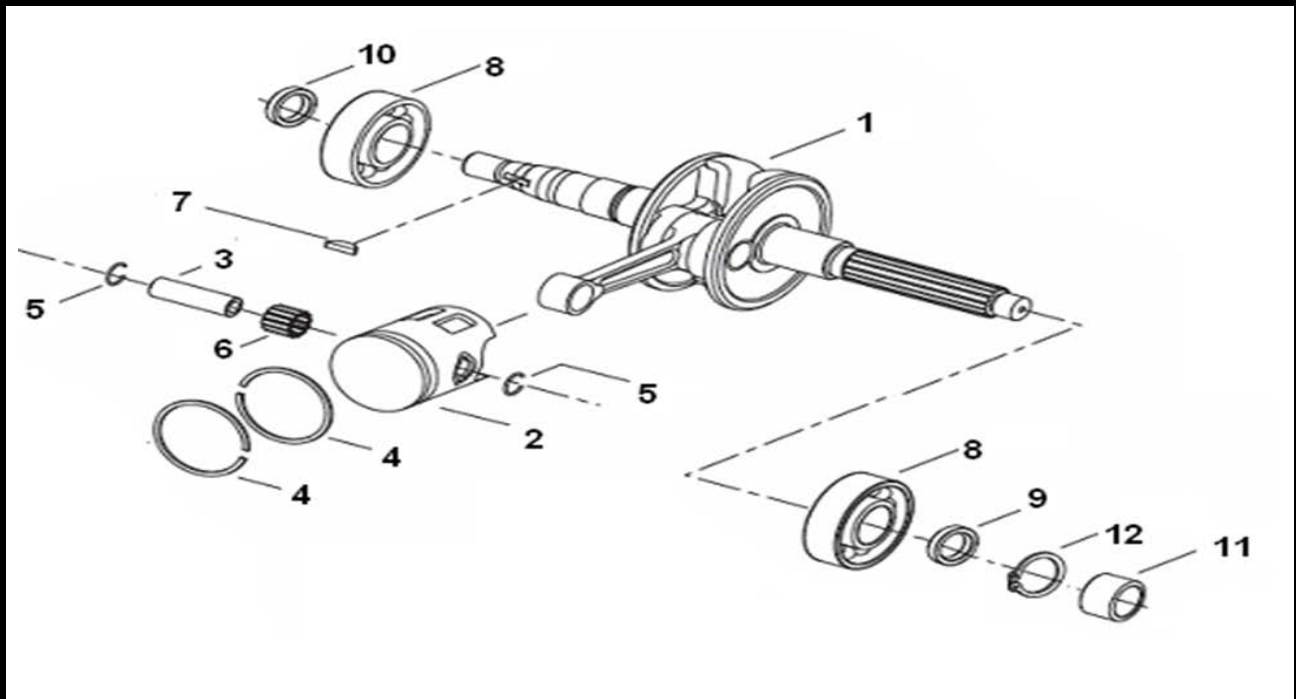
NO.	Customer No.	EN DESCRIPTION	QTY.
E02-1	159041040001	CRANKCASE, LH	1
E02-2	150012080000	BUSH,ENGINE MOUNTING	1
E02-3	B12016000300	BEARING	2
E02-4	150052080000	BREATHER PLUG	1
E02-5	159051160000	CRANKCASE, RH	1
E02-6	250012080000	BRAKE SHOE ANCHOR PIN ASSY	1
E02-7	220062080000	HOSE	1
E02-8	150092080000	DOWEL PIN 12X16	2
E02-9	B01070603563	SCREW M6X35	4
E02-10	150031160000	AXLE,engine mount	1
E02-11	B08010001701	CIRCLIP	2
E02-12	20011208056X	COVER, GEAR BOX	1
E02-13	210012080040	GASKET, GEAR BOX	1
E02-14	B04170800052	NUT	1
E02-15	160223070000	O RING	1
E02-16	B01070603063	SCREW M6X30	2
E02-17	B01070602263	SCREW M6X22	3
E02-18	150083070000	DOWEL PIN 10X14	2
E02-19	22007208002X	FLANGE BOLT	1
E02-20	210013050000	WASHER	1
E02-21	150102080000	HOLDER	1
E02-22	B01070601263	SCREW M6X12	1
E02-23	150062080030	GASKET	1
E02-24	220032080000	OIL PLUG	1
E02-25	220042080000	O-RING	1
E02-26	150032080000	SHAFT COLLAR	1

E03 SIDECOVER ASSY



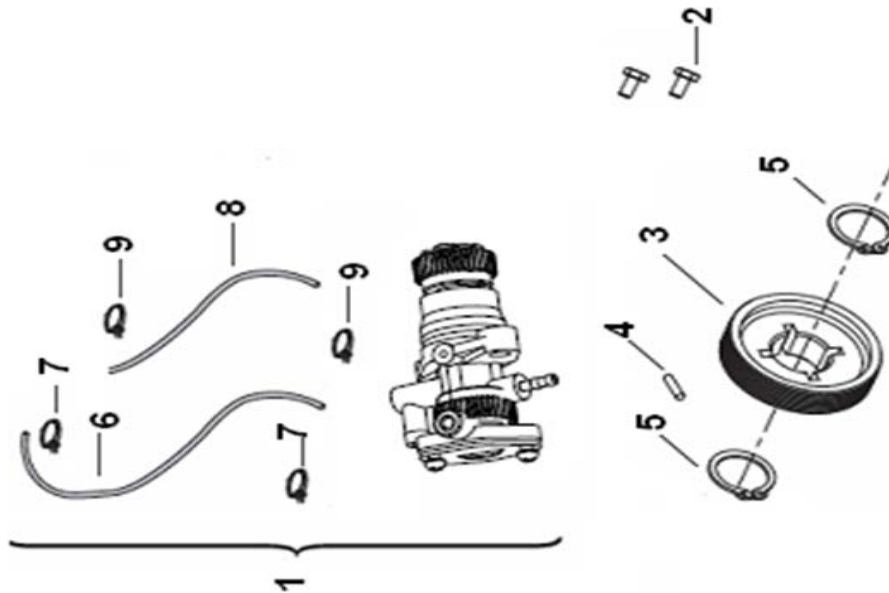
NO.	Customer No.	EN DESCRIPTION	QTY.
E03-1	169072080030	GASKET, SIDE COVER	1
E03-2	169022080100	SIDE COVER SILVER	1
E03-3	150092080000	SHAFT	1
E03-4	150083070000	DOWEL PIN	2
E03-5	B01070602564	SCREW M6X25	8
E03-6	B01070603564	SCREW	2
E03-7	B01070606564	PAN HEAD SCREW	1
E03-8	B02060601224	STOPPER	1

E04 PISTON CRANKSHAFT CONNECTING ROD ASSY



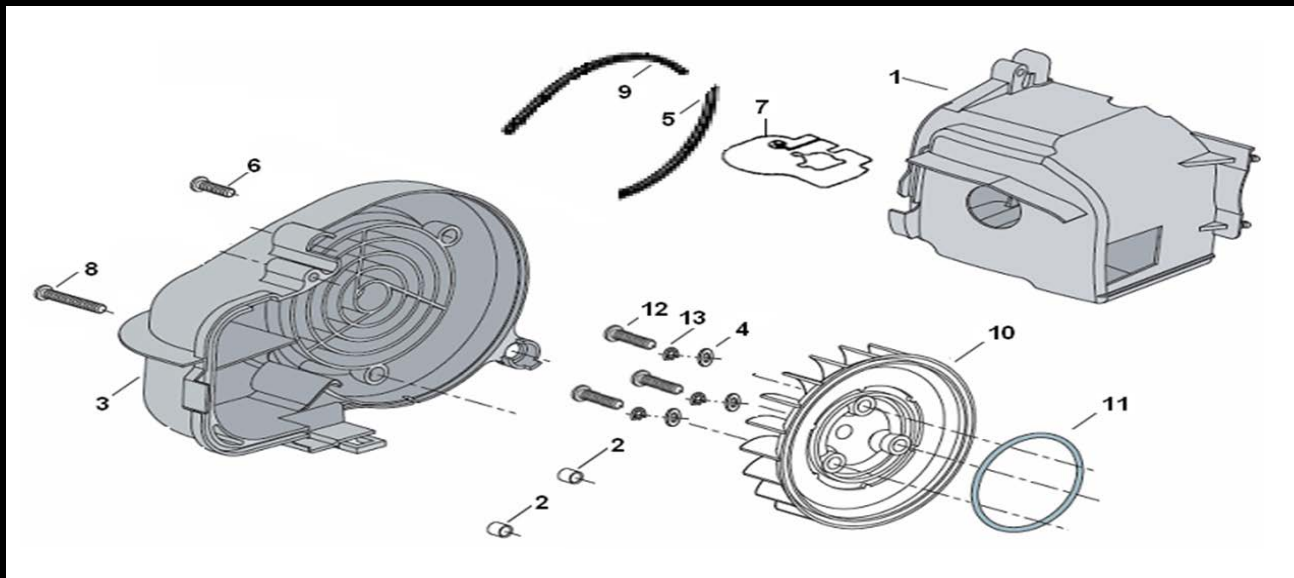
NO.	Customer No.	EN DESCRIPTION	QTY.
E04-1	179011160010	CRANKSHAFT, ASSY	1
E04-2	179131070022	PISTON ASSY	1
E04-3	179141160000	PISTON PIN	1
E04-4	170021160000	PISTON RING	2
E04-5	170092080000	CIRCLIP	2
E04-6	170031160000	NEEDLE BEARING	1
E04-7	B11810305013	WOODRUFF KEY	1
E04-8	B12016020404	BALL BEARING	2
E04-9	170012080000	OIL SEAL	1
E04-10	150082080000	OIL SEAL ASSY	1
E04-11	17008208001X	COLLAR	1
E04-12	170022080000	CIRCLIP	1

E05 OIL PUMP ASSY



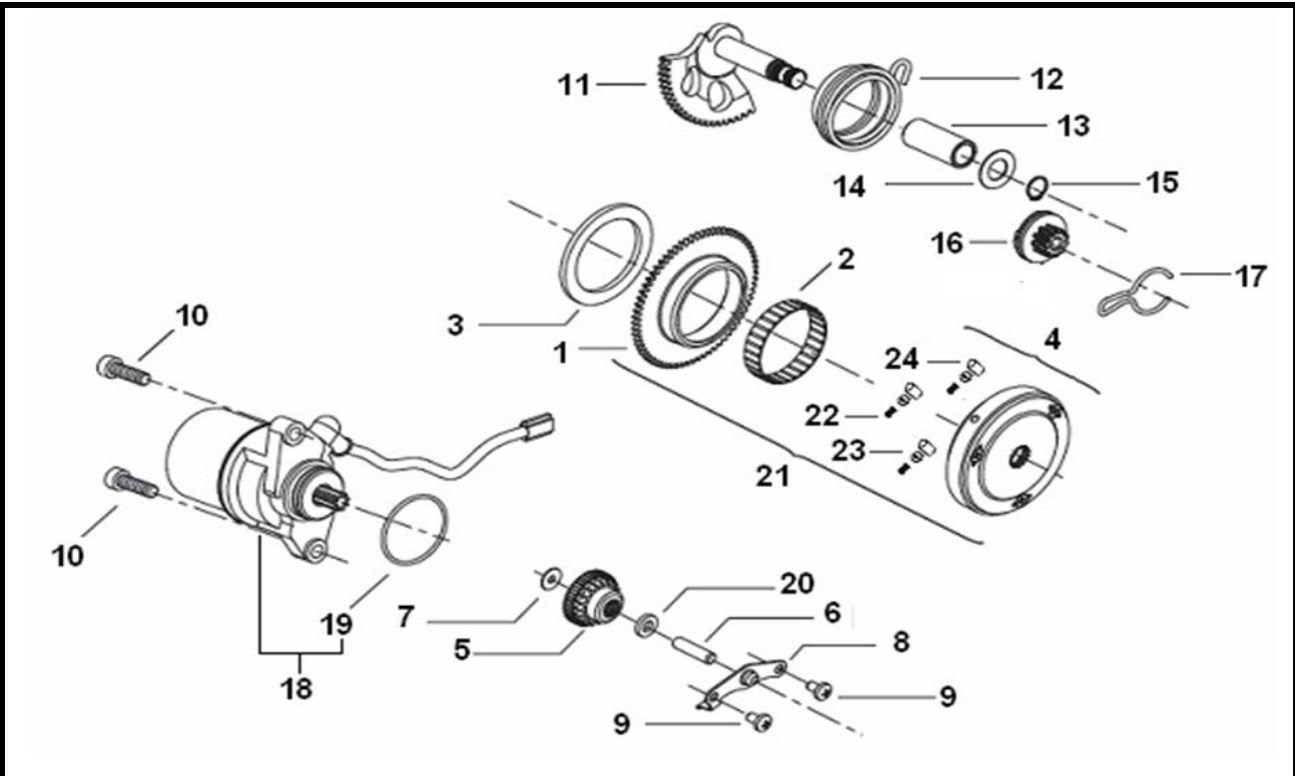
NO.	Customer No.	EN DESCRIPTION	QTY.
E05-1	269011070111	OIL PUMP ASSY,automatic pumb	1
E05-2	B02040501463	SCREW	2
E05-3	170112080000	PUMP DRIVE GEAR	1
E05-4	B091403014B0	PIN	1
E05-5	170122080000	CIRCLIP	2
E05-6	260201070000	HOSE,OIL INLET	1
E05-7	260232080001	HOSE CLIP	2
E05-8	260021070000	HOSE,OIL OUTLET	1
E05-9	260242080001	HOSE CLIP	2

E06 AIR COOLING SYSTEM



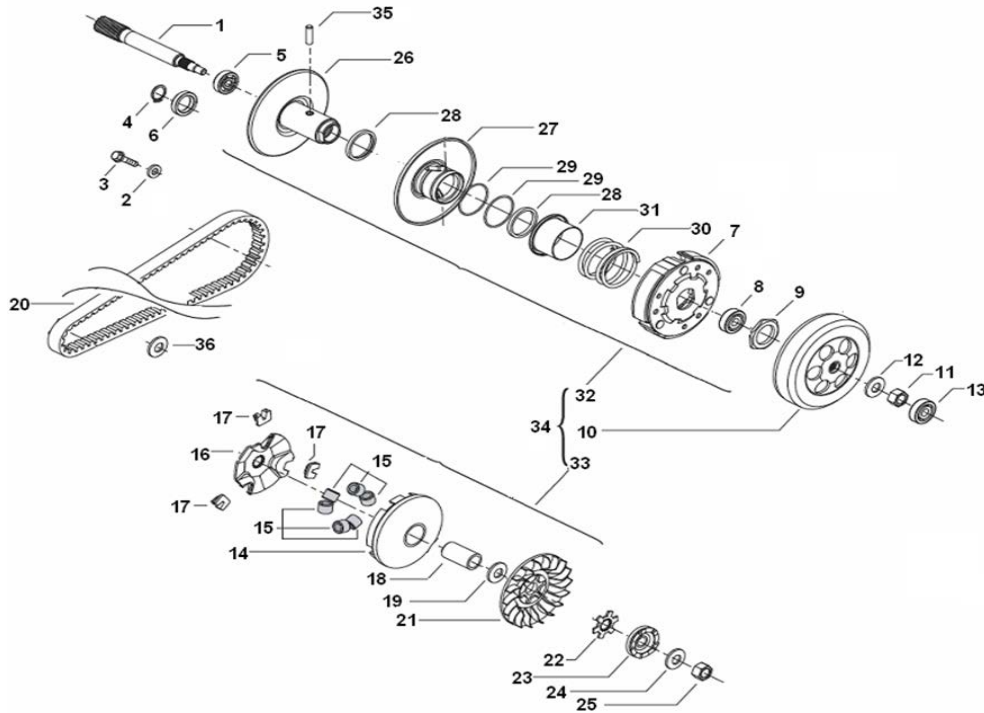
NO.	Customer No.	EN DESCRIPTION	QTY.
E06-1	270011160000	COWLING,cylinder	1
E06-2	150022080000	GROMMET	2
E06-3	270031040010	COVER ASSY (FAN),NEW TYPE	1
E06-4	B07030000603	WASHER ϕ 6	3
E06-5	270122080020	BEADING (RUBBER)	1
E06-6	B02050602063	BOLT M6X20	2
E06-7	270052080000	DUST COVER (RUBBER)	1
E06-8	B05035504004	SCREW ST5.5X40-F	1
E06-9	270122080010	BEADING (RUBBER)	1
E06-10	27903116002Z	FAN ASSY	1
E06-11	270022080000	RUBBER RING 70X3.1	1
E06-12	B01070601663	SCREW M6X16	3
E06-13	B07000000601	SPRING WASHER ϕ 6	3

E07 KICK STARTER ASSY



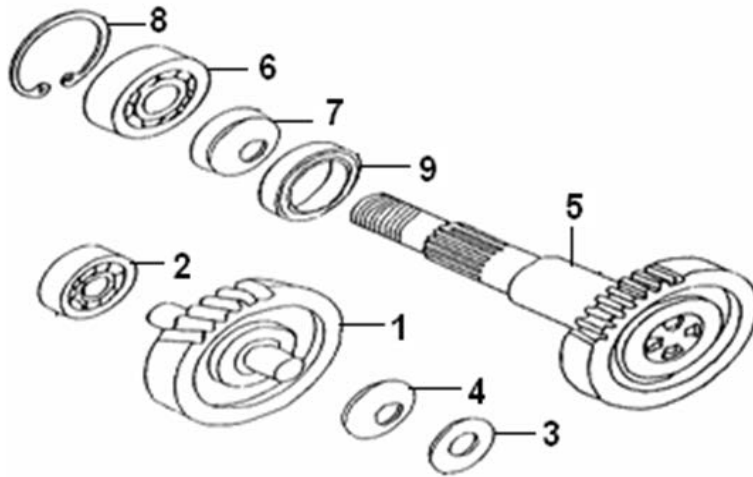
NO.	Customer No.	EN DESCRIPTION	QTY.
E07-1	200022080000	START GEAR ASSY	1
E07-2	200012080000	NEEDLE BEARING	1
E07-3	24003208001X	THRUST WASHER	1
E07-4	249092080001	STARTER CLUTCH ASSY.COMP	1
E07-5	249022080000	DRIVEN GEAR,STARTER	1
E07-6	150092080000	IDLE GEAR SHAFT	1
E07-7	24002208001X	PLATE WASHER	1
E07-8	24001208003X	IDLE GEAR HOLDER	1
E07-9	B01070601063	SCREW	2
E07-10	B01070602064	SCREW	2
E07-11	259012080000	SHAFT, kick starter	1
E07-12	250042080000	SPRING	1
E07-13	250022080000	BUSH	1
E07-14	250052080000	WASHER ,kick starter	1
E07-15	B080100015A0	CIRCLIP	1
E07-16	250062080000	KICK PINION ASSY	1
E07-17	250032080000	CLIP	1
E07-18	249012080010	STARTING MOTOR ASSY	1
E07-19	B190102150A0	O-RING	1
E07-20	24004208001X	PLATE WASHER	1
E07-21	200032080001	START CLUTCH ASSY, COMP.	1
E07-22	200082080001	SPRING	3
E07-23	200072080001	CAP	3
E07-24	200062080001	ROLLER	3

E08 CLUTCH ASSY.



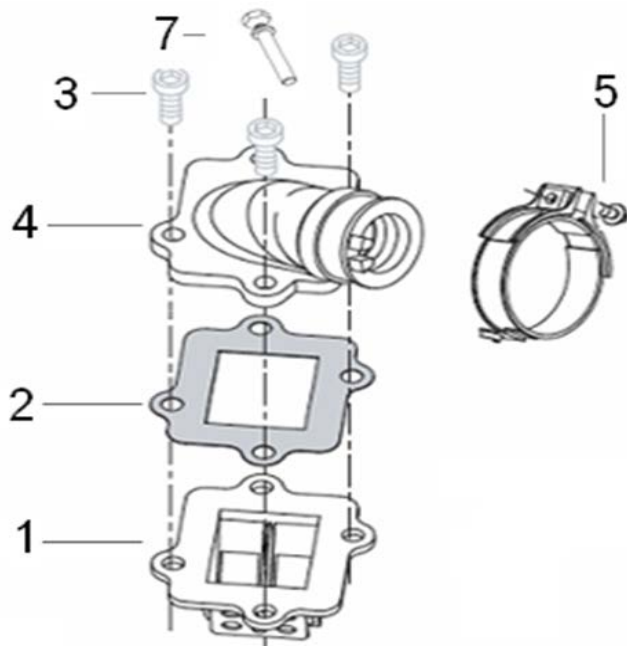
NO.	Customer No.	EN DESCRIPTION	QTY.
E08-1	220031040000	PRIMARY DRIVE SHAFT new	1
E08-2	200142080000	PLATE WASHER	1
E08-3	B01070801263	PAN HEAD SCREW	1
E08-4	B08010001701	CIRCLIP	1
E08-5	B12016000303	ROLING BEARING	1
E08-6	200122080000	OIL SEAL	1
E08-7	200091040000	CLUTCH ASSY,shoe	1
E08-8	200222080000	BALL BEARING 6003	1
E08-9	200282080000	NUT	1
E08-10	200262080000	CLUTCH DRUM	1
E08-11	20029208002X	NUT	1
E08-12	200492080000	RING $\phi 5.5 \times 1.5$	2
E08-13	120012080000	BEARING 8X28X8	1
E08-14	200542080000	FACE, movable drive	1
E08-15	220141070000	ROLLER	6
E08-16	200352080000	PLATE, movable drive	1
E08-17	200342080000	DAMPER	3
E08-18	200362080000	COLLAR	1
E08-19	200021160000	WASHER	1
E08-20	229011160020	V BELT, DRIVE (made in china)	1
E08-21	200372080000	FACE, FIXED DRIVE	1
E08-22	200382080000	STAR WASHER	1
E08-23	20031208002X	RATCHET (STARTING)	1
E08-24	17007208001X	WASHER, SPRING	1
E08-25	B04031212513	NUT	1
E08-26	200152080000	FACE, FIXED DRIVEN	1
E08-27	200162080000	FACE, MOVABLE DRIVEN	1
E08-28	200392080000	OIL SEAL	2
E08-29	200202080000	O-RING	2
E08-30	200071040000	SPRING	1
E08-31	200182080000	SEAT, SPRING	1
E08-32	200071040010	DRIVEN PULLEY COMP.	1
E08-33	229021160030	DRIVE PULLEY COMP.	1
E08-34	209001040040	SHIFT ASSY	1
E08-35	200192080000	PIN, GUIDE	2
E08-36	200011070013	WASHER 7.5mm	1

E09 TRANSMISSION SYSTEM ASSY



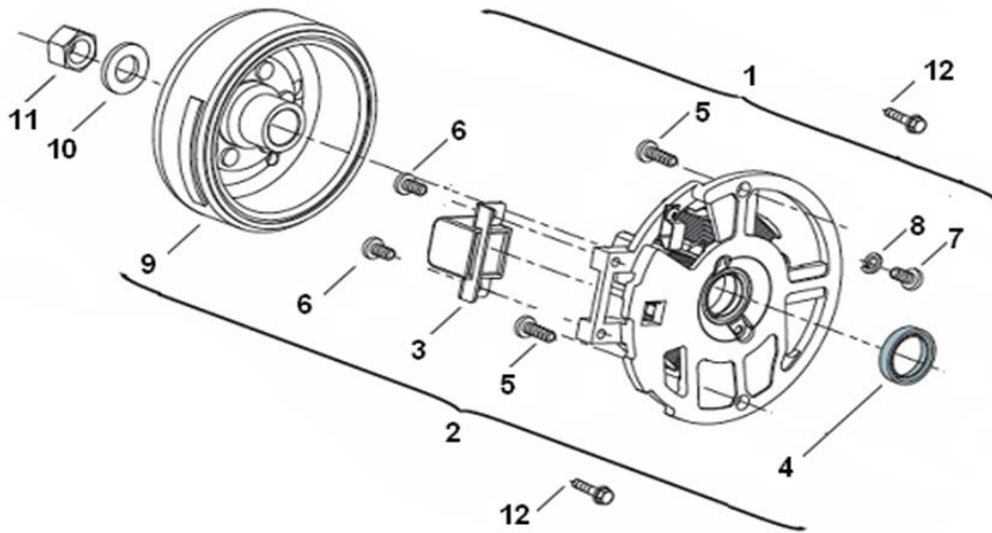
NO.	Customer No.	EN DESCRIPTION	QTY.
E09-1	229061160000	SHAFT, IDLE	1
E09-2	B12016020101	BEARING 6201	1
E09-3	20032208001X	PLATE WASHER12	1
E09-4	20033208001X	WASHER, CONICAL	1
E09-5	229081160000	DRIVEN SHAFT(GEAR BOX)	1
E09-6	B12016000400	BEARING	1
E09-7	220012080000	OIL SEAL	1
E09-8	170022080000	CIRCLIP	1
E09-9	170032080000	NEEDLE BEARING	1

E10 REED VALVE ASSY



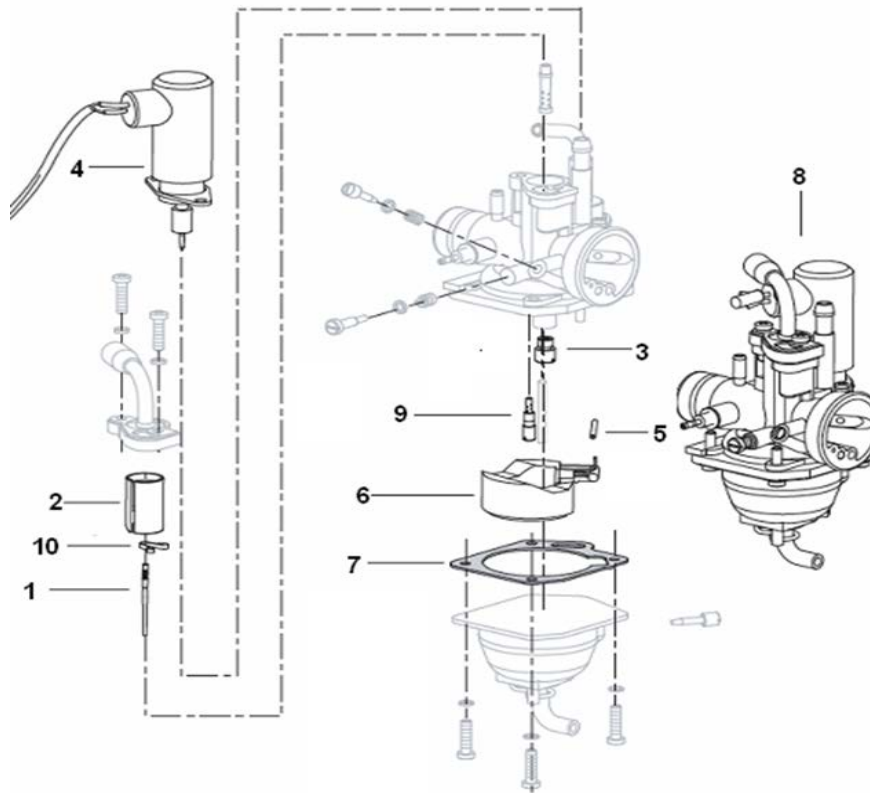
NO.	Customer No.	EN DESCRIPTION	QTY.
E10-1	119002080020	REED VALVE ASSY	1
E10-2	110032080030	VALVE SEAT GASKET	1
E10-3	110012080000	PIPE,INTAKE	1
E10-4	B01070602064	SCREWM6X20	3
E10-5	110022080010	CLIP	1
E10-7	15002116001X	SCREW	1

E11 MAGNETO ASSY



NO.	Customer No.	EN DESCRIPTION	QTY.
E11-1	299031070001	COIL ASSY	1
E11-2	299022080024	MAGNETO ASSY	1
E11-3	290032080000	PULSE TRIGGER	1
E11-4	29012080000	OIL SEAT	1
E11-5	B02000502522	SCREW	2
E11-6	330221040000	SCREW	2
E11-7	330211040000	SCREW	1
E11-8	B07000000400	SPRING WASHER	1
E11-9	299022080014	FLY WHEEL ASSY	1
E11-10	B07030001203	WASHER	1
E11-11	27002305001X	NUT	1
E11-12	B01070601663	NUT	2

E12 CARBURETOR ASSY 45km



NO.	Customer No.	EN DESCRIPTION	QTY.
E12-1	3324205E0000	NEEDLE, JET	1
E12-2	3322105E0000	VALVE,PISTON	1
E12-3	3311505E0012	JET, MAIN 60#	1
E12-4	3360105E0000	ENRICH VALVE	1
E12-5	3340605E0000	PIN, FLOAT	1
E12-6	3340105E0000	FLOAT	1
E12-7	3351405E0000	GASKET	1
E12-8	3390005E0692	CARBURETOR ASSY MJ60#,NJ22.5# mark:JB29	1
E12-9	3312405E0001	JET,IDLE	1
E12-10	3327405E0000	CLIPMM,V SHAPE	1