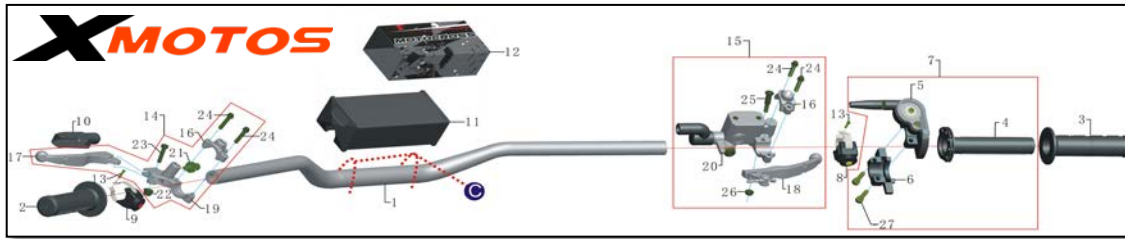
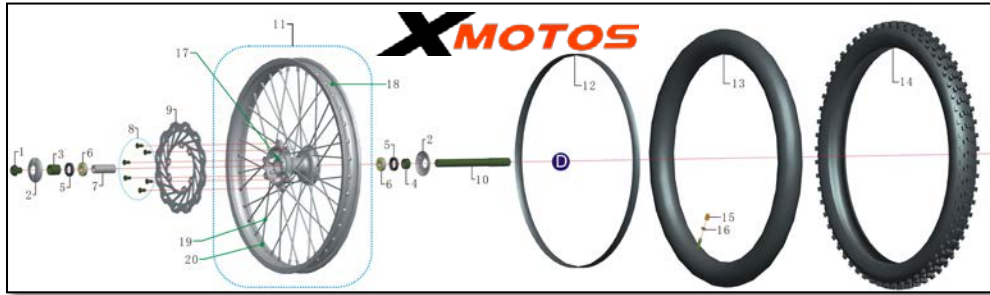


XZ250R (XB-37) (3.01.2011 Ex.6.7)



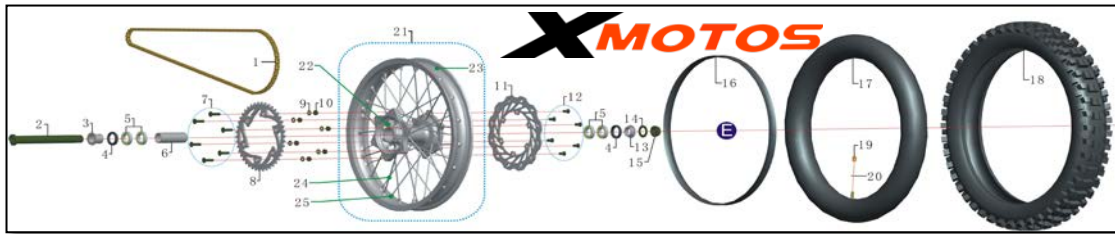
HANDLE BAR ASSY.

Ref. No.	PART No.	DESCRIPTION	Qty.
1	03001007205000	handel bar, tapered alloy	1
2	03007101010400	grip, silicone, LH	1
3	03008101010400	grip, silicone, RH	1
4	03010010110001-1	insert, throttle	1
5	03010010110001-2	housing, throttle, top	1
6	03010010110001-3	housing, throttle, bottom	1
7	03010010110001	housing, throttle assy.	1
8	05024011000000	star switch	1
9	05025011000000	stop switch	1
10	06100005014100	cover, adjuster, clutch	1
11	10011000500000	foam padding, crossbar	1
12	10010014020100	cover, foam padding	1
13	GB/T70.2M4*14	bolt M4*14	2
14	03011030207000	clutch lever assy.	1
15	03030050630303-1	master cylinder assy., front	1
16	03011030207000-1	bracket, lever housing, top	1
17	03011030207000-2	lever, clutch	1
18	03030050630303-2	lever, brake	1
19	03011030207000-3	bracket, lever housing, bottom	1
20	03030050630303-3	master cylinder, front (Unavailable)	1
21	03011030207000-4	adjuster, lever (Unavailable)	1
22	GB/T889M6	nut, locking M6	1
23	GB/T5783M6*25	bolt M6*25	1
24	GB/T5787M6*25	bolt, flanged M6*25	4
25	03030050630303-4	bolt, brake lever (Unavailable)	1
26	GB/T889M6	nut, locking M6	1
27	GB/T70.1M6*25	bolt M6*25	2



FRONT WHEEL ASSY.

Ref. No.	PART No.	DESCRIPTION	Qty.
1	12201235281200	bolt, flanged M16*18*1.5*Φ29	1
2	06100054011200	protector, seal, front	2
3	09010208220000	spacer, axle, Φ20*Φ26*29.5 ,LH	1
4	09010207220000	spacer, axle, Φ20*Φ26*15, RH	1
5	12160101910000	seal, dust 25*40*7	2
6	12070010016000	bearing, rim, front 6904Z	2
7	04006202040131-1	spacer, bearing Φ22*Φ20.5*65	1
8	12202105374100	bolt M8*16	6
9	03032060406000	disc, brake, front Φ240	1
10	09004003112001	axle, wheel, front Φ25*Φ20*224	1
11	04006202040131	rim assy. front, alloy 1.60 x 21"	1
11		rim assy, front, steel, 1.60 x 21"	1
11		rim assy, front, alloy, 3.0 x 17"	1
12	04017008020000	inner tube protector band 21"	1
12		inner tube protector band 17"	
13	04016010020000	inner tube 21"	1
13		inner tube 17"	1
14	04015101002010	tire, front,knobby,80/100-21	1
14		tire, front,motard,110/70-17	1
15	04018204000000	cap, air valve, alloy	1
16	GB/T6170 M8	nut m8	1
17	04010020220040	hub, front	1
18	04010010220130	rim, front 21", alloy	1
18		rim, front 21", steel	1
19	04010040210010	spokes	36
21	04010050210010	nut, spokes	36



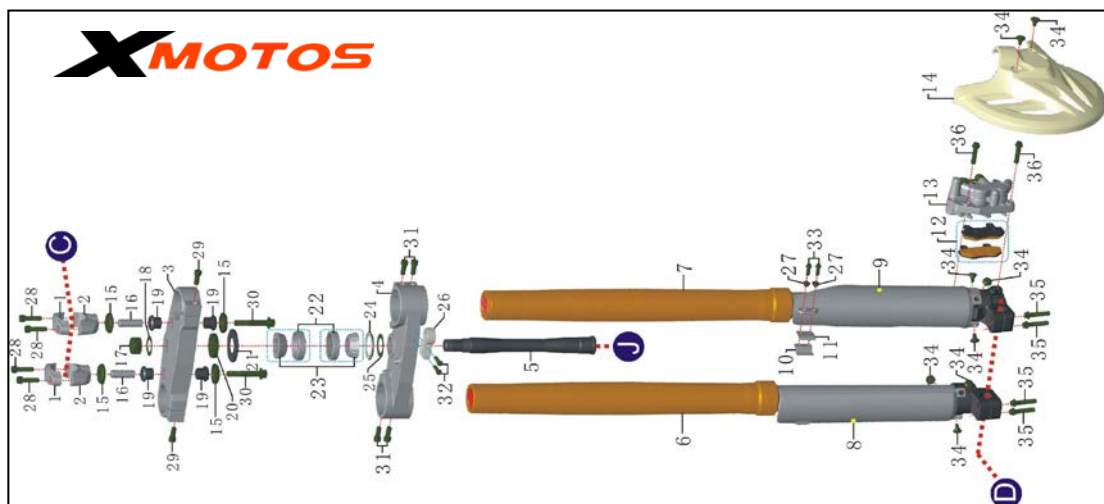
REAR WHEEL ASSY.

Ref. No.	PART No.	DESCRIPTION	Qty.
1	04020401430100	chain 520-110L	1
1		chain DX520-110L, KMC	1
2	09006002112001	axle, wheel, $\Phi 25 \times 242 \times M24 \times 1.5$	1
3	09010209220000	spacer, axle, $\Phi 25.5 \times \Phi 40 \times 22$, LH	1
4	12160101010000	seal, dust 30-42-8-3	2
5	12070010017000	bearing, rim, rear 6905Z	4
6	04007202040212-1	spacer, bearing $\Phi 23 \times \Phi 25.5 \times 93.5$	1
7	GB/T70.3 M8*35	bolt M8*35	6
8	04021410040200	sprocket, rear 520-42T/ $\Phi 125 \times \Phi 148.5$	1
9	GB/97 Φ 8	flat washer $\Phi 8$	6
10	GB/T889M8	nut-flanged, lock M8	6
11	03033060406000	disc, brake, rear $\Phi 240$	1
12	12202105374100	bolt M8*16	6
13	09010203220000	spacer, axle, $\Phi 25.5 \times \Phi 40 \times 13$, RH	1
14	12201700201200	flat washer $\Phi 25 \times \Phi 38 \times 2$	1
15	12203800091200	nut, flanged, locking M24	1
16	04017006020000	inner tube protector band, 18"	1
16	04017005020000	inner tube protector band, 17"	1
17	04016020020000	inner tube 18"	1
17	04015202302000	inner tube 17"	1
18	04015102002000	tire, rear, knobby, 110/90-18	1
18		tire, rear, motard, 130/70-17	1
19	04018204000000	cap, air valve, alloy	1
20	GB/T6170 M8	nut m8	1
21	04007202040212	rim assy, rear, alloy, 2.15 x 18"	1
21		rim assy, rear, steel, 2.15 x 18"	1
21		rim assy, rear, alloy, 3.5 x 17"	1
22	04010030220240	hub, rear	1
23	04010010220210	rim, rear, alloy 18"	1
23		rim, rear, steel 18"	1
24	04010040210020	spokes	36
25	04010050210010	nut, spokes	36



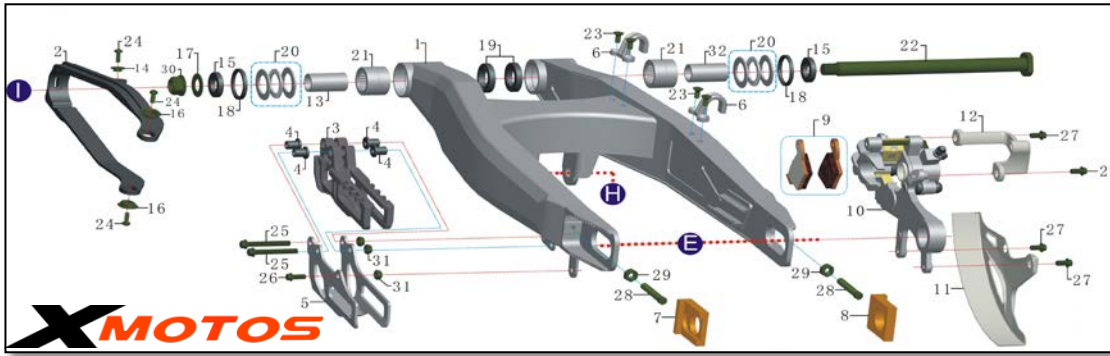
AIR FILTER ASSY.

Ref. No.	PART No.	DESCRIPTION	Qty.
1	07091221321000	heat shield	1
2	GB/T6170M5	washer M5	6
3	07039221101000	plate, duct fitting	1
4	12300320200000	clamp, duct	1
5	06100056014100	cap,air intake pipes	1
6	02015031110000	air intake pipes	1
7	02011221110001	duct, funnel	1
8	02014031110000	drain, air filter	1
9	12300110500200	clamp, drain pipe	1
10	02005221110001	damper, air filter,front	1
11	06100021024100	seal, dust, air filter	1
12	02012221110001	holder, filter element,outer	1
13	12090210051300	rivot 5 x 10	9
14	GB/97Φ5	flat washer Φ5	11
15	12090210061300	rivot 5 x 13	2
16	06100057014100	guard ,rubber	1
17	GB/T70.2M6*16	bolt M6 x 16	3
18	GB/97Φ6	flat washer Φ6	1
19	12201702501200	washer Φ8.5 x Φ22 x 4	1
20	12200600371200	nut M6	1
21	02012221110000	holder, filter element,inner	1
22	02010221110000	element, air filter	1
23	GB/96Φ6	flat washer Φ6	1
24	12201401171200	bolt M6*55	1
25	06031221030000	fairing, frame, RH	1
26	06030221030000	fairing, frame, LH	1
27	GB/T845 ST4.8*16	bolt ST4.8*16	4
28	06042011020100	mud flap	1
29	02005221110000	cover, air filter, bottom	1
30	07080221101001	bracket, battery holder (B)	1
31	07080221101000	bracket, battery holder (A)	1
32	06100046014100	battery sling	1
33	GB/T845 ST4.8*16	bolt ST4.8*16	4
34	07105221101000	bracket, battery, air filter,bottom	1



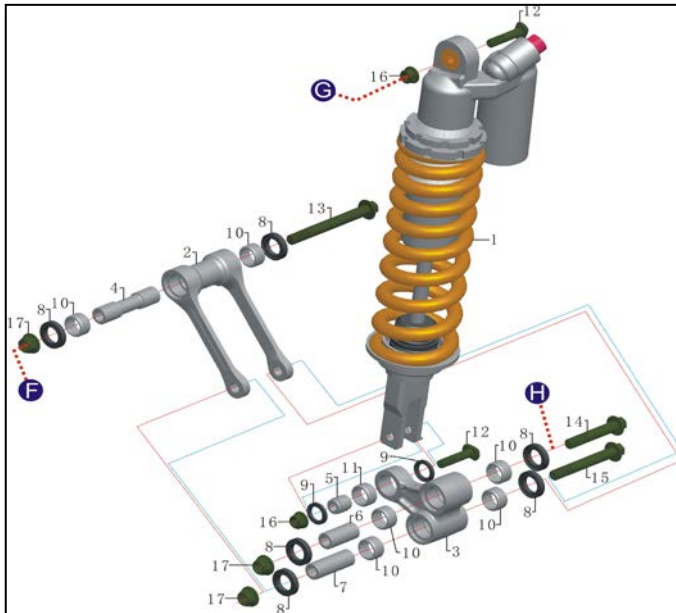
SUSPENSION, FRONT

Ref. No.	PART No.	DESCRIPTION	Qty.
1	03004022203030	riser, handle bar, top	2
2	03005022203032	riser, handle bar, bottom	2
3	03002361103050	triple clamp, top	1
4	03003361203050	triple clamp, bottom	1
5	03006220011000	steering stem	1
6	04008122704010	adjus. Inver. Xmosotos T7 Series (S), RH	1
7		adjus. Inver. Xmosotos T7 Series (S), LH	1
6		adjus. Inver. Xmosotos T8 Series (Z), RH	1
7		adjus. Inver. Xmosotos T8 Series (Z), LH	1
8	04005102060000	guard, fork, RH (protector)	1
9	04004102060000	guard, fork, LH (protector)	1
10	06100010043200	bracket, hose, bottom (inner)	1
11	06100010043201	bracket, hose, bottom (outer)	1
12	03030050630303-5	brake pads, front	2
13	03030050630303-6	caliper, brake, front	1
14	06100049011200	guard, disc brake, front (protector)	1
15	07070191118010	washer	4
16	09011111220000	spacer $\Phi 10 * \Phi 14 * 40$	2
17	12200701171600	nut, cap, steering stem M22	1
18	12201700101300	flat washer $\Phi 36 * \Phi 22.5 * 0.5$	1
19	06100037014100	buffer insert, rubber	4
20	12201901571300	locking nut M25*1	1
21	12201702201200	seal, dust, top, steering stem	1
22	12070040006000	bearing race	2
23		bearing 320/28	
24	12201702301200	seal, dust, bottom, steering stem	1
25	12201702001300	flat washer $\Phi 28.5 * \Phi 48 * 0.8$	1
26	06100025032100	bracket, brake hose, top	1
27	09011083220000	spacer $\Phi 6.5 * \Phi 9 * \Phi 13 * 6.5$	2
28	GB/T70.1M8*25	bolt M8*25	4
29	GB/T70.1M8*25	bolt M8*25	2
30	GB/T5787M10*60	bolt, flanged M10*60	2
31	GB/T70.1M8*25	bolt M8*25	4
32	GB/T5787M6*30	bolt, flanged M6*30	2
33	GB/T5787M6*16	bolt, flanged M6*16	2
34	12202100274200	bolt $\Phi 10 * 4 * M6 * 8$	8
35	GB/T5787M8*40	bolt, flanged M8*40	4
36	GB/T5787M8*40	bolt, flanged M8*40	2



SWING ARM ASSY.

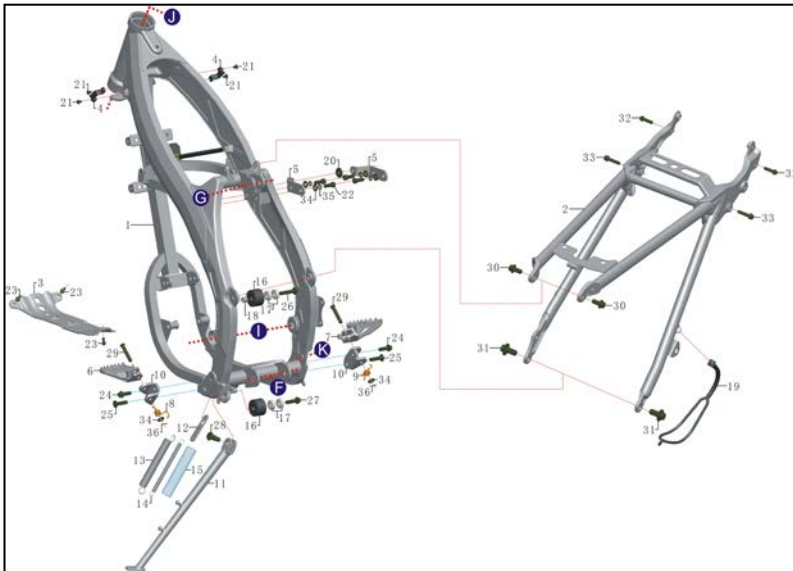
Ref. No.	PART No.	DESCRIPTION	Qty.
1	07003221102000	swing arm, rear, steel	1
1		swing arm, rear, alloy	1
2	06100001065100	guide, chain	1
3	06100006025200	chain guide insert, rubber	1
4	09011094220000	spacer $\Phi 6.5 \times \Phi 10 \times \Phi 15 \times 15.5$	4
5	07029221210000	plate, chain guide	1
6	06100030021200	bracket, brake hose	2
7	09017113040100	adjuster, wheel, LH	1
8	09017113040200	adjuster, wheel, RH	1
9	03031051410301-1	brake pads, rear	2
10	03031051410301-2	caliper, brake, rear	1
11	06100050011200	guard, disc, rear (protector)	1
12	06100051011200	guard, caliper, rear (protector)	1
13	09012024110000	spacer $\Phi 17.2 \times \Phi 22 \times 53.5$	1
14	09011085210000	spacer $\Phi 7 \times \Phi 9 \times \Phi 15 \times 4$	2
15	09011099220000	spacer $\Phi 17 \times \Phi 30 \times 6$	2
16	12202600111100	washer, oval	2
17	12201701301200	flat washer $\Phi 15 \times \Phi 27 \times 1.5$	1
18	12160101610000	seal, dust $30 \times 37 \times 4$	2
19	12160101210000	seal, dust $22 \times 35 \times 7$	2
20	12070060001000	bearing $22 \times 36 \times 6$	2
21	12070070016000	bearing NK22/26	2
22	09006001112000	bolt $\Phi 17 \times 230 \times M14 \times 1.5$	1
23	GB/T819M5*12	bolt M5*12	4
24	GB/T818M5*12	bolt M5*12	3
25	GB/T5787M6*50	bolt, flanged M6*50	2
26	GB/T5787M6*16	bolt, flanged M6*16	1
27	GB/T5787M6*12	bolt, flanged M6*12	4
28	12200206071200	rear jack bolts M8*50	2
29	12020110040712	nut M8	2
30	GB/T6187M14	nut, flanged, locking M14	1
31	GB/T889M6	nut, locking M6	3
32	09012025110000	spacer $\Phi 17.2 \times \Phi 22 \times 43.5$	1



XMOTOS

REAR SHOCK AND LINKAGE ASSY.

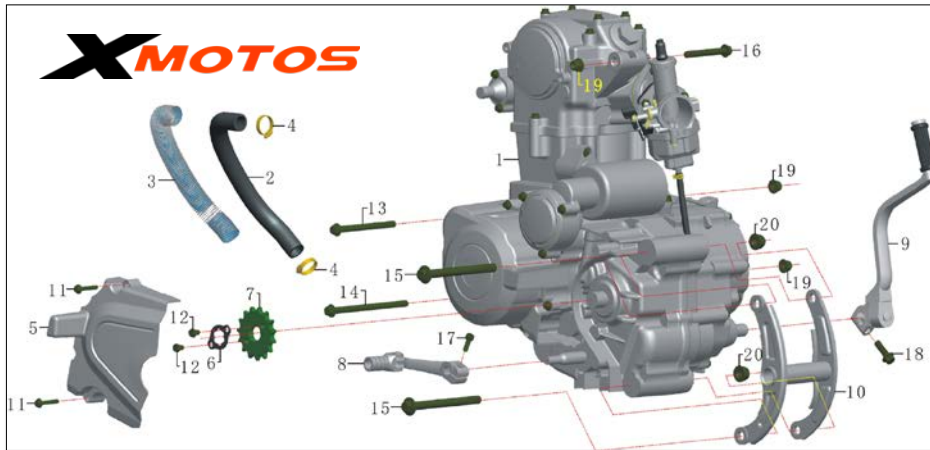
Ref. No.	PART No.	DESCRIPTION	Qty.
1	04003219202010	rear shock, T8 Series (Z)	1
1		rear shock, T7 Series (S)	1
2	07028221210000	tie rod, suspension	1
3	07031221210000	linkage, suspension	1
4	09012014110000	spacer $\Phi 12.2 * \Phi 20 * 82.5$	1
5	09011108210000	spacer $\Phi 10.1 * \Phi 17.5 * \Phi 19 * 20$	1
6	09012012110000	spacer $\Phi 12.2 * \Phi 20 * 42$	1
7	09012013110000	spacer $\Phi 12.2 * \Phi 20 * 55$	1
8	12160100110000	seal, dust 20*32*5	6
9	12160100710000	seal, dust 17.5*26*3	2
10	12070070013000	bearing HK2014	6
11	12070070015000	bearing HK2013	1
12	12202215674200	bolt M10*45	2
13	GB/T5787M12*115	bolt, flanged M12*115	1
14	GB/T5787M12*70	bolt, flanged M12*70	1
15	GB/T5787M12*95	bolt, flanged M12*95	1
16	GB/T6187M10	nut, flanged, locking M10	2
17	GB/T6187M12	nut, flanged, locking M12	3



XMOTOS

FRAME & SUB-FRAME ASSY.

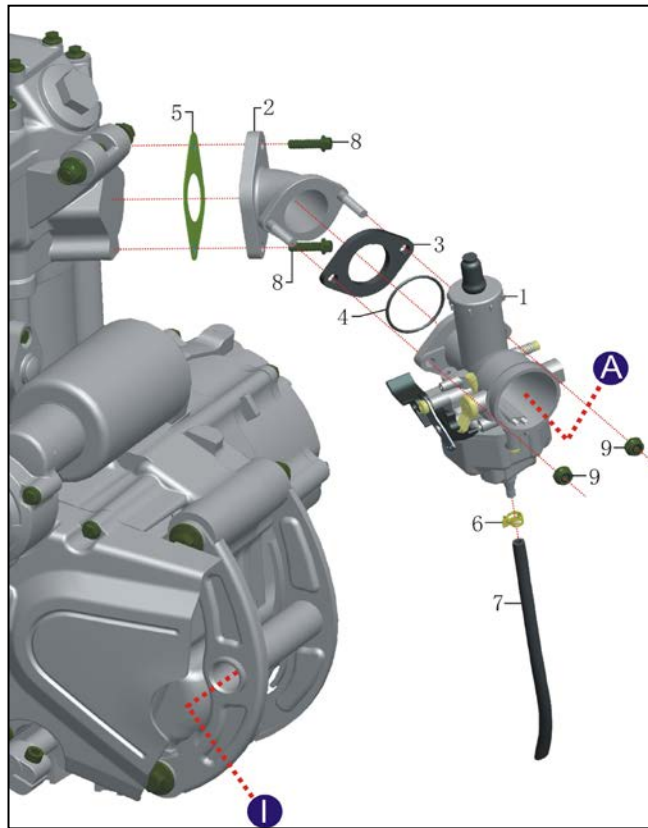
Ref. No.	PART No.	DESCRIPTION	Qty.
1	07001221102000	frame	1
2	07002221102000	sub-frame	1
3	07035221210000	engine skid plate (protector)	1
4	06100025022100	bracket, cables, wires	2
5	07033219102000	bracket, engine, top	2
6	07019081102000	foot rest, LH	1
7	07020081102000	foot rest, RH	1
8	09015203120000	spring, foot rest, LH	1
9		spring, foot rest, RH	1
10	07008081102000	bracket, foot rest	2
11	07006221112000	kick stand	1
12	07030031112000	bracket, spring, kick stand	1
13	09015106110000	main kick stand spring	1
14	09015105110000	auxiliary kick stand spring	1
15	07006221112000-1	cover, spring	1
16	06100008014101	roller, chain	2
17	12070010001000	bearing 608Z	4
18	09011003210000	spacer $\Phi 8 \times \Phi 12 \times 10$	1
19	06100046014100	sling, kickstand, rubber	1
20	12201702501200	washer $\Phi 8.5 \times \Phi 22 \times 4$	1
21	GB/T818M5*10	bolt M5*10	4
22	GB/T70.1M8*20	bolt M8*20	4
23	GB/T5787M6*16	bolt-flanged M6*16	3
24	GB/T5787M8*30	bolt, flanged M8*30	2
25	GB/T70.3 M8*30	bolt, M8*30	2
26	GB/T5787M8*40	bolt, flanged M8*40	1
27	GB/T5787M8*30	bolt, flanged M8*30	1
28	12201015271200	bolt M10*25	1
29	12080110011200	pin, rod $\Phi 8 \times 40$	2
30	GB/T5787M8*16	bolt, flanged M8*16	2
31	GB/T5787M10*20	bolt, flanged M10*20	2
32	GB/T5787M6*20	bolt, flanged M6*20	2
33	GB/T5787M6*25	bolt, flanged M6*25	2
34	GB/97 $\Phi 8$	flat washer $\Phi 8$	6
35	GB/T93 $\Phi 8$	lock washer $\Phi 8$	4
36	12080210521200	cotter pin	2



ENGINE ASSY.

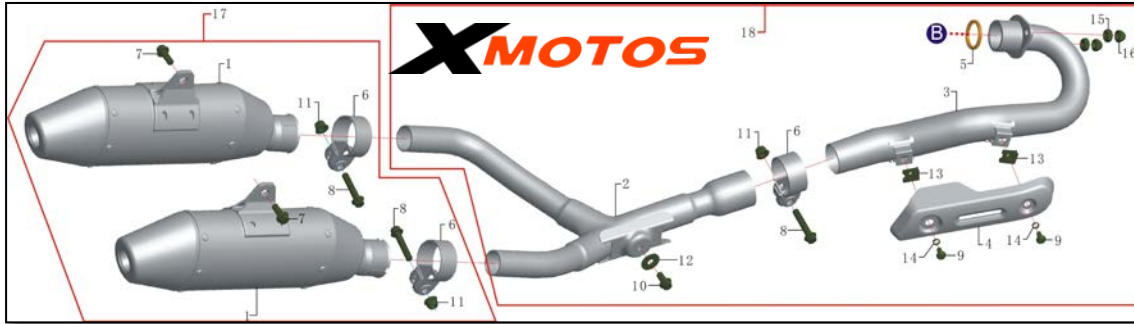
Ref. No.	PART No.	DESCRIPTION	Qty.
1	010110015340302	ZS engine CB250CC	1
2	010110015340302-1	hose, radiator	1
3	010110015340302-2	spring, hose	1
4	010110015340302-3	clamp, hose 12-22	2
5	20031501040100	cover, chain	1
6	20082304010100	locking washer, sprocket	1
7	20082203002100	sprocket, engine 520-13T	1
8	02028202040000	lever, gear shift, alloy	1
9	02025101020000	lever, kick start	1
10	07087221102000	bracket, engine, rear, lower	1
11	GB/T5787M6*20	bolt, flanged M6*20	2
12	GB/T5783M6*8	bolt M6*8	2
13	GB/T5787M8*95	bolt, flanged M8*95	1
14	GB/T5787M8*130	bolt, flanged M8*130	1
15	GB/T5787M10*115	bolt, flanged M10*115	2
16	GB/T5787M8*65	bolt, flanged M8*65	1
17	GB/T70.1M6*16	bolt M6*16	1
18	GB/T5787M8*25	bolt, flanged M8*25	1
19	GB/T6187M8	nut, flanged, locking M8	3
20	GB/T6187M10	nut, flanged, locking M10	2

XMOTOS



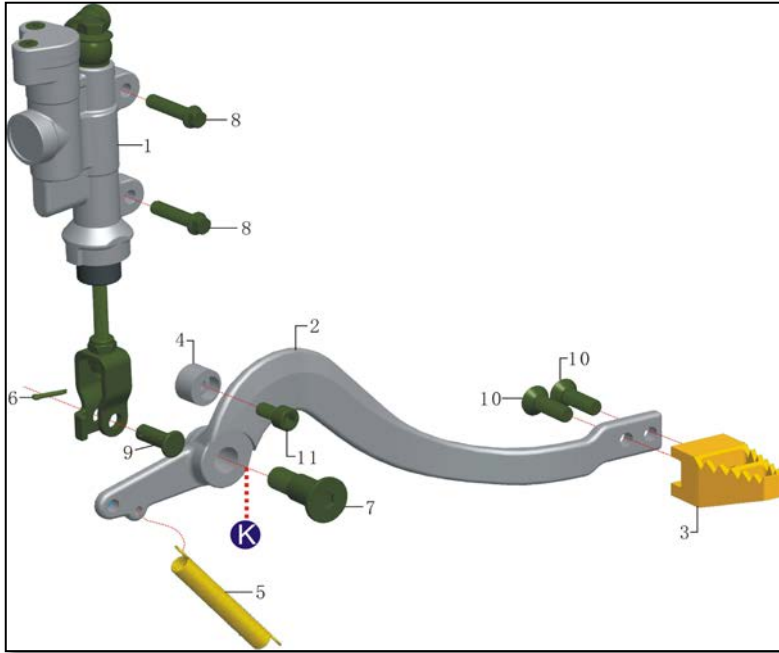
CARBURETOR ASSY.

Ref. No.	PART No.	DESCRIPTION	Qty.
1	02024010800300	carburetor (Kunfu)	1
1		carburetor (Mikuni)	1
2	010110015340302-4	manifold, air intake	1
3	20012301040100	spacer, (composite plastic)	1
4	02024010800300-1	O-ring, carburetor, (rubber)	1
5	20012401040100	gasket, carburetor	1
6	12300110100100	clamp, hose $\Phi 6$	1
7	06100029014100	hose, overflow	1
8	GB/T5787M6*20	bolt, flanged M6*20	2
9	GB/T889M6	nut, locking M6	2



EXHAUST ASSY. (DUAL)

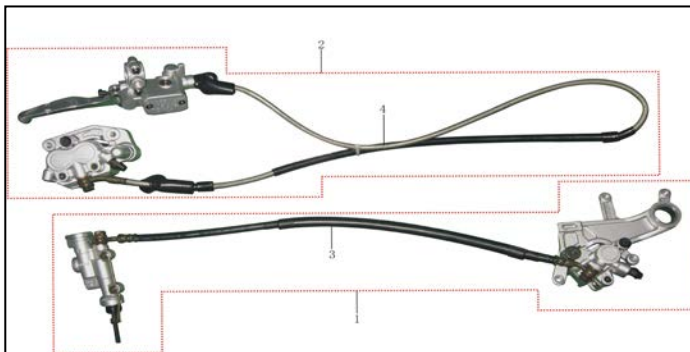
Ref. No.	PART No.	DESCRIPTION	Qty.
1	02003220350100-1	muffler, LH	1
1A		muffler, RH	1
2	02002220240100-1	muffler pipe, splitter	1
3	02002220240100-2	muffler pipe 2	1
4	02035010030100	shield, exhaust	1
5	02017002000000	seal, exhaust	1
6	02002220240100-3	clamp	3
7	GB/T5787M8*20	bolt, flanged M8*20	2
8	GB/T5787M8*35	bolt, flanged M8*35	3
9	GB/T70.2M6*12	bolt M6*12	2
10	GB/T5787M8*16	bolt, flanged M8*16	1
11	GB/T6187M8	nut, flanged, locking M8	3
12	GB/96Φ8	flat washer Φ8	1
13	12200600371200	nut M6	2
14	GB/T93Φ6	lock washer Φ6	2
15	GB/T6170M8	nut M8	2
16	GB/T802M8	nut M8	2
17	02003220350100	muffler assy.	1
18	02002220240100	muffler pipe assy.	1



XMOTOS

REAR BRAKE ASSY.

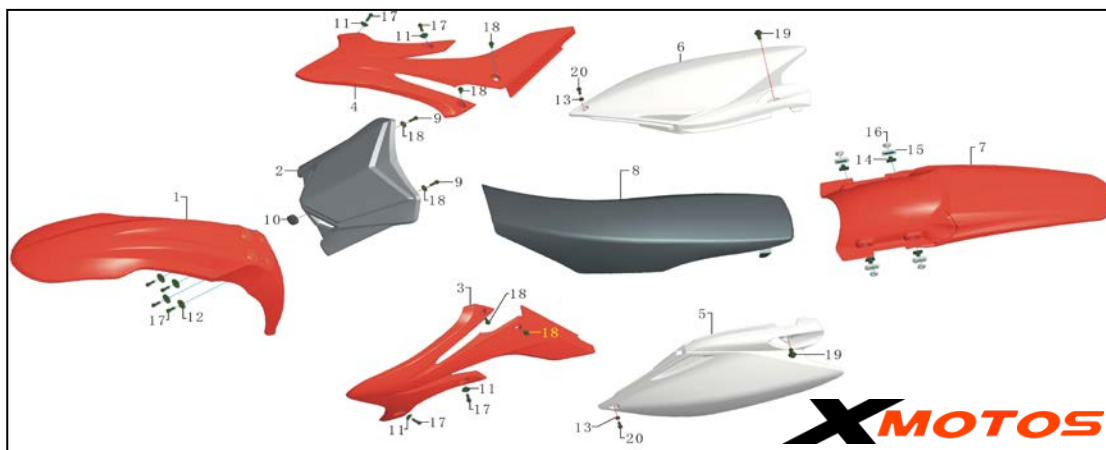
Ref. No.	PART No.	DESCRIPTION	Qty.
1	03031051410301-3	master cylinder, rear	1
2	07005220102000	lever, brake, rear	1
3	07032031211000	brake lever tip (alloy)	1
4	08225080010000	adjuster, $\Phi 6.2 * \Phi 10.5 * \Phi 16 * 9$	1
5	09015102120000	spring, bracket, brake, rear	1
6	12080210521200	cotter pin $\Phi 2$	1
7	12202015474200	bolt M10*35	1
8	GB/T5787M6*25	bolt-flanged M6*25	2
9	12080110031200	pin, lever, brake	1
10	GB/T70.3 M6*16	bolt, M6*16	2
11	GB/T70.1M6*12	bolt M6*12	1



XMOTOS

BRAKE ASSY.

Ref. No.	PART No.	DESCRIPTION	Qty.
1	03031051410301	brake assy., rear	1
2	03030050630303	brake assy., front	1
3	03031051410301-4	hose, brake, rear	1
4	03030050630303-7	hose, brake, front	1



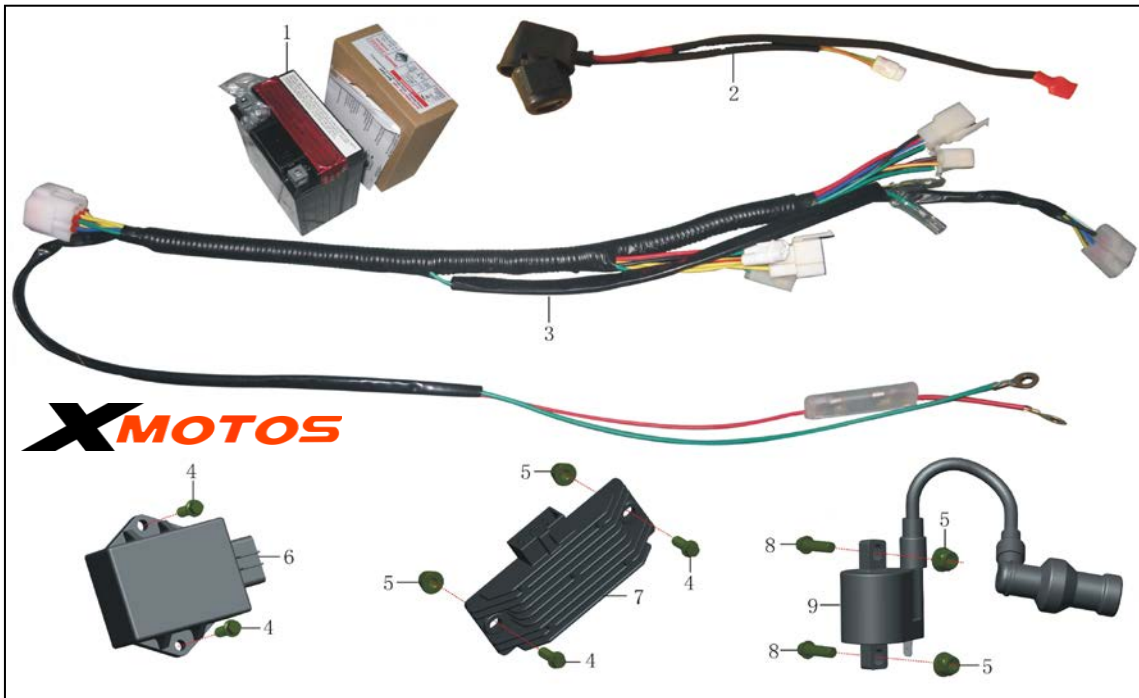
FENDER AND SEAT ASSY.

Ref. No.	PART No.	DESCRIPTION	Qty.
1	06012221030000	fender, front	1
2	06011221020000	number plate, front	1
3	06013221030000	fairing, fuel tank, LH	1
4	06014221030000	fairing, fuel tank, RH	1
5	06015221020000	fairing, rear, LH	1
6	06016221020000	fairing, rear, RH	1
7	6018221030000	fender, rear	1
8	6001222010000	seat	1
9	GB/T5787M6*16	bolt-flanged M6*16	2
10	06100055014100	pads, rubber, number plate, front	1
11	09011103220000	spacer $\Phi 7 * \Phi 12.5 * \Phi 18 * 5.2$	4
12	09011085220001	spacer $\Phi 6 * \Phi 9 * \Phi 24 * 5.5$	4
13	09011083210000	spacer $\Phi 6 * \Phi 10 * 5$	2
14	12203400371200	nut, fender, rear M6*10	4
15	06100052011200	washer plate, fender, rear 1	4
16	06100053011200	washer plate, fender, rear 2	4
17	GB/T5787M6*16	bolt, flanged M6*16	8
18	GB/96 $\Phi 6$	flat washer $\Phi 6$	2
19	12203305371200	bolt, flanged M8*16	2
20	GB/T5787M6*12	bolt, flanged M6*12	2



FUEL TANK ASSY.

Ref. No.	PART No.	DESCRIPTION	Qty.
1	GB/T5787M6*30	bolt, flanged M6*30	1
2	09011104220000	spacer $\Phi 6.3 * \Phi 10.3 * \Phi 22 * 17.5$	1
3	06100028024100	grommet, round	1
4	06100058014100	holder, fuel tank	1
5	GB/T5787M6*12	bolt, flanged M6*12	2
6	06100017011100	cap, breather hose	1
7	06100032014100	breather hose	1
8	06003011010000	cap, fuel tank, plastic	1
8		cap, fuel tank, alloy	1
9	06002221100000	fuel tank	1
10	GB/T819M6*12	bolt M6*12	1
11	06100026022100	bracket, seat	1
12	12202100274200	bolt $\Phi 10 * 4 * M6 * 8$	1
13	06100045014100	strap, fuel tank	1
14	12300110100100	clamp, hose $\Phi 6$	6
15	06100029014100	hose, fuel 1 (EPA)	1
16	GB/T5787M6*16	bolt, flanged M6*16	1
17	06040011010200	fuel pet-cock	1
18	GB/T6187M6	nut, flanged, locking M6	2
19	06100029014100	hose, fuel 2 (EPA)	1
20	GB/T5787M6*12	bolt, flanged M6*12	1
21	06041011010200	filter, fuel	1
22	06100029014100	hose, fuel 3 (EPA)	1



ELECTRICAL			
Ref. No.	PART No.	DESCRIPTION	Qty.
1	05007010200000	battery 12V, 7AH	1
2	05004101000000	solenoid, starter	1
3	05008221000400	wiring harness	1
4	GB/T70.2M6*16	bolt M6*16	2
5	GB/T6187M6	nut, flanged, locking M6	4
6	05003203040100	CDI	1
7	05005102000100	rectifier	1
8	GB/T70.2M6*20	bolt M6*20	2
9	05001311100000	Ignition coil	1

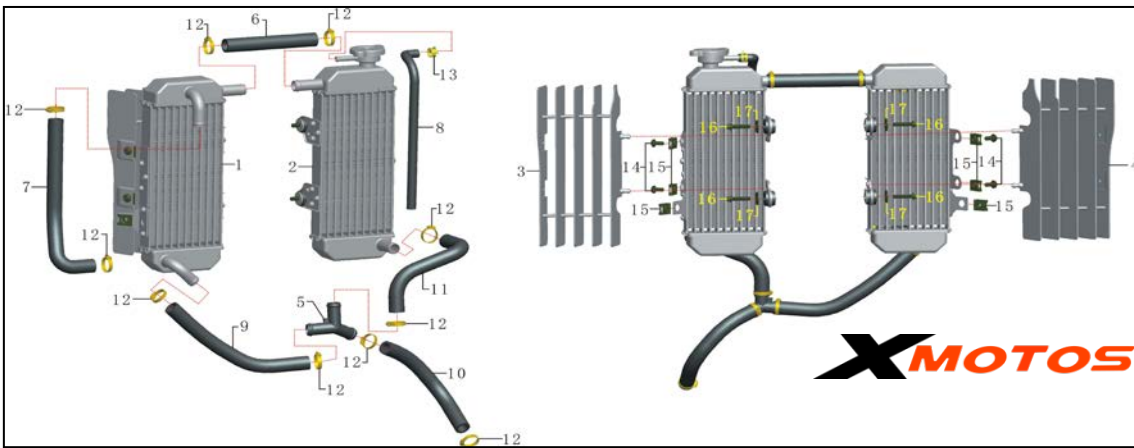


CABLES			
Ref. No.	PART No.	DESCRIPTION	Qty.
2	03020010181010	cable, throttle	1
1	03021006122010	cable, clutch	1



TOOL KIT

Ref. No.	PART No.	DESCRIPTION	Qty.
1	10030002000100	tool kit	1



RADIATOR ASSY.

Ref. No.	PART No.	DESCRIPTION	Qty.
1	02020221110000	radiator, LH	1
2		radiator, RH	1
3	06020061020000	air deflector, RH	1
4	06019061020000	air deflector, LH	1
5	06100060012100	coupler, hose	1
6	02020221110000-1	hose, top, connection 1	1
7	02020221110000-2	hose, LH, 2	1
8	02020221110000-3	hose, overflow, 3	1
9	02020221110000-4	hose, bottom, LH 4	1
10	02020221110000-5	hose, inlet, 5	1
11	02020221110000-6	hose, inlet, 6	1
12	02020221110000-7	clamp, hose 12-22	10
13	02020221110000-8	clamp, hose	1
14	GB/T70.2M6*12	bolt M6*12	4
15	12200600371200	nut M6	6
16	GB/T5787M6*25	bolt, flanged M6*25	4
17	GB/96Φ6	flat washer Φ6	4

GRAPHICS KIT

Ref. No.	PART No.	DESCRIPTION	Qty.
1	10010008280011	graphics kit (513 - JAPAN)	1
2		graphics kit (3M)	1