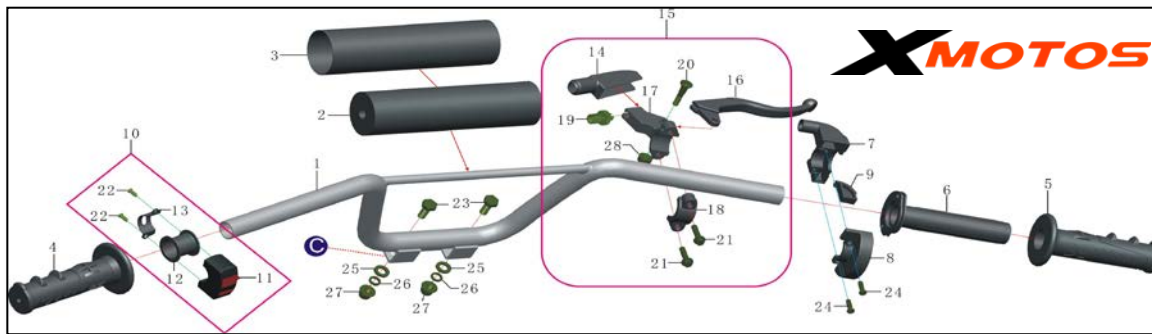
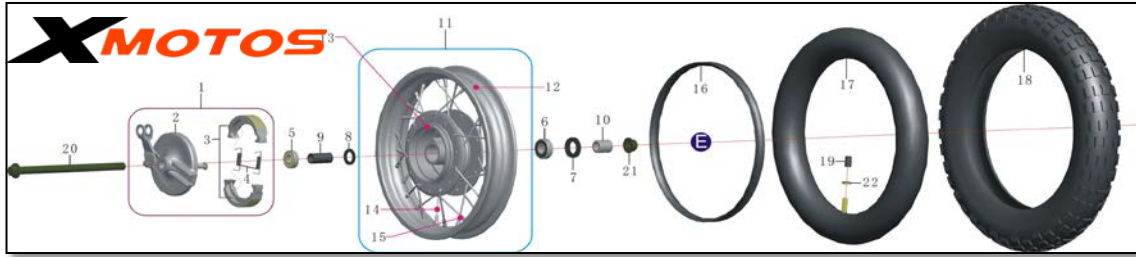


XT70 (XB-21A)



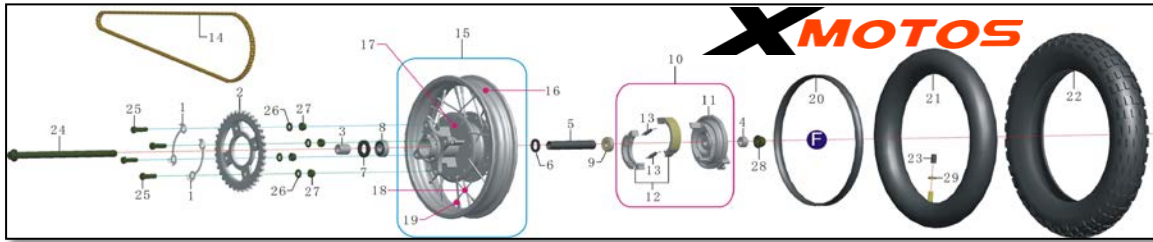
HANDLE BAR ASSY.

Ref. No.	PART No.	DESCRIPTION	Qty.
1	03001001112000	handel bar	1
2	10011000400000	foam padding, crossbar	1
3	10010014020301	cover, foam padding	1
4	03007101010100	grip, LH	1
5	03008101010100	grip, RH	1
6	03009101000100	insert throttle handle	1
7	03013010110000	housing, throttle, top	1
8	03014010110000	housing, throttle, bottom	1
9	03015010110000	guide, throttle cable	1
10	05025011000100	stop switch assy.	1
11	05025011000100-1	stop switch (Unavailable)	1
12	06100065014100	sleeve, stop switch	1
13	05025011000100-2	bracket, stop switch(Unavailable)	1
14	06100005014100	cover, lever, brake	1
15	03012010108000	lever, brake assy.	1
16	03012010108000-1	lever, brake	1
17	03012010108000-2	housing, brake lever (NLA)	1
18	03012010108000-3	bracket, lever housing (NLA)	1
19	03012010108000-4	brake lever adjuster (NLA)	1
20	03012010108000-5	bolt, brake lever (NLA)	1
21	GB/T5787M6*25	bolt, flanged M6*25	2
22	GB/T845ST3.6*12	bolt, ST3.6*12	2
23	03001001112000-1	bolt M8*20	2
24	GB/T818 M5*16	bolt M5*16	2
25	GB/T97Φ8	flat washer Φ8	2
26	GB/T93Φ8	lock washer Φ8	2
27	GB/T6187M8	nut, flanged, locking M8	2



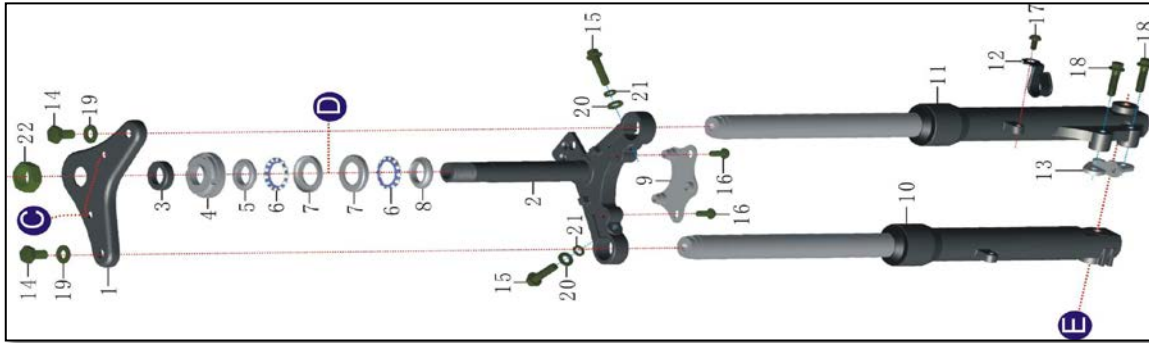
FRONT WHEEL ASSY.

Ref. No.	PART No.	DESCRIPTION	Qty.
1	04010060220010	brake drum assy. Front	1
2	04010060220010-1	housing, brake shoes	1
3	04010060220010-2	brake shoes	1
4	04010060220010-3	spring, shoes	2
5	12070010011000	front rim bearing 6001Z	1
6	12070010003000	front rim bearing 6201-2RS	1
7	12160100110000	seal, dust 20*32*6	1
8	04006102080010-1	centering ring	1
9	04006102080010-2	spacer $\Phi 13 * \Phi 16 * 36$	1
10	09010014210000	spacer $\Phi 12.5 * \Phi 20 * 24$	1
11	04006102080010	rim assy. Front, 1.40*10	1
12	04010010210010	rim, front 10"	1
13	04010020220080	hub, front	1
14	04010040210100	spokes	28
15	04010050210010	nut, spokes	28
16	04017001030000	inner tube protector band	1
17	04016001030000	inner tube 60/100-10	1
18	04015100103000	tire, front, 10"	1
19	04018101000000	cap, air valve	1
20	GB/T5787M12*200	bolt, flanged M12*200	1
21	GB/T6187M12	nut, flanged, locking M12	1
22	GB/T6170 M8	nut M8	1



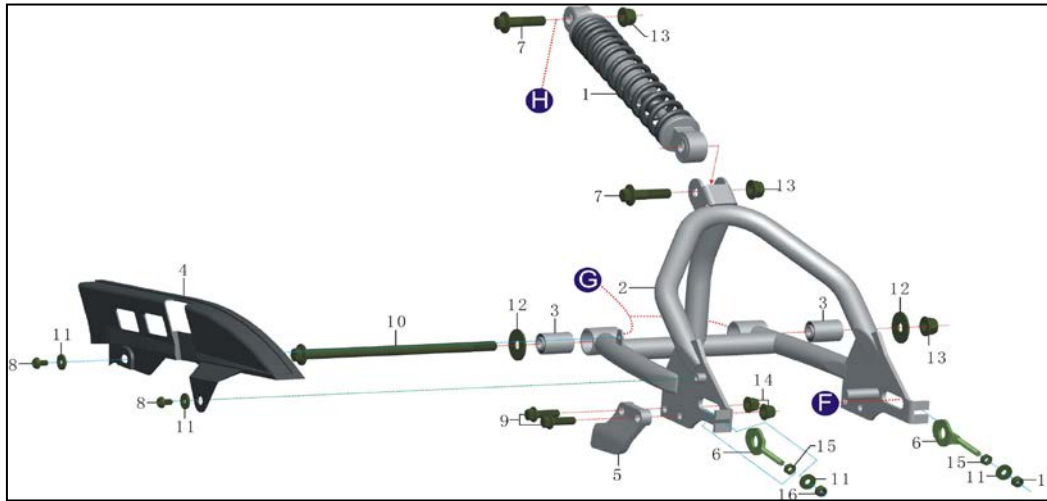
REAR WHEEL ASSY.

Ref. No.	PART No.	DESCRIPTION	Qty.
1	09016000100100	locking washer, sprocket	2
2	04021209070200	sprocket, rear 420-39T	1
3	09010013210000	spacer $\Phi 12.5 \times \Phi 20 \times 21$	1
4	09010004210000	spacer $\Phi 12.5 \times \Phi 20 \times 10$	1
5	04007102080010-1	spacer $\Phi 13 \times \Phi 16 \times 95$	1
6	04007102080010-2	centering ring	1
7	12160100110000	seal, dust 20*32*6	1
8	12070010003000	front rim bearing 6201-2RS	1
9	12070010011000	front rim bearing 6001Z	1
10	04010070220010	brake drum assy. Rear	1
11	04010070220010-1	housing, brake shoes	1
12	04010070220010-2	brake shoes	1
13	04010070220010-3	spring, shoes	2
14	04020200310100	chain 420-78L	1
15	04007102080010	rim, rear assy. 1.40*10"	1
16	04010010210010	rim, rear 10"	1
17	04010030220080	hub, rear	1
18	04010040210110	spokes	28
19	04010050210010	nut, spokes	28
20	04017001030000	inner tube protector band	1
21	04016001030000	inner tube 60/100-10	1
22	04015100103000	tire, rear, 10"	1
23	0401810100000	cap, air valve	1
24	GB/T5787M12*215	bolt, flanged M12*215	1
25	GB/T5783M8*25	bolt M8*25	4
26	GB/T97 $\Phi 8$	flat washer $\Phi 8$	4
27	GB/T889M8	nut, locking M8	4
28	GB/T6187M12	nut, flanged, locking M12	1
29	GB/T6170 M8	nut M8	1



FRONT FORK ASSY.

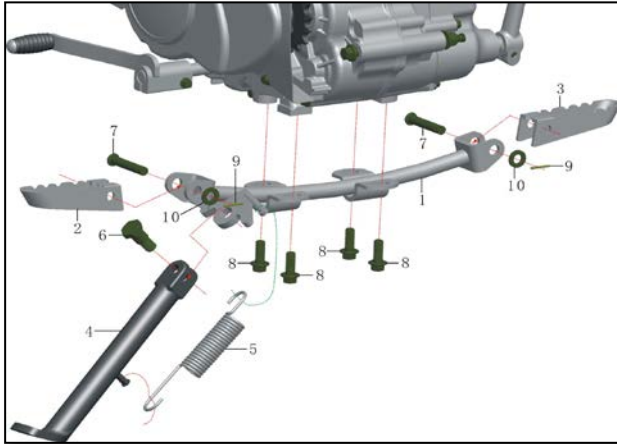
Ref. No.	PART No.	DESCRIPTION	Qty.
1	03002110101010	triple clamp, top	1
2	03003110101010	triple clamp, bottom	1
3	09011136230000	spacer $\Phi 22.5 * \Phi 25.5 * \Phi 30 * 9$	1
4	12201901171301	locking nut M22	1
5	03016001100000	stopper, bearing $\Phi 22.5$	1
6		bearing, steering stem	2
7		race, bearing	2
8		stopper, bearing $\Phi 24$	1
9	07026011101000	bracket, fender, front	1
10	04008210101010	telescopic, standard, RH	1
11		telescopic, standard, LH	1
12	06100030022100	bracket, cable	1
13	07100011101000	bracket, brake drum	1
14	04008210101010-1	bolt M10*20 (Unavailable)	2
15	GB/T5787M8*35	bolt, flanged M8*35	2
16	GB/T70.2M6*16	bolt M6*16	2
17	GB/T70.2M6*12	bolt M6*12	1
18	GB/T5787M8*30	bolt, flanged M8*30	2
19	GB/T96 Φ 10	flat washer $\Phi 10$	2
20	GB/T97 Φ 8	flat washer $\Phi 8$	2
21	GB/T93 Φ 8	lock washer $\Phi 8$	2
22	12200201171300	nut, M22	1



X
MOTOS

SWING ARM ASSY.

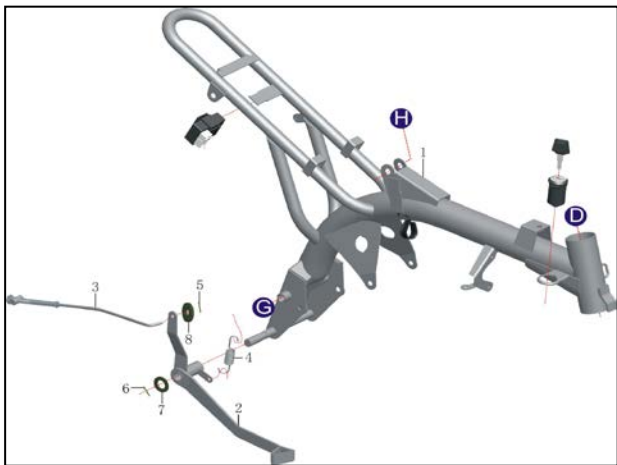
Ref. No.	PART No.	DESCRIPTION	Qty.
1	04003101101010	rear shock L=250mm	1
2	07003011102000	swing arm, rear	1
3	07003011102000-1	bushing, swing arm	2
4	06024021010000	guard, chain, top	1
5	06100007012200	guard, chain, bottom	1
6	09017221010000	adjuster, wheel	2
7	GB/T5787M10*40	bolt, flanged M10*40	2
8	GB/T70.2M6*10	bolt M6*10	2
9	GB/T5787M8*25	bolt, flanged M8*25	2
10	GB/T5787M10*200	bolt, flanged M10*200	1
11	GB/T96Φ6	flat washer Φ6	4
12	GB/T96Φ10	flat washer Φ10	2
13	GB/T6187M10	nut, flanged, locking M10	3
14	GB/T6187M8	nut, flanged, locking M8	2
15	GB/T6170M6	nut M6	2
16	GB/T889M6	nut, locking M6	2



XMOTOS

FRAME ASSY.

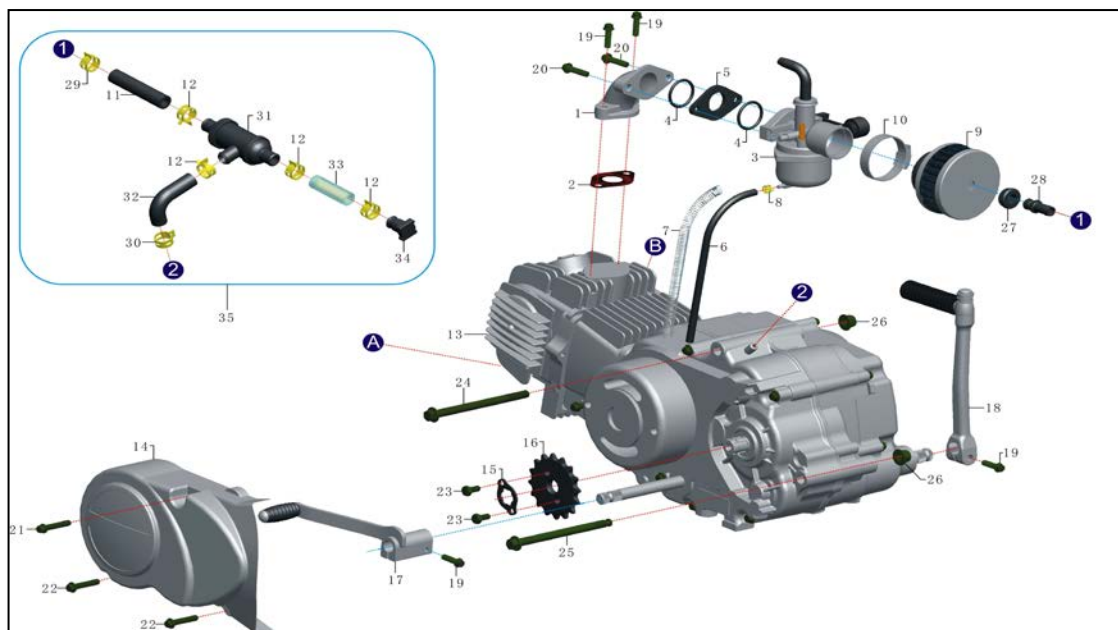
Ref. No.	PART No.	DESCRIPTION	Qty.
1	07018011102000	bracket, foot rest, engine	1
2	07019011106000	foot rest, LH	1
3	07020011106000	foot rest, RH	1
4	07006011101000	kick stand	1
5	09015109120000	spring, kick stand	1
6	12201015271200	bolt M10*25	1
7	12080110011200	pin, rod $\Phi 8*40$	2
8	GB/T5787M8*20	bolt, flanged M8*20	4
9	12080210521200	cotter pin	2
10	GB/97 $\Phi 8$	flat washer $\Phi 8$	2



XMOTOS

FRAME ASSY.

Ref. No.	PART No.	DESCRIPTION	Qty.
1	07001012102000	frame	1
2	07005010106011	lever, brake, rear	1
3	07077011116000	brake rod, rear	1
4	09015101120000	spring, bracket, brake, rear	1
5	12080210581300	cotter pin $\Phi 2$	1
6	12080210531200	cotter pin $\Phi 3$	1
7	GB/T96 $\Phi 15$	flat washer $\Phi 15$	1
8	GB/T96 $\Phi 6$	flat washer $\Phi 6$	1



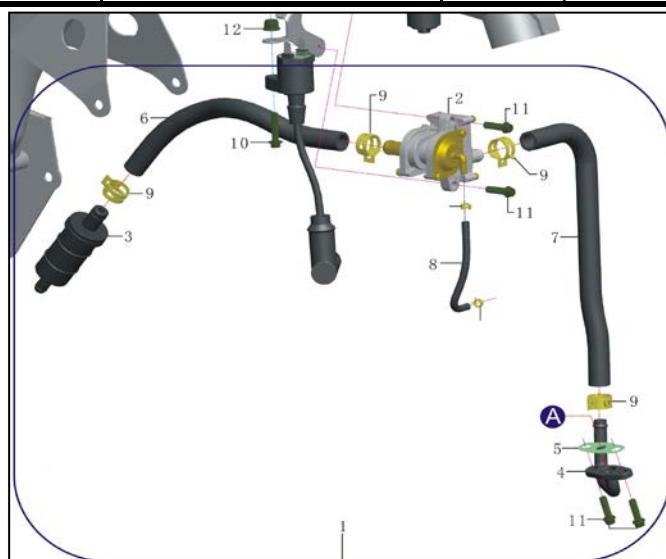
XMOTOS

ENGINE,CARBURETOR AND AIR FILTER ASSY

Ref. No.	PART No.	DESCRIPTION	Qty.
1	02001022311000	manifold, air intake	1
2	010101072110102-1	gasket, air intake 1	1
3	02024010200101	carburetor PZ19, KF (EPA)	1
3		carburetor PZ19, KF (Standard)	1
4	20130401030301	O-ring, carburetor, (rubber)	2
5	010101072110102-2	spacer, (composite plastic)	1
6	06100029024100	hose, overflow (EPA)	1
6	06100029024100	hose, overflow (standard)	1
7	09015111110000	spring, hose	1
8	12300210100100	clamp, hose Φ6	1
9	02004012220000	air filter	1
10	12300320200000	clamp, duct	1
11	010101072110102-3	hose, (Unavailable)	1
12	12300210500100	clamp, hose Φ11	2
	010101072110102-4	clamp, hose Φ15 (Unavailable)	2
13	010101072110102	ZS 50cc kick start, semi auto	1
14	20031601110200	cover, chain	1
15	20082301090100	locking plate, sprocket	1
16	20082201001500	sprocket, engine 420-14T	1
17	02028101020200	lever, gear shift	1
18	02025101030000	lever, kick start	1
19	GB/T5787M6*20	bolt, flanged M6*20	4
20	GB/T5787M6*25	bolt, flanged M6*25	2
21	GB/T5787M6*35	bolt, flanged M6*35	1
22	GB/T5787M6*30	bolt, flanged M6*30	2

ENGINE,CARBURETOR AND AIR FILTER ASSY (CONT')

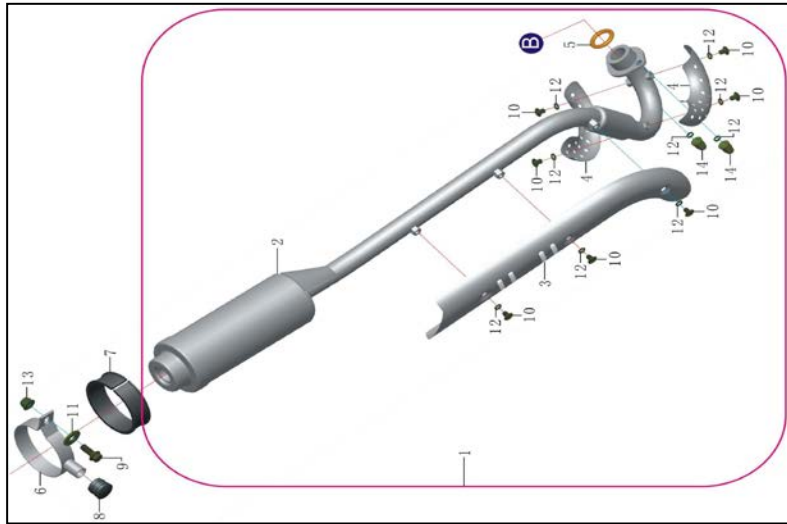
23	GB/T5783M6*8	bolt M6*8	2
24	GB/T5787M8*110	bolt, flanged M8*110	1
25	12010120734712	bolt, flangedM8*105 (GB/T5787)	1
26	GB/T6187M8	nut, flanged, locking M8	2
27	06100021014100	grommet	1
28	02015031110000	air intake pipes	1
29	010101072110102-5	clamp, hose Φ13 (Unavailable)	4
30	010101072110102-6	clamp, hose Φ11 (Unavailable)	1
31	010101072110102-7	air/oil seperator (Unavailable)	1
32	010101072110102-8	hose, (Unavailable)	1
33	010101072110102-9	hose, (Unavailable)	1
34	010101072110102-10	cap, air/oil seperator (Unavailable)	1
35	010101072110102-11	air/oil seperator Assy. (USA)	1



XMOTOS

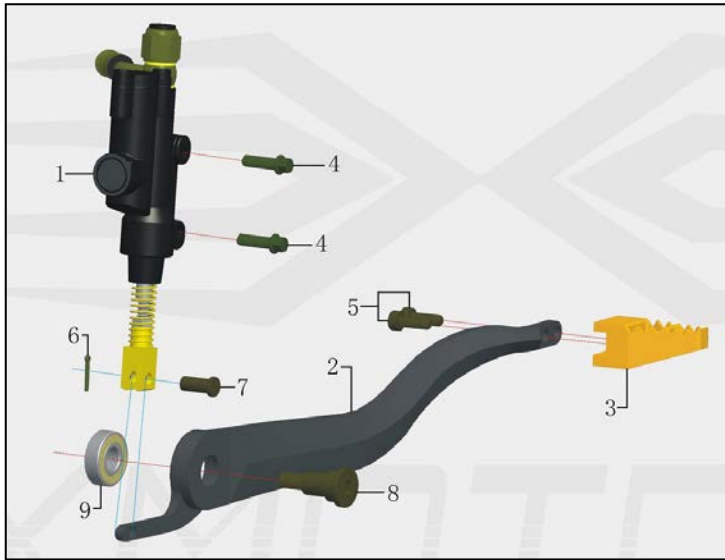
EMISSION AIR CIRCULATION VALVE ASSY.

Ref. No.	PART No.	DESCRIPTION	Qty.
1	02022010110200	actuator valve assy.	1
2	02022010110200-1	2 Valve (Unavailable)	1
3	02022010110200-2	filter (Unavailable)	1
4	02022010110200-3	pipe for air fitter (Unavailable)	1
5	20063101100100	washer	1
6	02022010110200-4	hose, intake 1 (Unavailable)	1
7	02022010110200-5	hose, intake 2 (Unavailable)	1
8	02022010110200-6	hose, intake 3 (Unavailable)	1
9	12300210500100	clamp, hose Φ11	4
10	GB/T5787M6*25	bolt, flanged M6*25	1
11	GB/T5787M6*20	bolt, flanged M6*20	4
12	GB/T6187M6	nut, flanged, locking M6	1



EXHAUST ASSY.

Ref. No.	PART No.	DESCRIPTION	Qty.
1	02002011120000	exhaust assembly (standard)	1
1	02002011120000A	exhaust assembly (EPA)	1
2	02002011120000-1	exhaust	1
3	02002011120000-2	shield, exhaust 1	1
4	02002011120000-3	shield, exhaust 2	2
5	02017001000000	seal, exhaust	1
6	02018001000000	clamp, duct, exhaust	1
7	06100002014100	cushion, bracket	1
8	06100024024100	cap, frame, front	1
9	GB/T5787M8*20	bolt, flanged M8*20	1
10	GB/T818M6*10	bolt, M6*10	7
11	GB/T96Φ8	flat washer Φ8	1
12	GB/T93Φ6	lock washer Φ6	9
13	GB/T6187M8	nut, flanged, locking M8	1
14	12200700371200	bolt, M6*21	2



X MOTOS

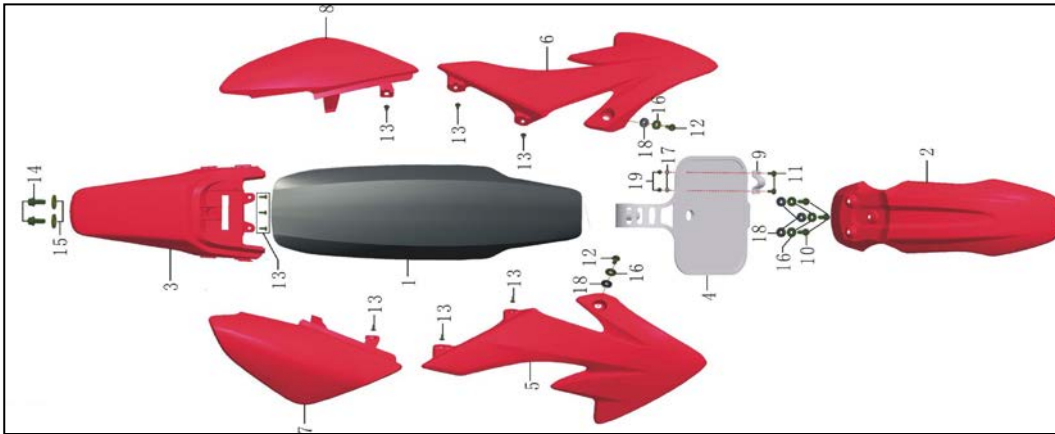
REAR BRAKE ASSY. (N/A FOR DRUM BRAKE SYSTEM)

Ref. No.	PART No.	DESCRIPTION	Qty.
1	03031040230101-3	master cylinder, rear	1
2	07005040101000	lever, brake, rear	1
3	07032031200000	brake lever tip (alloy)	1
4	GB/T5787M6*20	bolt, flanged M6*20	2
5	GB/T70.1M6*16	bolt M6*16	2
6	12080210521200	cotter pin $\Phi 2$	1
7	12080110011200	pin, lever, brake	1
8	12202005974200	bolt $\Phi 16*6*\Phi 12*14*M8*25$	1
9	12070010002000	bearing	1



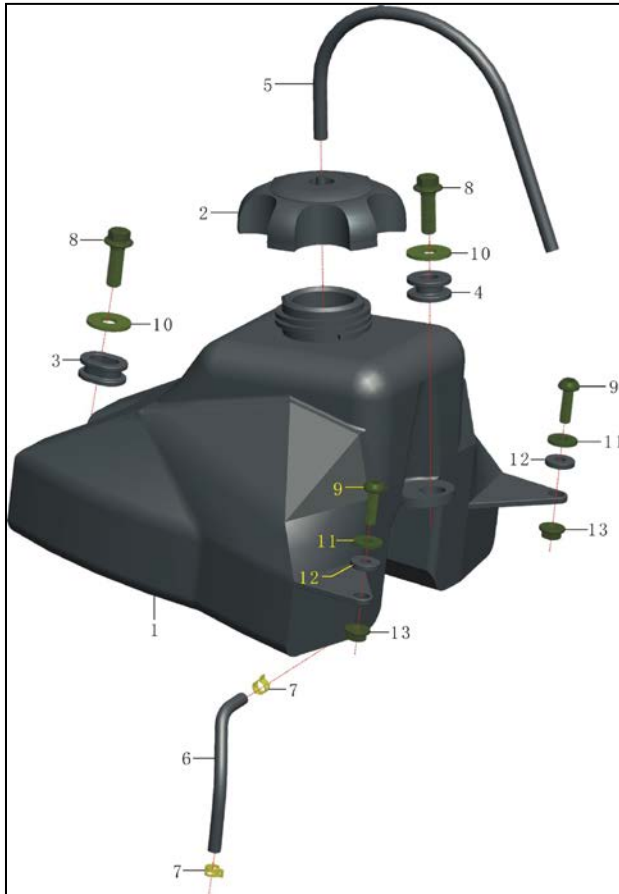
BRAKE HOSE ASSY. (N/A FOR DRUM BRAKE SYSTEM)

Ref. No.	PART No.	DESCRIPTION	Qty.
1	03030040330102-4	hose, hydraulic, front brake	1
2	03031040230101-4	hose, hydraulic, rear brake	1



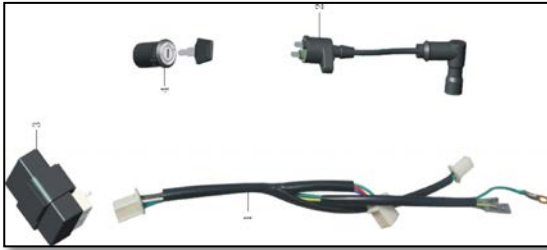
FENDER AND SEAT ASSY.

Ref. No.	PART No.	DESCRIPTION	Qty.
1	06001012010000	seat	1
2	06012011030000	fender, front	1
3	06018011030000	fender, rear	1
4	06011011020000	front number plate	1
5	06014011030000	fairing, fuel tank, RH	1
6	06013011030000	fairing, fuel tank, LH	1
7	06016011030000	fairing, rear, RH	1
8	06015011030000	fairing, rear, LH	1
9	06100025042100	bracket	1
10	GB/T70.2M6*16	bolt M6*16	3
11	GB/T818M5*12	bolt M5*12	2
12	GB/T70.2M6*12	bolt M6*12	2
13	GB/T845ST4.8*16	bolt, ST4.8*16	9
14	GB/T5787M8*16	bolt, flanged M8*16	2
15	GB/96Φ8	flat washer Φ8	2
16	GB/96Φ6	flat washer Φ6	5
17	GB/97Φ4	flat washer Φ4	2
18	06100027014100	rubber washer Φ6	5
19	GB/T889M4	nut, locking M4	2



FUEL TANK ASSY.

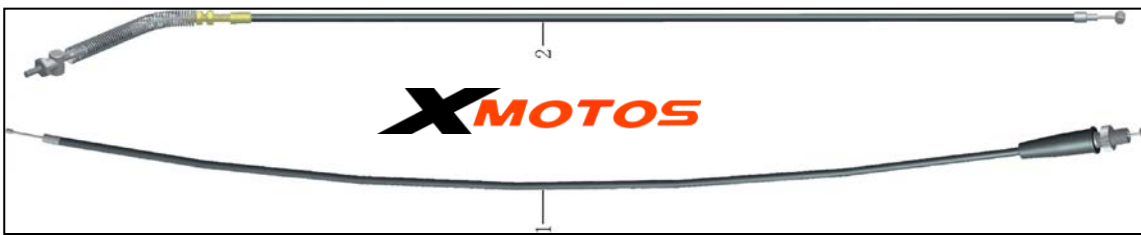
Ref. No.	PART No.	DESCRIPTION	Qty.
1	06002011100300	fuel tank (EPA)	1
1		fuel tank (standard)	1
2	06003011010300	fuel cap (EPA)	1
2		fuel cap (standard)	1
3	06100028024100	grommet, oval	1
4	06100028014100	grommet, oval	1
5		breather hose (standard)	1
6	06100029024100	hose, carburetor (EPA)	1
7	12300210100100	clamp, hose $\Phi 6$	2
8	GB/T5787M8*25	bolt, flanged M8*25	2
9	GB/T70.2M6*20	bolt M6*20	2
10	GB/96 $\Phi 8$	flat washer $\Phi 8$	2
11	GB/96 $\Phi 6$	flat washer $\Phi 6$	2
12	06100027014100	rubber washer $\Phi 6$	2
13	GB/T6177M6	nut M6	2



XMOTOS

ELECTRICAL

Ref. No.	PART No.	DESCRIPTION	Qty.
1	05008011000000	wiring harness	1
2	05001211100000	Ignition coil	1
3	05003102020000	CDI	1
4	05006110110600	key switch	1



CABLES

Ref. No.	PART No.	DESCRIPTION	Qty.
1	03020002051010	cable, throttle	1
2	03022001011010	cable, brake	1

TOOL KIT

Ref. No.	PART No.	DESCRIPTION	Qty.
1	10030002000100	tool kit	1

GRAPHICS KIT

Ref. No.	PART No.	DESCRIPTION	Qty.
1	10010008280011	sticker kit	1

