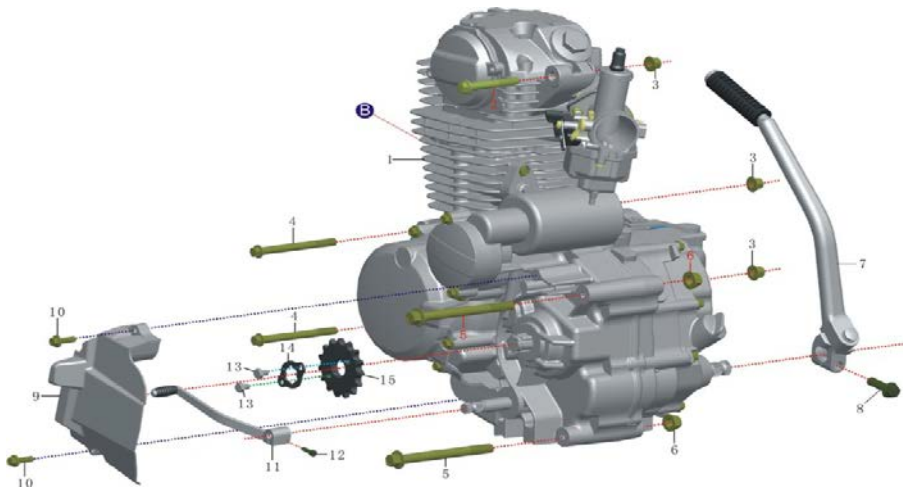


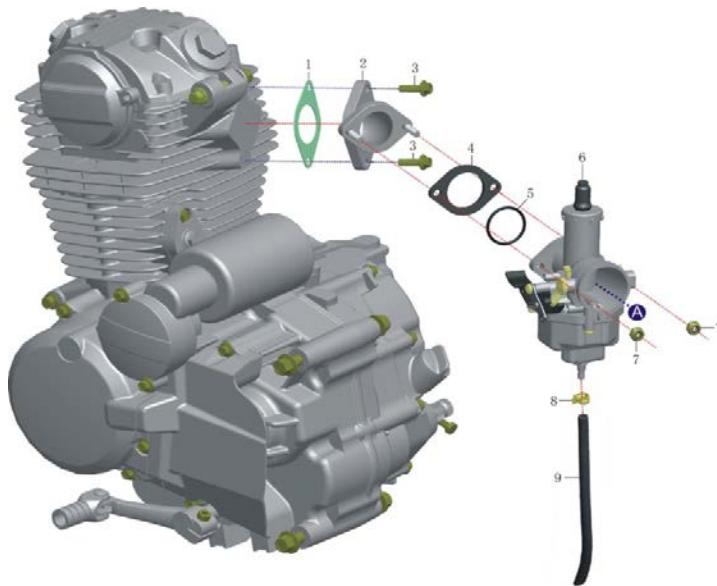
**XT250 XB-35-CB250**





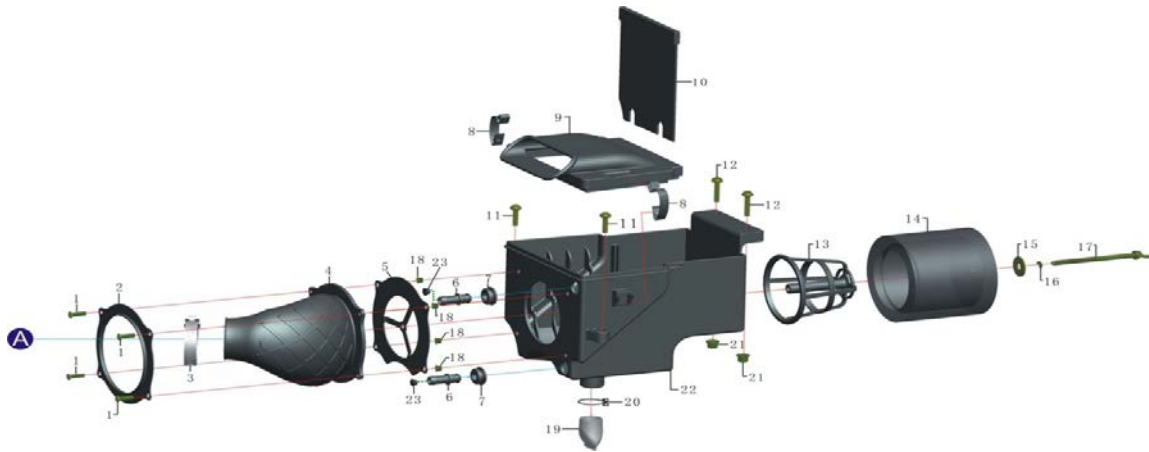
### 1. ENGINE ASSY.

REF.No.	PART No.	DESCRIPTION	QTY
1-1	ZCB250LFG515S01	engine CB250CC	1
1-2	G16674M865125GJ	bolt-flanged M8*65*1.25	1
1-3	G6187M8G	nut,flanged,locking M8	3
1-4	G16674M890125GJ	bolt-flanged M8*90*1.25	2
1-5	G16674M10115125GJ	bolt-flanged M10*115*1.25	2
1-6	G6187M10125G	nut,flanged,locking M10*1.25	2
1-7	Y305701D01	lever, kick start	1
1-8	N/A	bolt M6*20	1
1-9	Y31660003S01	cover, chain	1
1-10	N/A	bolt-flanged M6*20	2
1-11	Y305402D01	lever, shift	1
1-12	G701M620G	bolt M6*20	1
1-13	Y35B6302	bolt M6*8	2
1-14		locking washer, sprocket	1
1-15		sprocket, engine 428-15T	1



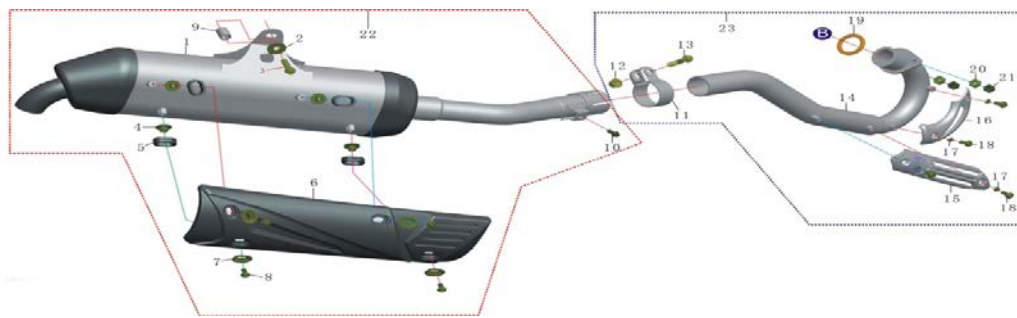
## 2. CARBURETOR ASSY.

REF.No.	PART No.	DESCRIPTION	QTY
2-1	N/A	gasket, intake manifold	1
2-2	Y30630001aG	intake manifold	1
2-3	N/A	bolt-flanged M6*25	2
2-4	N/A	spacer, (composite plastic)	1
2-5	N/A	O-ring, carburetor, (rubber)	1
2-6	Y315801	carburetor PZ30	1
2-7	G889M6G	nut,locking M6	2
2-8	N/A	clamp, hose	1
2-9	N/A	hose, overflow	1
<b>ASSY.1</b>	Y35B6301	<b>(1) (4) (5)</b>	1



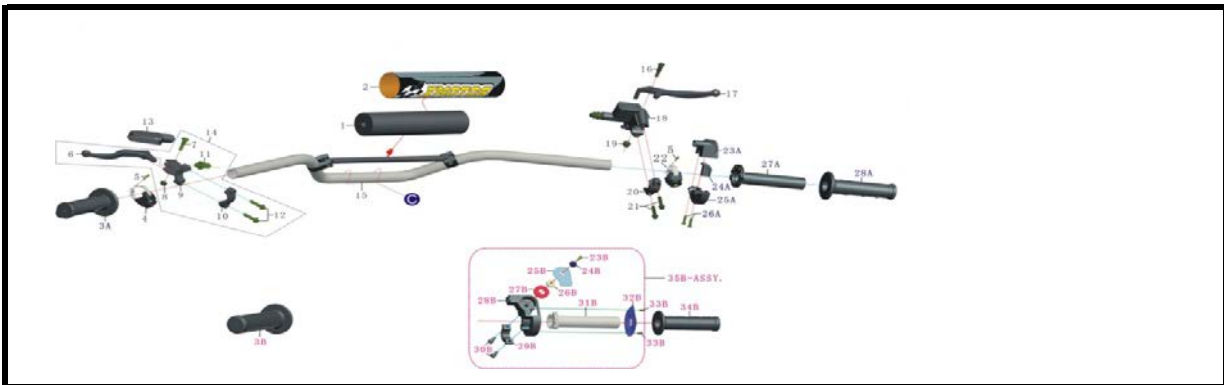
### 3. AIR FILTER ASSY.

REF.No.	PART No.	DESCRIPTION	QTY
3-1	G818M416G	bolt M4*16	4
3-2	Y313613B02B	plate for airfilter,Outside	1
3-3	Y37590101W02	clamp, duct	1
3-4	Y31590110B01	duct, funnel	2
3-5	Y313613aB02B	plate for airfilter,Inside	1
3-6	Y31590117B01	air intake pipes	2
3-7	Y31340033B01	air intake pipe covers	2
3-8	Y313619B01	clip, cover 65Mn	2
3-9	Y31590115B01	cover, air filter	1
3-10	Y31590118B01	baffle	1
3-11	G702M620G	bolt M6*20	2
3-12	G702M630G	bolt M6*30	2
3-13	Y31590111B01	holder, filter element,outer	1
3-14	Y31590108B01	element, air filter	1
3-15	G5287F6G	flat washer $\Phi 6$	1
3-16	G93F6G	lock washer $\Phi 6$	1
3-17	Y31370015G02	bolt M6*90	1
3-18	G889M4G	nut,locking M4	4
3-19	Y31590120	drain, air filter	1
3-20	Y313617L	clamp, drain pipe $\Phi 20$	1
3-21	G889M6G	nut,locking M6	2
3-22	Y318102B01	box, air filter	1
3-23	Y31340032B01	cap,air intake pipes	2
	Y31590123		3



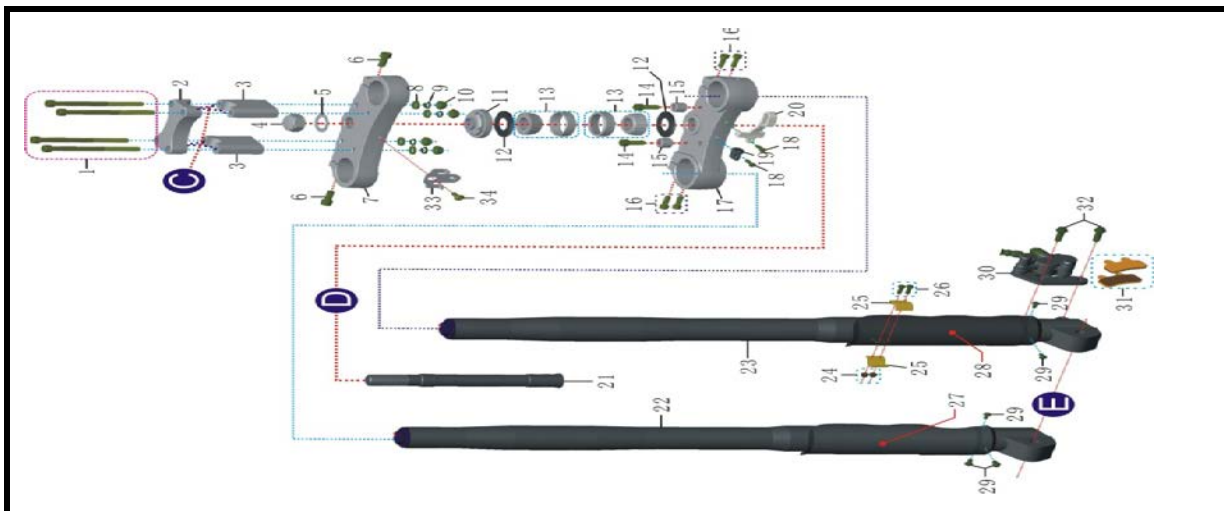
#### 4. EXHAUST ASSY.

REF.No.	PART No.	DESCRIPTION	QTY
4-1	Y356203	muffler	1
4-2	G96F8G	flat washer $\Phi 8$	1
4-3	G16674M840125G	bolt, flanged M8*40*1.25	1
4-4	Y33B360003G02	spacer $\Phi 7 * \Phi 10.3 * \Phi 20 * 7$	4
4-5	Y31340007B01	grommet, round	4
4-6	Y35620003B01	shield, heat, muffler	1
4-7	Y37370007G02	washer, oval	4
4-8	G702M616G	bolt M6*16	4
4-9	Y37360020W02	spacer $\Phi 8 * \Phi 20 * 12$	1
4-10	G16674M816G	bolt, flanged M8*16	1
4-11	Y37620005	clamp	1
4-12	G6187M8G	nut, flanged, locking M8	1
4-13	G16674M835125G	bolt, flanged M8*35*1.25	1
4-14	N/A	muffler pipe	1
4-15	N/A	shield, heat, pipe rear	1
4-16	N/A	shield, heat, pipe front	1
4-17	N/A	lock washer $\Phi 6$	4
4-18	N/A	bolt M6*12	4
4-19	Y37620004	seal, exhaust	1
4-20	G6170M8G	bolt M8	2
4-21	G802M8125G	bolt M8	2
4-22	Y356203a	muffler, ASSY.	1
4-23	Y356201	pipe, exhaust assy.	1
<b>ASSY.2</b>	Y37620005a	消声器抱箍套件 (11),(12),(13)	1



### 5. HANDLEBAR ASSY.

REF.No.	PART No.	DESCRIPTION	QTY
5-1	Y31110007B01	foam padding, crossbar	1
5-2	Y3011000802	cover, foam padding, gray	1
5-2	Y3011000801	cover, foam padding, red	1
5-3A	Y31110010B01	grip, LH	1
5-3B	Y37110010GR02	grip, LH	1
5-4	Y377904a	stop switch	1
5-5	G818M416G	bolt M4*14	2
5-6	Y32110201B01	lever, clutch	1
5-7	N/A	bolt, housing, cluth lever	1
5-8	N/A	nut, locking M6	1
5-9	N/A	housing, clutch lever	1
5-10	N/A	bracket, lever housing	1
5-11	N/A	clutch lever adjuster	1
5-12	N/A	bolt-flanged M6*20	2
5-13	Y37340008B01	lever, clutch grip	1
5-14	Y311102B01	lever, clutch assy.	1
5-15	Y311101S02	handel bar	1
5-16	N/A	bolt, brake lever	1
5-17	Y31170101bB01	lever, brake	1
5-18	Y31170103bB01	master cylinder, front, top	1
5-19	N/A	nut, locking M6	1
5-20	N/A	bracket, master cylinder, mirror, RH	1
5-21	N/A	bolt-flanged M6*20	2
5-22	Y377903a	star switch	1
5-23A	Y31110101B01 N/A	housing, throttle, top	1
5-24A	Y31110103B01 N/A	guide, throttle cable	1
5-25A	Y31110102B01 N/A	housing, throttle, bottom	1
5-26A	G818M516G	bolt M5*16	2
5-27A	Y31110012B01	insert, throttle handle	1
5-28A	Y31110011B01	grip, right	1
<b>ASSY.3</b>	<b>GP501101B01</b>	<b>(23A)(24A)(25A)(26A)</b>	<b>1</b>
5-23B	N/A	GB/T 819 bolt M4*16	1
5-24B	N/A	spacer	1
5-25B	N/A	cover, waterproof 1	1
5-26B	N/A	front rim bearing R4Z	1
5-27B	N/A	guide, throttle cable	1
5-28B	N/A	housing, throttle, top	1
5-29B	N/A	housing, throttle, bottom	1
5-30B	N/A	GB/T70.1 bolt M6*20	2
5-31B	N/A	insert, throttle handle	1
5-32B	Y37110105B02B N/A	cover, waterproof 2	1
5-33B	N/A	GB/T 819 M4*8	2
5-34B	Y37110011GR02	grip,RH	1



### 6. FORK ASSY., FRONT

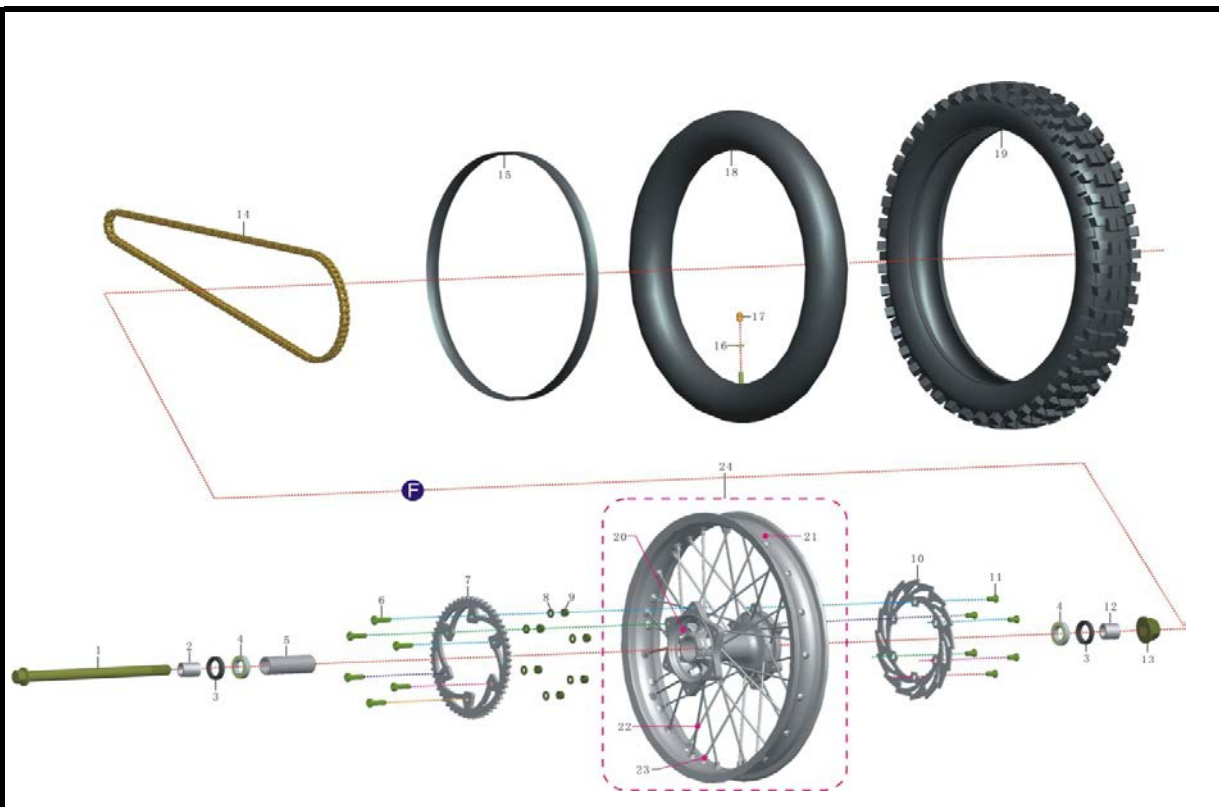
REF.No.	PART No.	DESCRIPTION	QTY
6-1	G701M8105125GJ	bolt M8*105*1.25	4
6-2	Y31130002aS01J	riser, handle bar, top $\Phi 22$	1
6-3	Y31130001S01J	riser, handle bar, bottom $\Phi 22$	2
6-4	Y31370009D01	nut, cap, steering stem M22	1
6-5	Y31370002W02	flat washer $\Phi 22.5 \times \Phi 36 \times 0.6$	1
6-6	N/A	bolt M8*20*1.25	2
6-7	Y31130003aS01J	triple clamp, top	1
6-8	G97F8G	flat washer $\Phi 8$	4
6-9	G93F8G	lock washer $\Phi 8$	4
6-10	G889M8G	nut, locking M8	4
6-11	Y31370016W02	locking nut M25*1	1
6-12	Y31370001	seal, dust, steering stem	2
6-13	G297Y32005X	bearing 32005X	2
6-14	G701M816125G	bolt M8*16*1.25	2
6-15	Y33B3615W02	stopper, steering $\Phi 8.5 \times \Phi 13 \times 12.5$	2
6-16	N/A	bolt M6*20	4
6-17	Y31130005cS01J	triple clamp, bottom	1
6-18	G818M512G	bolt M5*12	2
6-19	Y31360028W02	bracket, number plate, bottom	1
6-20	Y31210019W01	bracket, brake hose, (plastic)	1
6-21	Y30130007L	steering stem $\Phi 25 \times M22 \times 231\text{mm}$	1
6-22	Y351401J02	adjustable inverted fork,, RH	1
6-23		adjustable inverted fork, LH	1
6-24	G889M6G	nut, locking M6	2
6-25	Y31360005S01	bracket, brake hose	2
6-26	G702M616G	bolt M6*16	2
6-27	Y31210003B01	guard, fork, RH (protector)	1
6-28	Y31210002B01	guard, fork, LH (protector)	1
6-29	Y37370006G02	bolt $\Phi 10 \times 4 \times M6 \times 8$	5
6-30	<b>SEE SECTION 13</b>	disc, brake, front, bottom	1
6-31	Y31170102	brake pads, front, standard	1
6-31	Y31170102a	brake pads, front, asbestos free, (Australia)	1
6-32	G16674M825125G	bolt M8*25*1.25	2
6-33	Y33B360028W02	bracket, number plate, top	1
6-34	G702M612G	bolt M6*12	1
<b>ASSY.4</b>	Y31360005S01	<b>24, 25, 26</b>	1



### 7. FRONT WHEEL ASSY.

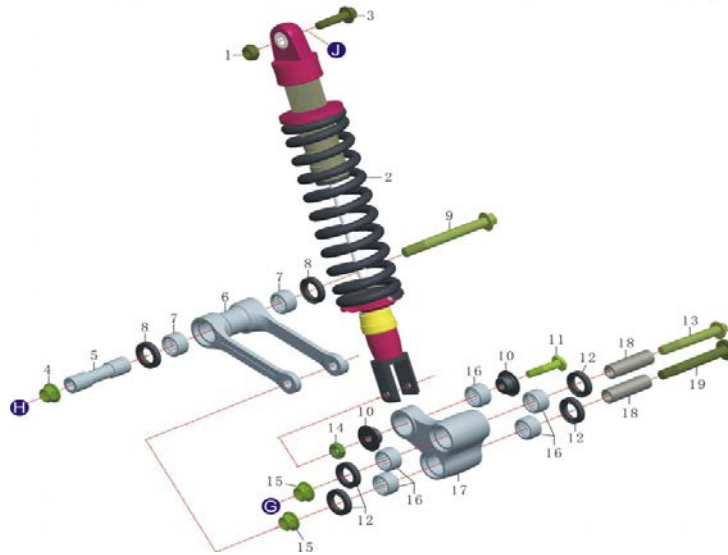
REF.No.	PART No.	DESCRIPTION	QTY
7-1	G6187M14150G	nut, flanged, locking M14*1.5	1
7-2	Y31160007W02	front axle spacer $\Phi 15 \times \Phi 22 \times 25$ , LH	1
7-3	Y31A160103	seal, dust 22/35/6/3	2
7-4	Y31A160104	bearing 6202-2RS	2
7-5	Y31A160105	front axle spacer $\Phi 22 \times \Phi 15.5 \times 65$	1
7-6	Y37370006aG02	bolt $\Phi 9 \times 4 \times M8 \times 16$	6
7-7	Y31170001	disc, brake, front $\Phi 240$	1
7-8	Y31160008W02	front axle spacer $\Phi 15 \times \Phi 22 \times 22$ , RH	1
7-9	Y31160001G02	axle for front wheel $\Phi 15 \times M14 \times 225$	1
7-10	Y37160004	inner tube protector band	1
7-11	Y37160005B01	cap, air valve	1
7-12	G6170M8G	nut m8	1
7-13	Y37160003	inner tube	1
7-14	Y37160002	tire, front, YX, 21"	1
7-14	Y37160002	tire, front, Kenda, 21"	1
7-15	Y31A160102	hub, front	1
7-16	Y31A160101B01	rim, front 21"	1
7-17	Y37160106	spokes	36
7-18	Y37160107	nut, spokes	36
7-19	Y31A1601B01	rim assy. front, 1.60*21"	1





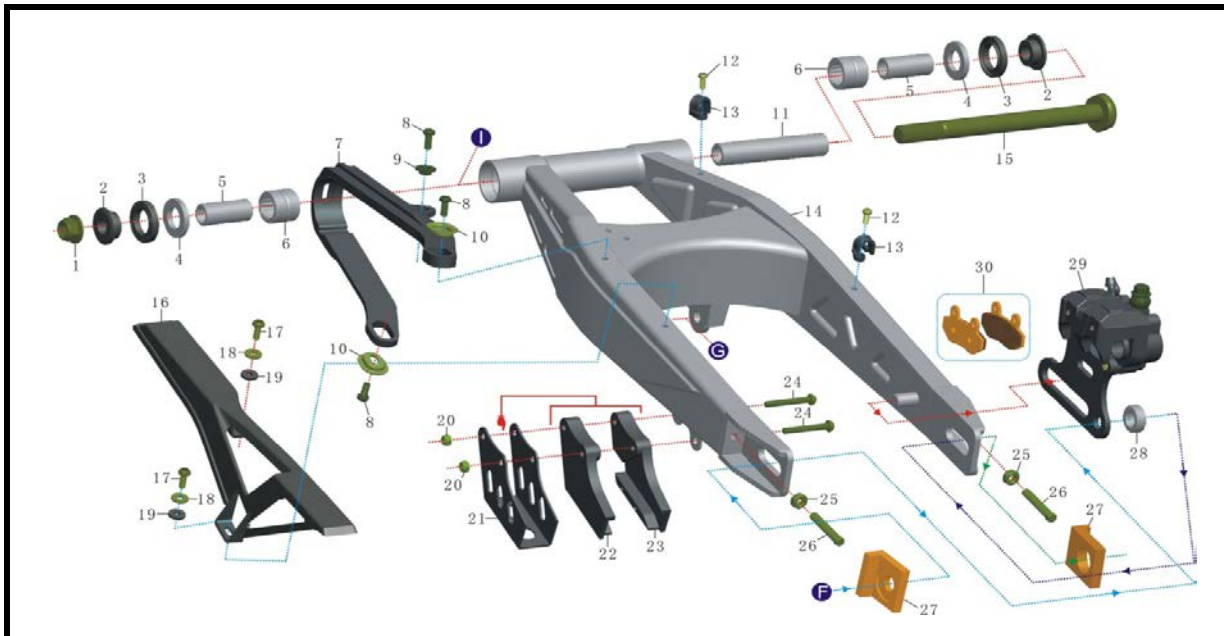
### 8. REAR WHEEL ASSY.

REF.No.	PART No.	DESCRIPTION	QTY
8-1	Y31160001G02	axle for front wheel $\Phi 15 \times M14 \times 225$	1
8-2	Y80280008W02	rear axle spacer $\Phi 15 \times \Phi 22 \times 32$ , LH	1
8-3	Y31280103	seal, dust 22-42-7-4	2
8-4	Y31280104	rear rim bearing 6302RS	2
8-5	Y31280105	rear axle spacer $\Phi 20 \times \Phi 17 \times 94$	1
8-6	G703M835125GJ	bolt M8*35*1.25	6
8-7	Y31A28001042854W02	sprocket, rear 428-54T/ $\Phi 125 \times \Phi 149$	1
8-8	G97F8G	flat washer $\Phi 8$	6
8-9	G889M8G	nut-flanged, lock M8	6
8-10	Y31290001	disc, brake, rear $\Phi 220$	1
8-11	Y37370006aG02	bolt $\Phi 9 \times 4 \times M8 \times 16$	6
8-12	Y31280009W02	rear axle spacer $\Phi 15 \times \Phi 22 \times 18$	1
8-13	G6187M14150G	nut, flanged, locking M14*1.5	1
8-14	G14212L428142	chain 428-142L	1
8-15	Y37280004	inner tube protector band	1
8-16	G6170M8G	nut m8	1
8-17	Y37160005B01	cap, air valve	1
8-18	Y37280003	inner tube	1
8-19	Y37280002	tire, rear, YX, 18"	1
8-19	Y37280002	tire, rear, Kenda, 18"	1
8-20	Y31A280102S01	hub, rear	1
8-21	Y31A280101B01	rim, rear	1
8-22	Y37280106	spokes	36
8-23	Y37280107	nut, spokes	36
8-24	Y31A2801B01	rim assy., rear, 2.15*18"	1



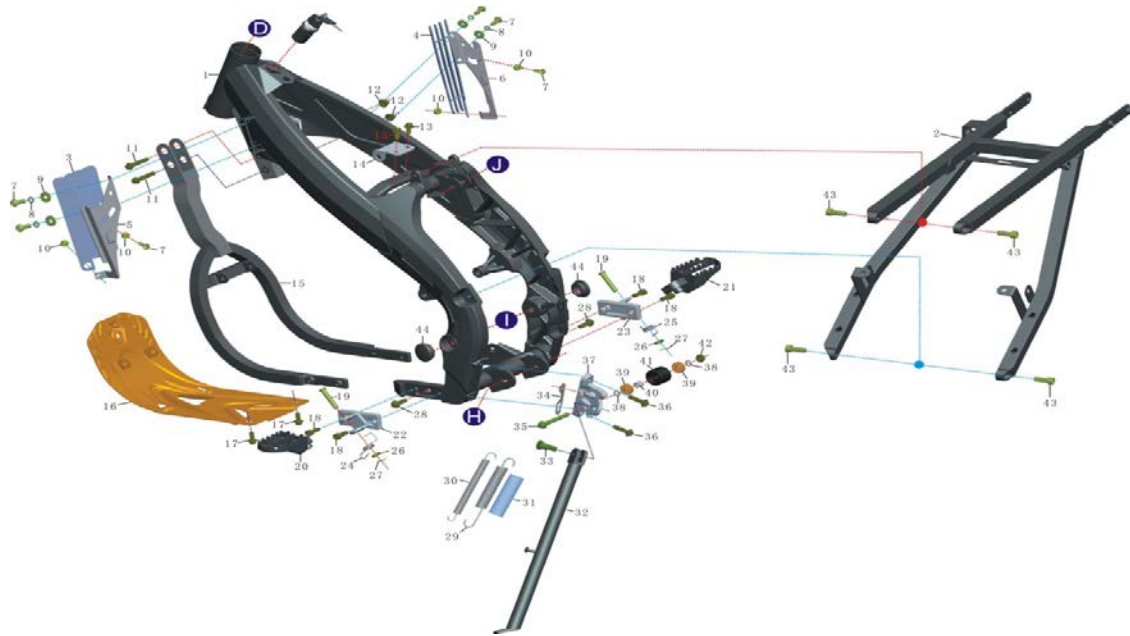
### 9. REAR SHOCK AND LINKAGE ASSY.

REF.No.	PART No.	DESCRIPTION	QTY
9-1	G6187M10125G	nut,flanged,locking M10*1.25	1
9-2	Y352701B01	rear shock	1
9-3	G16674M1045125GJ	bolt-flanged M10*40*1.25	1
9-4	G6187M12125G	nut,flanged,locking M12*1.25	1
9-5	Y35260014	spacer $\Phi 12 \times \Phi 20 \times 77.5$	1
9-6	Y35260012S02B	linkage, swing arm	1
9-7	G5801GHK202715	bearing HK202715	2
9-8	G9877F20325	seal, dust 20*32*5	2
9-9	G16674M12110125GJ	bolt-flanged M12*110*1.25	1
9-10	Y35260013	spacer $\Phi 10 \times \Phi 20 \times 11.5$	2
9-11	Y37370017G02	bolt, flanged M10*44	1
9-12	G9877F20325	seal, dust 20*32*5	4
9-13	G16674M1290125GJ	bolt, flanged M12*90*1.25	1
9-14	G6170M10G	nut M10	1
9-15	G6187M12125G	nut,flanged,locking M12*1.25	2
9-16	G5801GHK2014	bearing HK2014	5
9-17	Y35260005S01	linkage, suspension	1
9-18	Y37260014a	spacer $\Phi 12 \times \Phi 20 \times 56$	2
9-19	Y33B370023aG02	bolt, flanged M12*95	1



### 10. REAR SWING ARM ASSY.

REF.No.	PART No.	DESCRIPTION	QTY
10-1	G6187M12125G	nut,flanged,locking M12*1.25	1
10-2	Y31260002G02	spacer $\Phi 12^* \Phi 20^* \Phi 28^* 10$	2
10-3	G9877F20325	seal, dust 20*32*5	2
10-4	G4663TAXK1730	bearing AXK1730/AS1730	2
10-5	Y30260003	spacer $\Phi 12 \times \Phi 17 \times 35$	2
10-6	G5801GNK1720	bearing NK17/20	2
10-7	Y30340002B01	guide, chain, swing arm	1
10-8	G819M612G	bolt, M6*12	3
10-9	Y37360003gG02	spacer $\Phi 7^* \Phi 9^* \Phi 15^* 4$	1
10-10	Y37370007G02	washer, oval $\Phi 6$	2
10-11	Y31260003L	spacer $\Phi 12.5^* \Phi 18^* 94.5$	1
10-12	G819M512G	bolt M5*12	2
10-13	Y31210021B01	bracket, brake hose	2
10-14	Y352601S02B	rear swing arm	1
10-15	Y35260001G02	bolt $\Phi 12^* 230^* M12^* 1.5$	1
10-16	Y37220001B01	cover, chain	1
10-17	G702M612G	bolt M6*12	2
10-18	G96F6G	flat washer $\Phi 6$	2
10-19	Y37340005B01	rubber washer $\Phi 6$	2
10-20	G889M6G	nut, locking M6	2
10-21	Y31360004S02B	plate, chain guide	1
10-22	Y31340003B01	chain guide insert, rubber, LH	1
10-23	Y31340004B01	chain guide insert, rubber, RH	1
10-24	G702M645G	bolt M6*45	2
10-25	Y37370012G02	nut M8	2
10-26	Y37370013G02	rear jack bolts M8*50	2
10-27	Y31260018S01	adjuster, wheel	2
10-28	Y31280008W02	rear axle spacer $\Phi 15^* \Phi 22^* 9$ , RH	1
10-29	<b>SEE SECTION 13</b>	caliper, brake, rear, bottom	1
10-30	Y33290102B01	brake pads, rear, standard	1
10-30	Y33290102aB01	brake pads, rear, asbestos free (Australia)	1

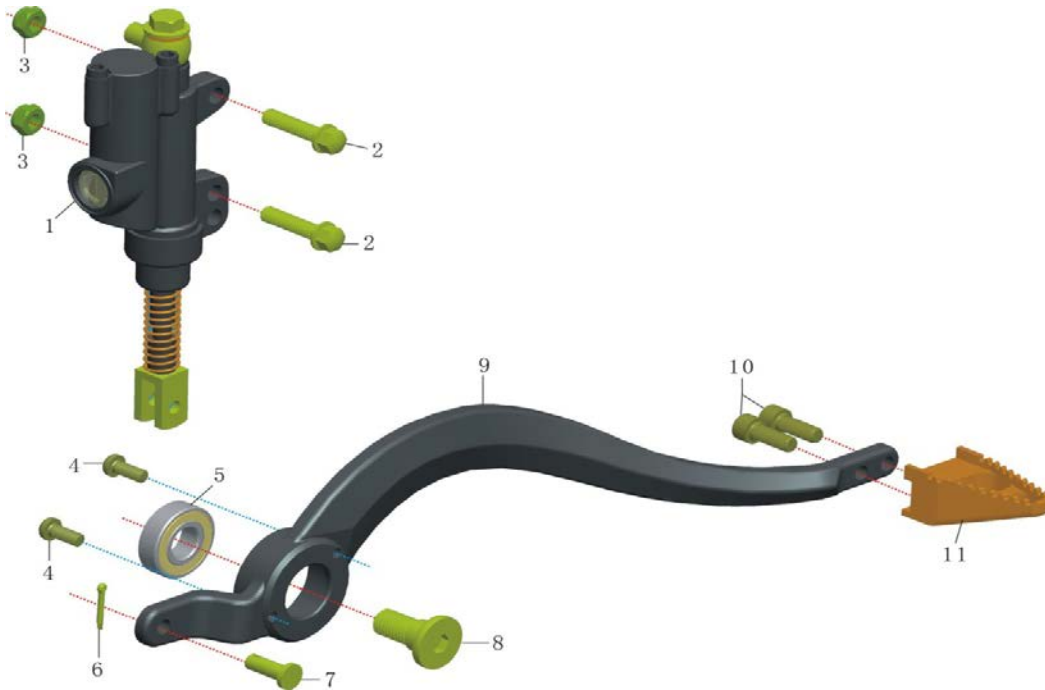


### 11. FRAME AND SUB-FRAME

REF.No.	PART No.	DESCRIPTION	QTY
11-1	Y351801S02B	frame, grey	1
11-1	Y351801B02B	frame, black	1
11-2	Y353001S02B	sub-frame, grey	1
11-2	Y353001B02B	sub-frame, black	1
11-3	Y31210014W01	air deflector, LH	1
11-4	Y31210015W01	air deflector, RH	1
11-5	Y31360010S02B	bracket, air deflector, LH	1
11-6	Y31360011S02B	bracket, air deflector, RH	1
11-7	G702M612G	bolt M6*12	6
11-8	G93F6G	lock washer $\Phi 6$	4
11-9	G96F6G	flat washer $\Phi 6$	4
11-10	G6187M6G	nut,flanged,locking M6	4
11-11	G16674M870125GJ	bolt-flanged M8*70*1.25	2
11-12	G6187M8G	nut,flanged,locking M8	2
11-13	G16674M816125GJ	bolt-flanged M8*16*1.25	2
11-14	Y351808B02B	bracket, engine, top	1
11-15	Y351810B02B	bracket, lower, engine	1
11-16	Y351804B02B	engine skid plate (protector)	1
11-17	G16674M816125GJ	bolt-flanged M8*16*1.25	2
11-18	G701M820125G	bolt M8*20*1.25	4
11-19	G882F843G	pin, rod $\Phi 8*43$	2
11-20	Y31240001B02B	foot rest, LH	1
11-21	Y31240002B02B	foot rest, RH	1
11-22	Y35240003B02B	bracket, foot rest, LH	1
11-23	Y35240004B02B	bracket, foot rest, RH	1
11-24	Y31360037W02	spring, foot rest, LH	1
11-25	Y31360038W02	spring, foot rest, RH	1
11-26	G97F8G	flat washer $\Phi 8$	2
11-27	G91F225G	cotter pin 2*25	2
11-28	G16674M825125G	bolt-flanged M8*25*1.25	2
11-29	Y31360002aW02	main kick stand spring	1

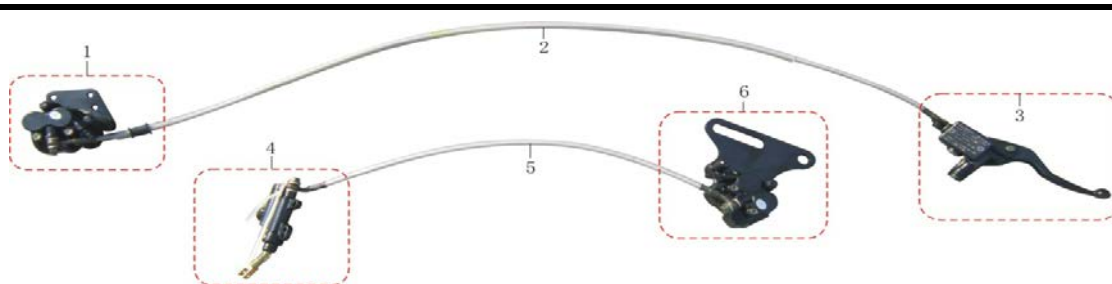
## 11. FRAME AND SUB-FRAME(Cont')

REF.No.	PART No.	DESCRIPTION	QTY
11-30	Y31360002W02	auxiliary kick stand spring	1
11-31	Y37340031	cover, spring	1
11-32	Y352302B02B	kick stand	1
11-33	Y31370011G02	bolt M10*25	1
11-34	Y31230004W02	bracket, spring, kick stand	1
11-35	G16674M865125GJ	bolt-flanged M8*65*1.25	1
11-36	G16674M830125G	bolt-flanged M8*30*1.25	2
11-37	Y35230003B02B	bracket, kick stand	1
11-38	Y313614W02	spacer $\Phi 12 \times \Phi 8 \times 3$	2
11-39	G276S608ZZ	bearing 608ZZ	2
11-40	Y333614W02	spacer $\Phi 8 \times \Phi 12 \times 10$	1
11-41	Y31260015B01	roller, chain guide	1
11-42	G6187M8G	nut, flanged, locking M8	1
11-43	G701M820125G	bolt M8*20*1.25	4
11-44	Y37340022B01	cap, FRAME	2



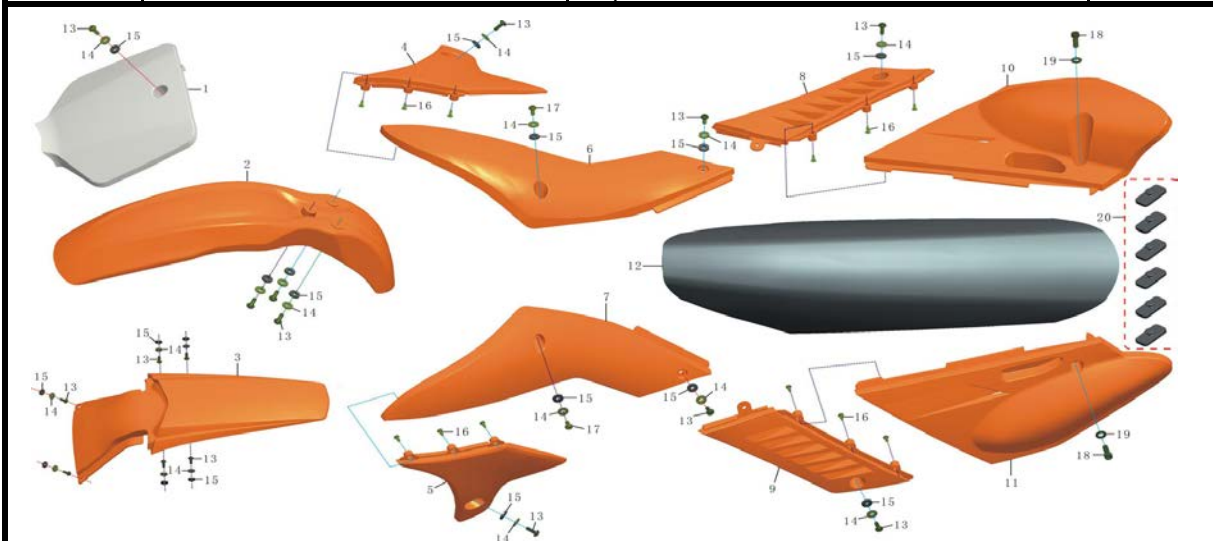
## 12. BRAKE ASSY.

REF.No.	PART No.	DESCRIPTION	QTY
12-1	<b>SEE SECTION 13</b>	master cylinder, rear	1
12-2	G16674M625G	bolt-flanged M6*25	2
12-3	G6187M6G	nut-flanged,locking M6	2
12-4	G818M512aG	bolt M5*12	2
12-5	G276S6001	bearing 6001	1
12-6	G91F225G	cotter pin $\Phi 2$	1
12-7	G882F616G	pin, lever, brake	1
12-8	Y35370010G02	bolt M10*15	1
12-9	Y35250001B02B	lever, brake, rear	1
12-10	G701M616G	bolt M6*16	2
12-11	Y31250002S01	brake lever tip (alloy)	1



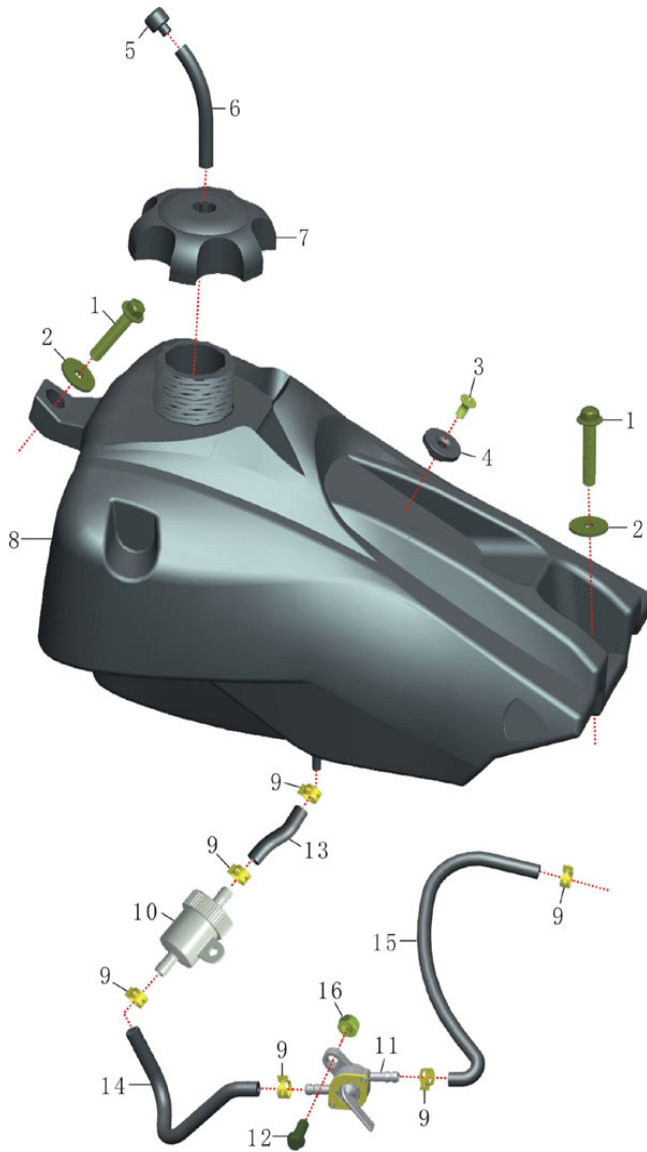
### 13. BRAKE ASSY.2, FT & RR

REF.No.	PART No.	DESCRIPTION	QTY
ASSY.5	Y352901B01	brake assy., rear	1
ASSY.6	Y311701B01	brake assy., front	1
13-1	Y31170104bB01	disc, brake, front, bottom	1
13-2	Y35B170106S01	hose, brake, front	1
13-3	Y31170103bB01	master cylinder, front, top	1
13-4	Y33290103B01	master cylinder, rear, top	1
13-5	Y31A290106S01	hose, brake, rear	1
13-6	Y33290104B01	caliper, brake, rear, bottom	1



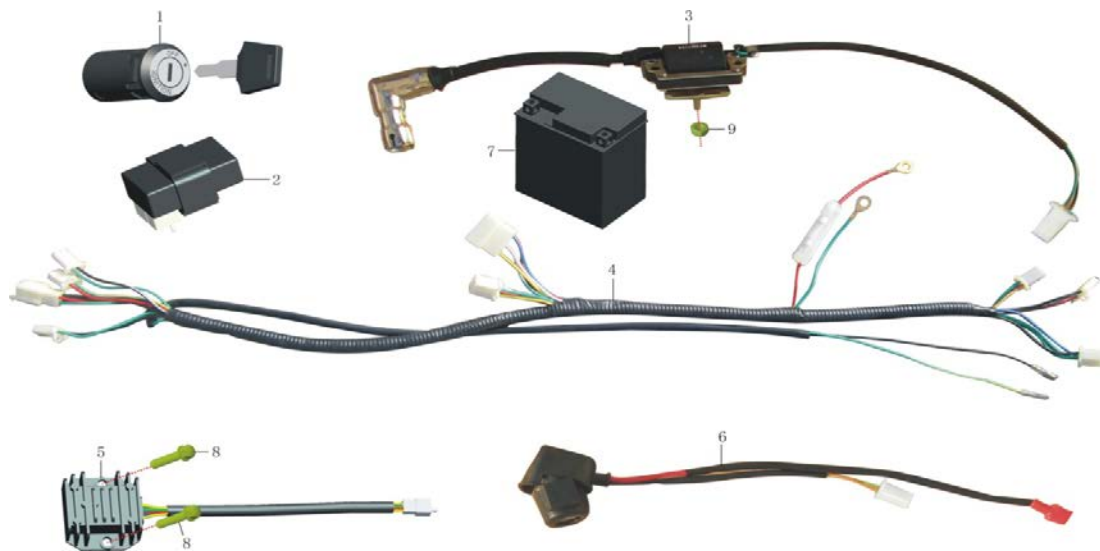
### 14. FENDER AND SEAT ASSY.

REF.No.	PART No.	DESCRIPTION	QTY
14-1	Y30210001W01	number plate, front, white	1
14-2	Y35B150001C01	fender, front, orange	1
14-3	Y35B310001C01	fender, rear, orange	1
14-4	Y35210011C01	fairing, fuel tank, upper, orange,RH	1
14-5	Y35210010C01	fairing, fuel tank, upper, orange,LH	1
14-6	Y35210005C01	fairing, fuel tank, orange, RH	1
14-7	Y35210004C01	fairing, fuel tank, orange, LH	1
14-8	Y35210013B01	fairing, rear, upper, black, RH	1
14-9	Y35210012B01	fairing, rear, upper, black, LH	1
14-10	Y35210009W01	fairing, rear, white, RH	1
14-11	Y35210008W01	fairing, rear, white, LH	1
14-12	Y353201B01	seat	1
14-13	G702M616G	bolt, M6*16	16
14-14	G96F6G	flat washer $\Phi$ 6	18
14-15	Y37340005B01	rubber washer $\Phi$ 6	18
14-16	G845ST4812G	bolt, ST4.8*12	12
14-17	G702M612G	bolt, M6*12	2
14-18	G701M820125G	bolt, M8*20	2
14-19	G97F8G	flat washer $\Phi$ 8	2
14-20	Y33B340001B01	pads, rubber, seat	6



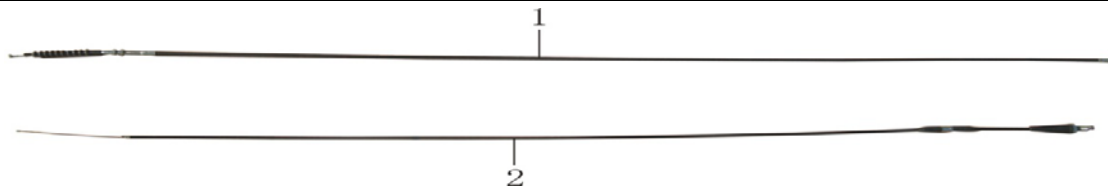
### 15. FUEL TANK ASSY.

REF.No.	PART No.	DESCRIPTION	QTY
15-1	G701M825125G	bolt, M8*25	2
15-2	G96F8G	flat washer $\Phi$ 8	2
15-3	G819M612G	bolt M6*12	1
15-4	Y37210020B01	bracket, seat	1
15-5	Y37210028B01	cap, breather hose	1
15-6	Y37340010B01	breather hose	1
15-7	Y371902B01	cap, fuel tank, plastic	1
15-7	Y371902aS01	cap, fuel tank, aluminum	1
15-8	Y351901B01	fuel tank	1
15-9	Y373617G03	clamp, hose $\Phi$ 8	6
15-10	Y371904	filter, fuel	1
15-11	Y301903	pet-cock, fuel	1
15-12	G701M620G	bolt, M6*20	1
15-13	Y31340011B01	hose, fuel 1 L=100mm	1
15-14		hose, fuel 2 L=40mm	1
15-15		hose, fuel 1 L=160mm	1
15-16	G889M6G	nut, locking M6	1



### 16. ELECTRICAL COMPONENTS

REF.No.	PART No.	DESCRIPTION	QTY
16-1	Y31780101	key switch assy.	1
16-2	Y318401	CDI	1
16-3	Y318301B01	Ignition coil	1
16-4	Y358001	wiring harness	1
16-5	Y318501	rectifier	1
16-6	Y378202a	solenoid, starter	1
16-7	Y378101	battery 12V, 7AH	1
16-8	G16674M616G	bolt-flanged M6*16	2
16-9	G889M6G	nut, locking M6	1



### 17. CABLES

REF.No.	PART No.	DESCRIPTION	QTY
17-1	Y33B1201B01	cable, clutch L=1200, A+B=120	1
17-2	Y311202B01	cable, throttle L=850, A+B=110	1

### 18. TOOL KIT

REF.No.	PART No.	DESCRIPTION	QTY
<b>ASSY.7</b>	Y370401b	tool kit	1

### 19. STICKER KIT

REF.No.	PART No.	DESCRIPTION	QTY
19-1	Y35330101	sticker kit	1