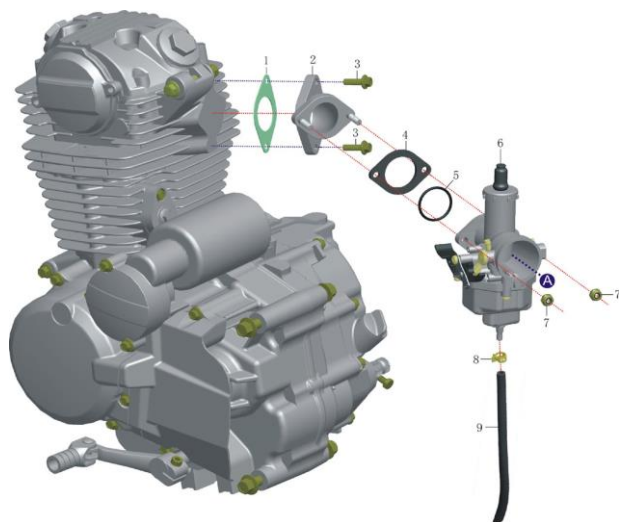


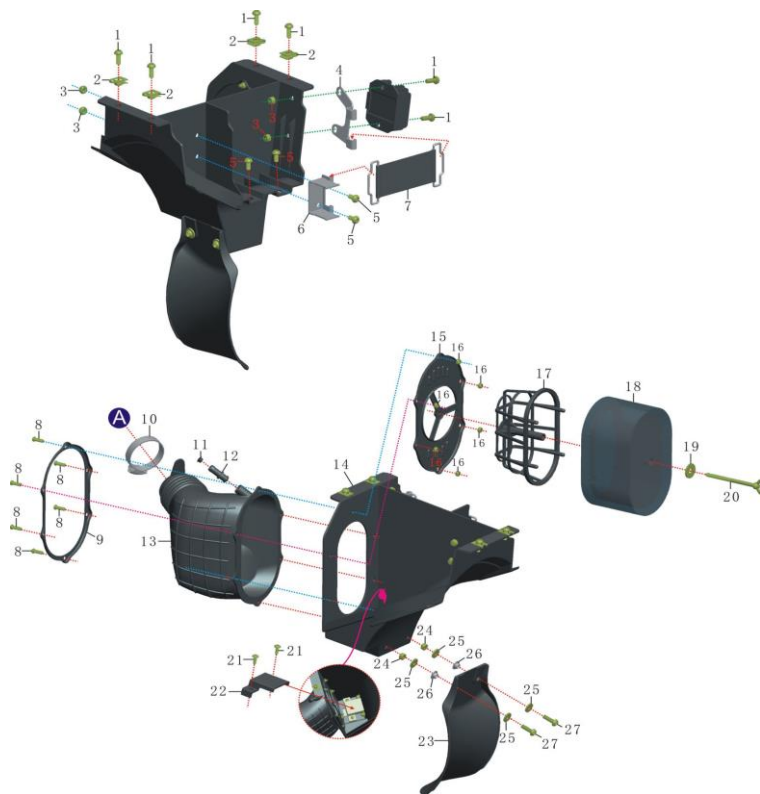
发动机总成 ENGINE ASSY. SECTION 1

| REF.No. | PART No. | DESCRIPTION | QTY |
|---------|-------------------|------------------------------|-----|
| 1-1 | ZCB250LFG517G | engine CB250CC | 1 |
| 1-2 | G16674M860125GJ | bolt-flanged M8*60*1.25 | 1 |
| 1-3 | G6187M8G | nut,flanged,locking M8 | 3 |
| 1-4 | G16674M890125GJ | bolt-flanged M8*90*1.25 | 2 |
| 1-5 | G16674M10115125GJ | bolt-flanged M10*115*1.25 | 2 |
| 1-6 | G6187M10125G | nut,flanged,locking M10*1.25 | 2 |
| 1-7 | Y33B5701D01 | lever, kick start | 1 |
| 1-8 | N/A | bolt M6*20 | 1 |
| 1-9 | Y31660003S01 | cover, chain | 1 |
| 1-10 | N/A | bolt-flanged M6*20 | 2 |
| 1-11 | Y35B5401S01 | lever, shift | 1 |
| 1-12 | G701M620G | bolt M6*20 | 1 |
| 1-13 | Y35B6302 | bolt M6*8 | 2 |
| 1-14 | | locking washer, sprocket | 1 |
| 1-15 | | sprocket, engine 428-17T | 1 |
| 1-16 | | | |
| 1-17 | | | |
| 1-18 | | | |
| 1-19 | | | |
| 1-20 | | | |
| 1-21 | | | |
| 1-22 | | | |
| 1-23 | | | |
| | | | |
| | | | |



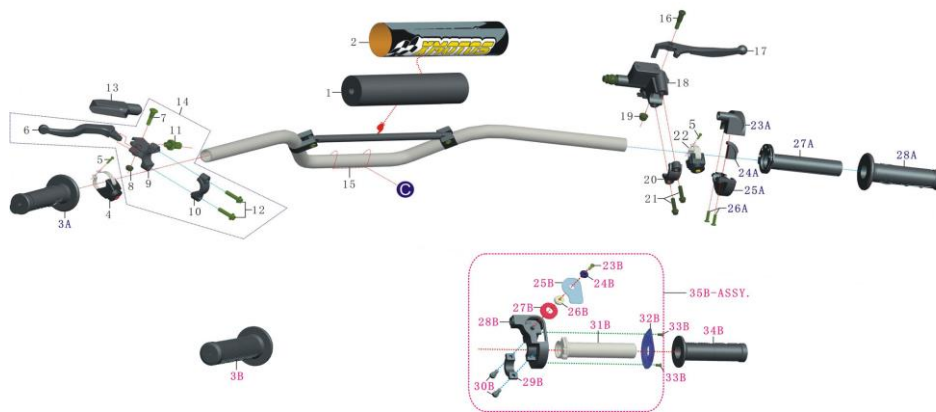
化油器总成 CARBURETOR ASSY. SECTION 2

| REF.No. | PART No. | DESCRIPTION | QTY |
|---------------|-------------|------------------------------|-----|
| 2-1 | N/A | gasket, intake manifold | 1 |
| 2-2 | Y30630001aG | intake manifold | 1 |
| 2-3 | N/A | bolt-flanged M6*25 | 2 |
| 2-4 | N/A | spacer, (composite plastic) | 1 |
| 2-5 | N/A | O-ring, carburetor, (rubber) | 1 |
| 2-6 | Y315801 | carburetor PZ30 | 1 |
| 2-7 | G889M6G | nut,locking M6 | 2 |
| 2-8 | N/A | clamp, hose | 1 |
| 2-9 | N/A | hose, overflow | 1 |
| ASSY.1 | Y35B6301 | (1) (4) (5) | 1 |



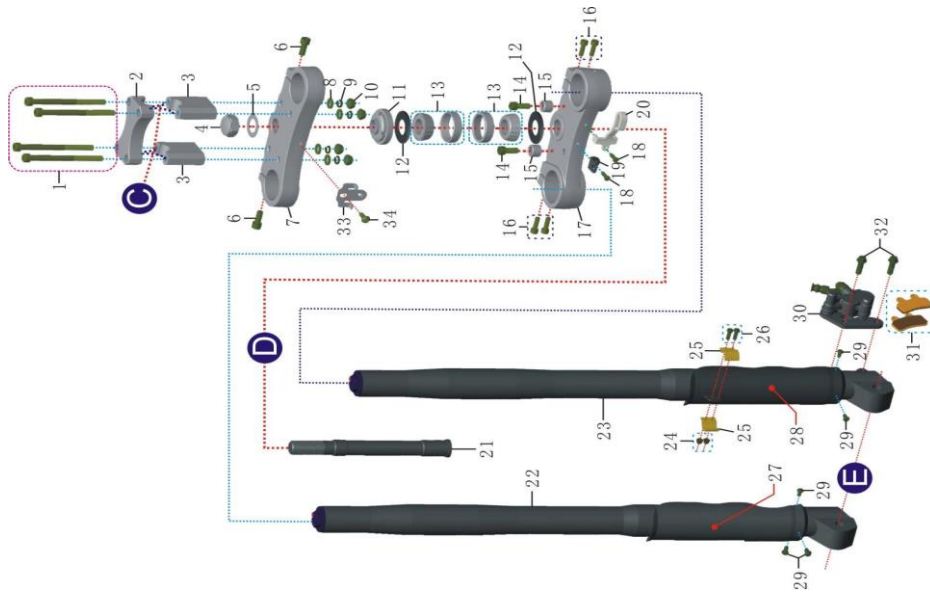
空滤器总成 AIR FILTER ASSY. SECTION 3

| REF.No. | PART No. | DESCRIPTION | QTY |
|---------|----------------|------------------------------|-----|
| 3-1 | G702M616G | bolt M6*16 | 6 |
| 3-2 | Y37370014G02 | nut M6 | 4 |
| 3-3 | G889M6G | nut,locking M6 | 4 |
| 3-4 | Y35B3611S02B | Battery bracket | 1 |
| 3-5 | G702M612G | bolt M6*12 | 4 |
| 3-6 | Y35B360023S02B | solenoid bracket | 1 |
| 3-7 | Y33B340026 | battery bandage | 1 |
| 3-8 | G818M416G | bolt M4*16 | 6 |
| 3-9 | Y33B3613S02B | plate for airfilter,Outside | 1 |
| 3-10 | Y37590101W02 | clamp, duct | 1 |
| 3-11 | Y31340032B01 | cap,air intake pipes | 1 |
| 3-12 | Y31590117B01 | air intake pipes | 1 |
| 3-13 | Y33B590110B01 | duct, funnel | 1 |
| 3-14 | Y33B590102B01 | box, air filter | 1 |
| 3-15 | Y33B3613aS02B | plate for airfilter,Inside | 1 |
| 3-16 | G889M4G | nut,locking M4 | 6 |
| 3-17 | Y33B590111B01 | holder, filter element,outer | 1 |
| 3-18 | Y33B590108B01 | element, air filter | 1 |
| 3-19 | G5287F6G | flat washer Φ6 | 1 |
| 3-20 | Y31370015G02 | bolt M6*90 | 1 |
| 3-21 | G845ST4812G | bolt ST4.8*12 | 2 |
| 3-22 | Y33B590116B01 | anti-dust(water) protector | 1 |
| 3-23 | Y35B310002B01 | fender, rear,bottom | 1 |
| 3-24 | G889M6G | nut,locking M6 | 2 |
| 3-25 | G97F6G | flat washer Φ6 | 2 |
| 3-26 | Y37360003aW02 | spacer Φ7*Φ9*Φ15*4.5 | 2 |
| 3-27 | G702M620G | bolt M6*20 | 2 |



方向把总成 HANDLEBAR ASSY. SECTION 5

| REF.No. | PART No. | DESCRIPTION | QTY |
|---------------|-------------------|--------------------------------------|----------|
| 5-1 | Y31110007B01 | foam padding, crossbar | 1 |
| 5-2 | Y3011000802 | cover, foam padding, gray | 1 |
| 5-2 | Y3011000801 | cover, foam padding, red | 1 |
| 5-3A | Y31110010B01 | grip, LH | 1 |
| 5-3B | Y37110010GR02 | grip, LH | 1 |
| 5-4 | Y377904a | stop switch | 1 |
| 5-5 | G818M416G | bolt M4*14 | 2 |
| 5-6 | Y32110201B01 | lever, clutch | 1 |
| 5-7 | N/A | bolt, housing, clutch lever | 1 |
| 5-8 | N/A | nut, locking M6 | 1 |
| 5-9 | N/A | housing, clutch lever | 1 |
| 5-10 | N/A | bracket, lever housing | 1 |
| 5-11 | N/A | clutch lever adjuster | 1 |
| 5-12 | N/A | bolt-flanged M6*20 | 2 |
| 5-13 | Y37340008B01 | lever, clutch grip | 1 |
| 5-14 | Y311102B01 | lever, clutch assy. | 1 |
| 5-15 | Y311101S02 | handel bar | 1 |
| 5-16 | N/A | bolt, brake lever | 1 |
| 5-17 | Y31170101bB01 | lever, brake | 1 |
| 5-18 | Y31170103bB01 | master cylinder, front, top | 1 |
| 5-19 | N/A | nut, locking M6 | 1 |
| 5-20 | N/A | bracket, master cylinder, mirror, RH | 1 |
| 5-21 | N/A | bolt-flanged M6*20 | 2 |
| 5-22 | Y377903a | star switch | 1 |
| 5-23A | Y31110101B01 N/A | housing, throttle, top | 1 |
| 5-24A | Y31110103B01 N/A | guide, throttle cable | 1 |
| 5-25A | Y31110102B01 N/A | housing, throttle, bottom | 1 |
| 5-26A | G818M516G | bolt M5*16 | 2 |
| 5-27A | Y31110012B01 | insert, throttle handle | 1 |
| 5-28A | Y31110011B01 | grip, right | 1 |
| ASSY.3 | GP501101B01 | (23A)(24A)(25A)(26A) | 1 |
| 5-23B | N/A | GB/T 819 bolt M4*16 | 1 |
| 5-24B | N/A | spacer | 1 |
| 5-25B | N/A | cover, waterproof 1 | 1 |
| 5-26B | N/A | front rim bearing R4Z | 1 |
| 5-27B | N/A | guide, throttle cable | 1 |
| 5-28B | N/A | housing, throttle, top | 1 |
| 5-29B | N/A | housing, throttle, bottom | 1 |
| 5-30B | N/A | GB/T70.1 bolt M6*20 | 2 |
| 5-31B | N/A | insert, throttle handle | 1 |
| 5-32B | Y37110105B02B N/A | cover, waterproof 2 | 1 |
| 5-33B | N/A | GB/T 819 M4*8 | 2 |
| 5-34B | Y37110011GR02 | grip,RH | 1 |
| 5-35B | Y371101B01 | housing, throttle, assy. | 1 |



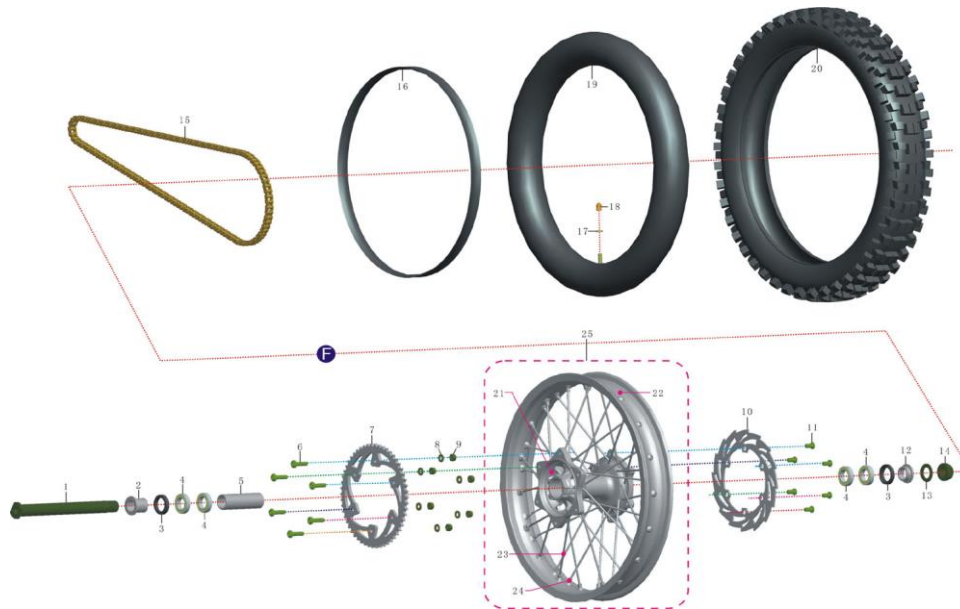
前叉总成 FORK ASSY., FRONT . SECTION 6

| REF.No. | PART No. | DESCRIPTION | QTY |
|---------------|-----------------------|---|-----|
| 6-1 | G701M8105125GJ | bolt M8*105*1.25 | 4 |
| 6-2 | Y31130002aS01J | riser, handle bar, top Φ22 | 1 |
| 6-3 | Y31130001S01J | riser, handle bar, bottom Φ22 | 2 |
| 6-4 | Y31370009D01 | nut, cap, steering stem M22 | 1 |
| 6-5 | Y31370002W02 | flat washer Φ22.5*Φ36*0.6 | 1 |
| 6-6 | N/A | bolt M8*20*1.25 | 2 |
| 6-7 | Y31130003aS01J | triple clamp, top | 1 |
| 6-8 | G97F8G | flat washer Φ8 | 4 |
| 6-9 | G93F8G | lock washer Φ8 | 4 |
| 6-10 | G889M8G | nut, locking M8 | 4 |
| 6-11 | Y31370016W02 | locking nut M25*1 | 1 |
| 6-12 | Y31370001 | seal, dust, steering stem | 2 |
| 6-13 | G297Y32005X | bearing 32005X | 2 |
| 6-14 | G701M816125G | bolt M8*16*1.25 | 2 |
| 6-15 | Y33B3615W02 | stopper,steering Φ8.5*Φ13*12.5 | 2 |
| 6-16 | N/A | bolt M6*20 | 4 |
| 6-17 | Y33B130005S01J | triple clamp, bottom | 1 |
| 6-18 | G818M512G | bolt M5*12 | 2 |
| 6-19 | Y31360028W02 | bracket,number plate,bottom | 1 |
| 6-20 | Y31210019W01 | bracket, brake hose, (plastic) | 1 |
| 6-21 | Y35B130007L | steering stem Φ25*M22*261mm | 1 |
| 6-22 | Y33B1401J02 | adjustable inverted fork,, RH | 1 |
| 6-23 | | adjustable inverted fork, LH | 1 |
| 6-24 | G889M6G | nut, locking M6 | 2 |
| 6-25 | Y31360005S01 | bracket, brake hose | 2 |
| 6-26 | G702M616G | bolt M6*16 | 2 |
| 6-27 | Y31210003B01 | guard, fork, RH (protector) | 1 |
| 6-28 | Y31210002B01 | guard, fork, LH (protector) | 1 |
| 6-29 | Y37370006G02 | bolt Φ10*4*M6*8 | 5 |
| 6-30 | SEE SECTION 13 | disc, brake, front, bottom | 1 |
| 6-31 | Y31170102 | brake pads, front, standard | 1 |
| 6-31 | Y31170102a | brake pads, front, asbestos free, (Australia) | 1 |
| 6-32 | G16674M825125G | bolt M8*25*1.25 | 2 |
| 6-33 | Y33B360028W02 | bracket,number plate,top | 1 |
| 6-34 | G702M612G | bolt M6*12 | 1 |
| ASSY.4 | Y31360005S01 | 24, 25, 26 | 1 |



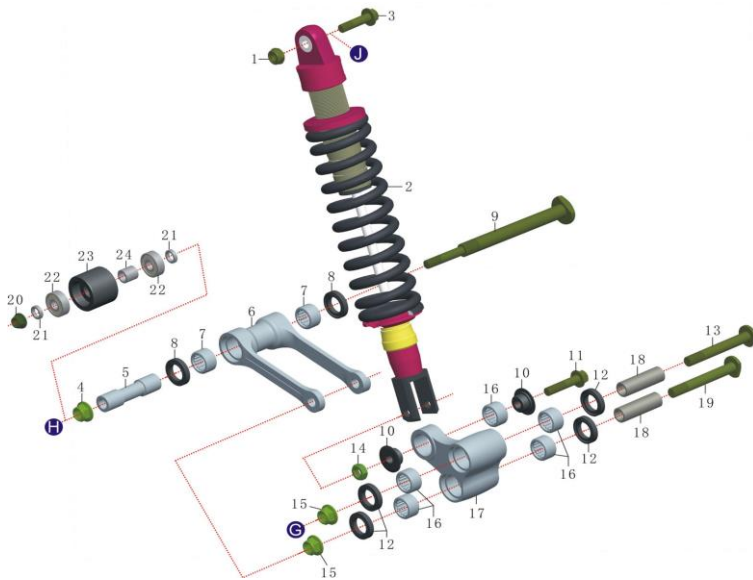
前轮总成 FRONT WHEEL ASSY. SECTION 7

| REF.No. | PART No. | DESCRIPTION | QTY |
|---------|---------------|---|-----|
| 7-1 | G6187M14150G | nut, flanged, locking M14*1.5 | 1 |
| 7-2 | Y31160007W02 | front axle spacer $\Phi 15^{\circ}\Phi 22^{\circ}25$, LH | 1 |
| 7-3 | Y31A160103 | seal, dust 22/35/6/3 | 2 |
| 7-4 | Y31A160104 | bearing 6202-2RS | 2 |
| 7-5 | Y31A160105 | front axle spacer $\Phi 22^{\circ}\Phi 15.5^{\circ}65$ | 1 |
| 7-6 | Y37370006aG02 | bolt $\Phi 9^{\circ}4^{\circ}M8^{\circ}16$ | 6 |
| 7-7 | Y31170001 | disc, brake, front $\Phi 240$ | 1 |
| 7-8 | Y31160008W02 | front axle spacer $\Phi 15^{\circ}\Phi 22^{\circ}22$, RH | 1 |
| 7-9 | Y31160001G02 | axle for front wheel $\Phi 15^{\circ}M14^{\circ}225$ | 1 |
| 7-10 | Y37160004 | inner tube protector band | 1 |
| 7-11 | Y37160005B01 | cap, air valve (plastic) | 1 |
| 7-11 | Y37160005aB01 | cap, air valve (aluminum) | |
| 7-12 | G6170M8G | nut m8 | 1 |
| 7-13 | Y37160003 | inner tube | 1 |
| 7-14 | Y37160002 | tire, front, YX, 21" | 1 |
| 7-14 | Y35B160002 | tire, front, Kenda, 21" | 1 |
| 7-15 | Y31A160102 | hub, front | 1 |
| 7-16 | Y31A160101B01 | rim, front 21" | 1 |
| 7-17 | Y37160106 | spokes | 36 |
| 7-18 | Y37160107 | nut, spokes | 36 |
| 7-19 | Y31A1601B01 | rim assy. front, 1.60*21" | 1 |



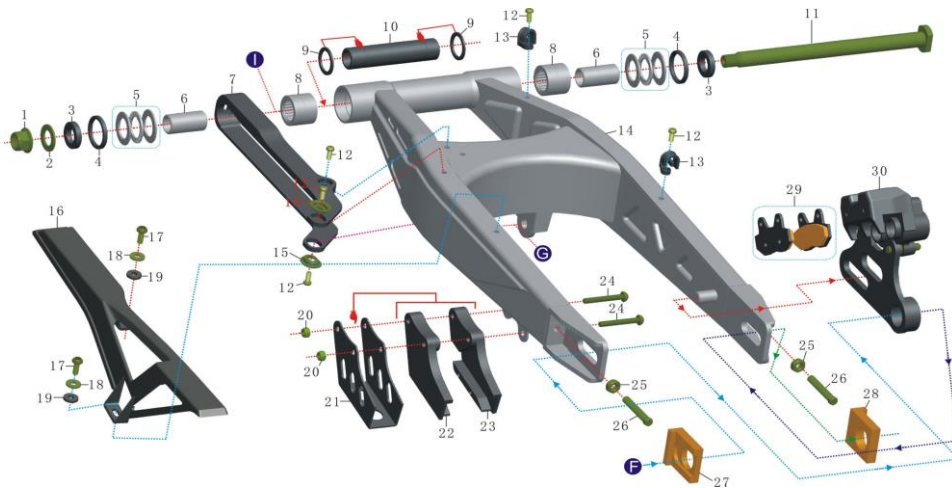
后轮总成 REAR WHEEL ASSY. SECTION 8

| REF.No. | PART No. | DESCRIPTION | QTY |
|---------|--------------------|---|-----|
| 8-1 | Y37280001G02 | axle for rear wheel $\Phi 25 \times 242 \times M24 \times 1.5$ | 1 |
| 8-2 | Y33B280007G02 | rear axle spacer $\Phi 25 \times \Phi 30 \times \Phi 40 \times 31.5$, LH | 1 |
| 8-3 | Y31A280103 | seal, dust 30-42-8-3 | 2 |
| 8-4 | Y31A280104 | rear rim bearing 6905Z | 4 |
| 8-5 | Y31A280105 | rear axle spacer $\Phi 33 \times \Phi 25.5 \times 93.5$ | 1 |
| 8-6 | G703M835125GJ | bolt M8*35*1.25 | 6 |
| 8-7 | Y33B28001042860W02 | sprocket, rear 428-60T/ $\Phi 125 \times \Phi 149$ | 1 |
| 8-8 | G97F8G | flat washer $\Phi 8$ | 6 |
| 8-9 | G889M8G | nut-flanged, lock M8 | 6 |
| 8-10 | Y31290001 | disc, brake, rear $\Phi 220$ | 1 |
| 8-11 | Y37370006aG02 | bolt $\Phi 9 \times 4 \times M8 \times 16$ | 6 |
| 8-12 | Y37280008G02 | rear axle spacer $\Phi 25 \times \Phi 30 \times \Phi 40 \times 13$, RH | 1 |
| 8-13 | Y37370002dG02 | flat washer $\Phi 25 \times \Phi 38 \times 2$ | 1 |
| 8-14 | Y37370019G02 | nut, flanged, locking M24*1.5* $\Phi 32 \times 14$ | 1 |
| 8-15 | G14212L428146 | chain 428-146L | 1 |
| 8-16 | Y37280004 | inner tube protector band | 1 |
| 8-17 | G6170M8G | nut m8 | 1 |
| 8-18 | Y37160005B01 | cap, air valve (plastic) | 1 |
| 8-18 | Y37160005aB01 | cap, air valve (aluminum) | |
| 8-19 | Y37280003 | inner tube | 1 |
| 8-20 | Y37280002 | tire, rear, YX, 18" | 1 |
| 8-20 | Y35B280002 | tire, rear, Kenda, 18" | 1 |
| 8-21 | Y35B280102S01 | hub, rear | 1 |
| 8-22 | Y31A280101B01 | rim, rear | 1 |
| 8-23 | Y37280106 | spokes | 36 |
| 8-24 | Y37280107 | nut, spokes | 36 |
| 8-25 | Y35B2801B01 | rim assy., rear, 2.15*18" | 1 |
| 8-26 | | | |



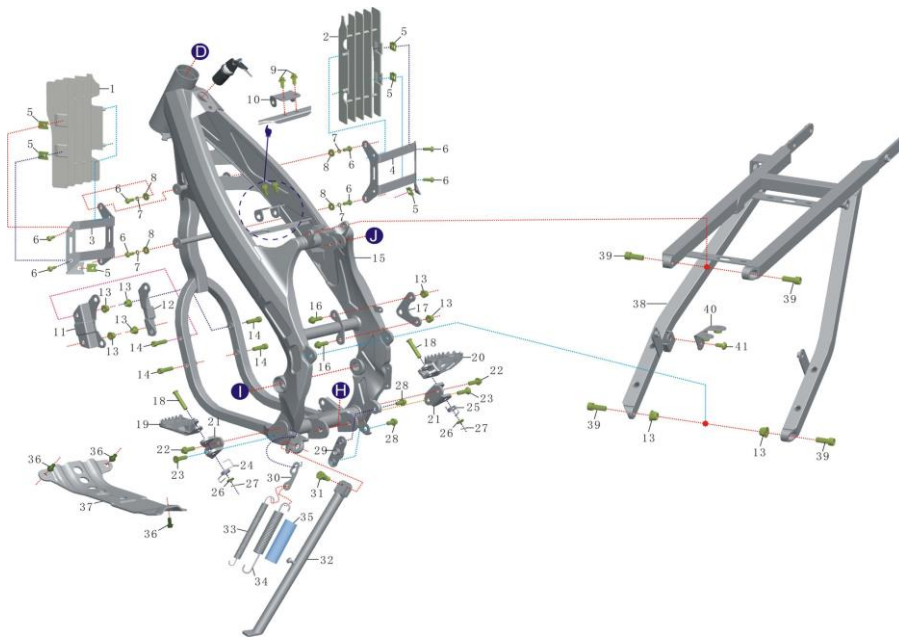
后减震/后下摇架机构 REAR SHOCK AND LINKAGE ASSY. SECTION 9

| REF.No. | PART No. | DESCRIPTION | QTY |
|---------|------------------|---|-----|
| 9-1 | G6187M10125G | nut,flanged,locking M10*1.25 | 1 |
| 9-2 | Y35B2701Y01 | rear shock | 1 |
| 9-3 | G16674M1045125GJ | bolt-flanged M10*45*1.25 | 1 |
| 9-4 | G6187M12125G | nut,flanged,locking M12*1.25 | 1 |
| 9-5 | Y35260014 | spacer $\Phi 12 \times \Phi 20 \times 78$ | 1 |
| 9-6 | Y35260012S02B | linkage, swing arm | 1 |
| 9-7 | G5801GHK202715 | bearing HK202715 | 2 |
| 9-8 | G9877F20325 | seal, dust 20*32*5 | 2 |
| 9-9 | Y33B370023G02 | bolt, flanged M12*107-M8*43 | 1 |
| 9-10 | Y33B260013 | spacer $\Phi 10 \times \Phi 20 \times 10$ | 2 |
| 9-11 | Y37370017G02 | bolt, flanged M10*44 | 1 |
| 9-12 | G9877F20325 | seal, dust 20*32*5 | 4 |
| 9-13 | G16674M1290125GJ | bolt, flanged M12*90*1.25 | 1 |
| 9-14 | G6170M10G | nut M10 | 1 |
| 9-15 | G6187M12125G | nut,flanged,locking M12*1.25 | 2 |
| 9-16 | G5801GHK2014 | bearing HK2014 | 5 |
| 9-17 | Y35260005S01 | linkage, suspension | 1 |
| 9-18 | Y37260014a | spacer $\Phi 12 \times \Phi 20 \times 56$ | 2 |
| 9-19 | Y33B370023aG02 | bolt, flanged M12*95 | 1 |
| 9-20 | G6187M8G | nut, flanged, locking M8 | 1 |
| 9-21 | Y313614W02 | spacer $\Phi 12 \times \Phi 8 \times 3$ | 2 |
| 9-22 | G276S608ZZ | bearing 608ZZ | 2 |
| 9-23 | Y31260015B01 | roller, chain guide | 1 |
| 9-24 | Y333614W02 | spacer $\Phi 8 \times \Phi 12 \times 10$ | 1 |
| 9-25 | | | |



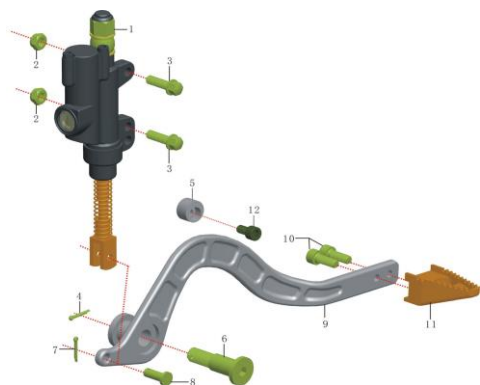
后平叉总成 REAR SWING ARM ASSY. SECTION 10

| REF.No. | PART No. | DESCRIPTION | QTY |
|---------|-----------------------|---|-----|
| 10-1 | G6187M14150G | nut, flanged, locking M14*1.5 | 1 |
| 10-2 | Y35B370002G02 | flat washer $\Phi 18 \times \Phi 30 \times 2$ | 1 |
| 10-3 | Y37260003bG02 | spacer $\Phi 17 \times \Phi 30 \times 6$ | 2 |
| 10-4 | G9877F30374 | seal, dust $30 \times 37 \times 4$ | 2 |
| 10-5 | G4663T36226 | bearing $22 \times 36 \times 6$ | 2 |
| 10-6 | Y33B260003 | spacer $\Phi 17 \times \Phi 22 \times 42$ | 2 |
| 10-7 | Y33B340002B01 | guide, chain | 1 |
| 10-8 | G5801GNK2226 | bearing NK22/26 | 2 |
| 10-9 | Y33B340005B01 | rubber washer $\Phi 23.5 \times \Phi 31 \times 2$ | 2 |
| 10-10 | Y33B260004L | spacer $\Phi 18 \times \Phi 24 \times 103$ | 1 |
| 10-11 | Y37260001G02 | bolt $\Phi 17 \times 232 \times M14 \times 1.5$ | 1 |
| 10-12 | G819M512G | bolt M5*12 | 2 |
| 10-13 | Y31210021B01 | bracket, brake hose | 2 |
| 10-14 | Y35B2601S02B | swing arm, rear, grey | 1 |
| 10-14 | Y35B2601B02B | swing arm, rear, black | 1 |
| 10-15 | Y37370007G02 | washer, oval | 2 |
| 10-16 | Y37220001B01 | cover, chain | 1 |
| 10-17 | G702M612G | bolt M6*12 | 2 |
| 10-18 | G96F6G | flat washer $\Phi 6$ | 2 |
| 10-19 | Y37340005B01 | rubber washer $\Phi 6$ | 2 |
| 10-20 | G889M6G | nut, locking M6 | 2 |
| 10-21 | Y31360004S02B | plate, chain guide | 1 |
| 10-22 | Y31340003B01 | chain guide insert, rubber, LH | 1 |
| 10-23 | Y31340004B01 | chain guide insert, rubber, RH | 1 |
| 10-24 | G702M645G | bolt M6*45 | 2 |
| 10-25 | Y37370012G02 | nut M8 | 2 |
| 10-26 | Y37370013G02 | rear jack bolts M8*50 | 2 |
| 10-27 | Y37260018S01 | adjuster, wheel, LH | 1 |
| 10-28 | Y37260019S01 | adjuster, wheel, RH | 1 |
| 10-29 | Y33290102B01 | brake pads, rear, standard | 1 |
| 10-29 | Y33290102aB01 | brake pads, rear, asbestos free (Australia) | 1 |
| 10-30 | SEE SECTION 13 | caliper, brake, rear, bottom | 1 |



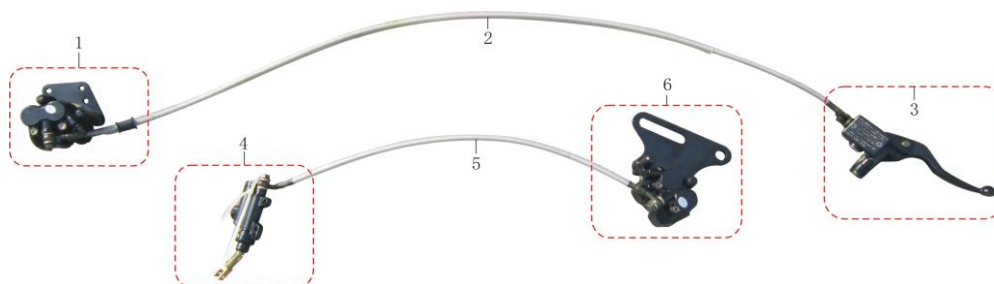
车架和后尾架总成 FRAME AND SUB-FRAME . SECTION 11

| REF.No. | PART No. | DESCRIPTION | QTY |
|---------|-----------------|---|-----|
| 11-1 | Y33B210014W01 | air deflector, LH | 1 |
| 11-2 | Y33B210015W01 | air deflector, RH | 1 |
| 11-3 | Y33B360010S02B | bracket, air deflector, LH | 1 |
| 11-4 | Y33B360011S02B | bracket, air deflector, RH | 1 |
| 11-5 | Y37370014G02 | nut M6 | 6 |
| 11-6 | G702M616G | bolt M6*16 | 8 |
| 11-7 | G93F6G | lock washer Φ6 | 4 |
| 11-8 | G96F6G | flat washer Φ6 | 4 |
| 11-9 | G16674M816125GJ | bolt-flanged M8*16*1.25 | 2 |
| 11-10 | Y35B1808S02B | bracket, engine, top | 1 |
| 11-11 | Y35B1806S02B | bracket, engine,front, LH | 1 |
| 11-12 | Y35B1807S02B | bracket, engine,rear, RH | 1 |
| 11-13 | G6187M8G | nut,flanged,locking M8 | 8 |
| 11-14 | G701M830125G | bolt M8*30*1.25 | 4 |
| 11-15 | Y35B1801S02B | frame, grey | 1 |
| 11-15 | Y35B1801B02B | frame, black | 1 |
| 11-16 | G16674M825125GJ | bolt-flanged M8*25*1.25 | 2 |
| 11-17 | Y35B1809S02B | bracket, engine | 1 |
| 11-18 | G882F843G | pin, rod Φ8*43 | 2 |
| 11-19 | Y33B240001S02B | foot rest, LH | 1 |
| 11-20 | Y33B240002S02B | foot rest, RH | 1 |
| 11-21 | Y33B240003S02B | bracket, foot rest | 2 |
| 11-22 | G16674M825125GJ | bolt-flanged M8*25*1.25 | 2 |
| 11-23 | G703M825125GJ | bolt, M8*25*1.25 | 2 |
| 11-24 | Y37360037W02 | spring, foot rest, LH | 1 |
| 11-25 | Y37360038W02 | spring, foot rest, RH | 1 |
| 11-26 | G97F8G | flat washer Φ8 | 2 |
| 11-27 | G91F225G | cotter pin 2*25 | 2 |
| 11-28 | G16674M816125GJ | bolt-flanged M8*16*1.25 | 2 |
| 11-29 | Y35B250006S01 | bracket, lever, brake, rear | 1 |
| 11-30 | Y31230004W02 | bracket, spring, kick stand | 1 |
| 11-31 | Y31370011G02 | bolt M10*25 | 1 |
| 11-32 | Y35B2302S02B | kick stand | 1 |
| 11-33 | Y31360002W02 | auxiliary kick stand spring | 1 |
| 11-34 | Y31360002aW02 | main kick stand spring | 1 |
| 11-35 | Y37340031 | cover, spring | 1 |
| 11-36 | G16674M610G | bolt-flanged M6*10 | 3 |
| 11-37 | Y371804S01 | engine skid plate (protector), aluminum | 1 |
| 11-38 | Y35B3001S02B | sub-frame | 1 |
| 11-39 | G701M825125G | bolt M8*25*1.25 | 4 |
| 11-40 | Y35B3609S02B | bracket, box, air filter | 1 |
| 11-41 | G702M612G | bolt M6*12 | 1 |



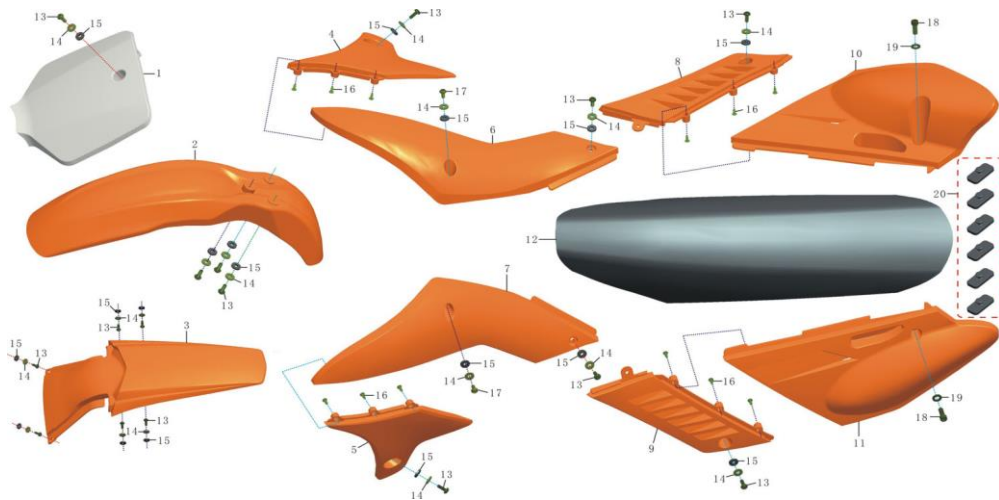
刹车机构 BRAKE ASSY. SECTION 12

| REF.No. | PART No. | DESCRIPTION | QTY |
|---------|-----------------------|--|-----|
| 12-1 | SEE SECTION 13 | master cylinder, rear | 1 |
| 12-2 | G6187M6G | nut-flanged,locking M6 | 2 |
| 12-3 | G16674M620G | bolt-flanged M6*20 | 2 |
| 12-4 | G91F225G | cotter pin $\Phi 2$ | 1 |
| 12-5 | Y373616S01 | spacer $\Phi 6.2 \times \Phi 10.5 \times \Phi 16 \times 9$ | 1 |
| 12-6 | Y33B370010G02 | bolt M10*20 | 1 |
| 12-7 | G91F225G | cotter pin $\Phi 2$ | 1 |
| 12-8 | G882F616G | pin, lever, brake | 1 |
| 12-9 | Y33B250001S02B | lever, brake, rear | 1 |
| 12-10 | G701M616G | bolt M6*16 | 2 |
| 12-11 | Y33B250002S01 | brake lever tip (alloy) | 1 |
| 12-12 | G701M612G | bolt M6*12 | 1 |



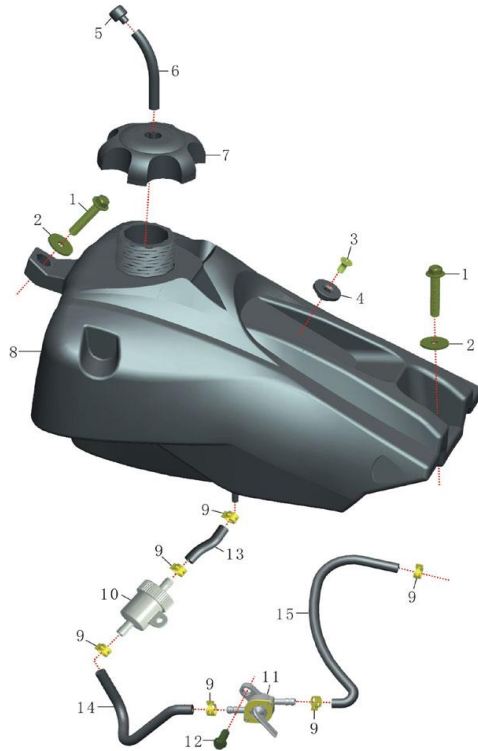
前后碟刹器总成 BRAKE ASSY.2, FT & RR . SECTION 13

| REF.No. | PART No. | DESCRIPTION | QTY |
|---------------|---------------|------------------------------|-----|
| ASSY.5 | Y35B2901B01 | brake assy., rear | 1 |
| ASSY.6 | Y311701B01 | brake assy., front | 1 |
| 13-1 | Y31170104bB01 | disc, brake, front, bottom | 1 |
| 13-2 | Y35B170106S01 | hose, brake, front | 1 |
| 13-3 | Y31170103bB01 | master cylinder, front, top | 1 |
| 13-4 | Y33290103B01 | master cylinder, rear, top | 1 |
| 13-5 | Y31A290106S01 | hose, brake, rear | 1 |
| 13-6 | Y33290104B01 | caliper, brake, rear, bottom | 1 |



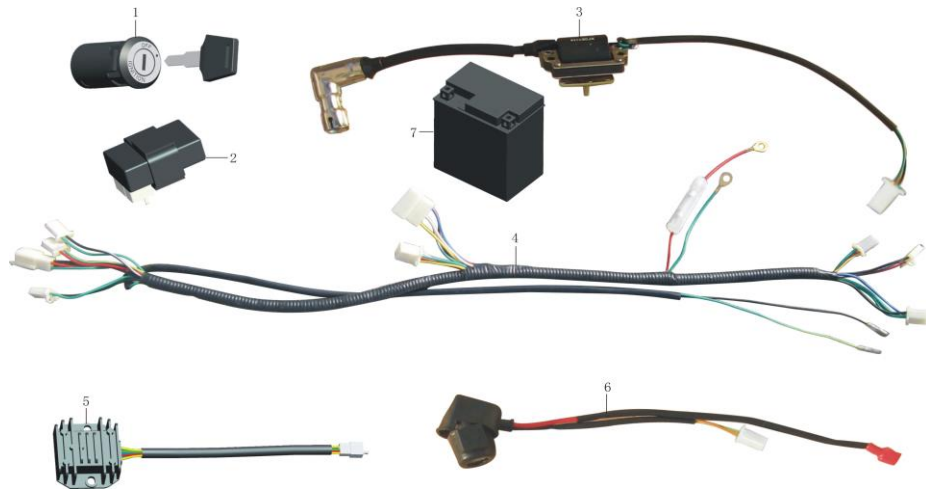
外罩总成/坐墊 FENDER AND SEAT ASSY. SECTION 14

| REF.No. | PART No. | DESCRIPTION | QTY |
|---------|---------------|--------------------------------------|-----|
| 14-1 | Y30210001W01 | number plate, front, white | 1 |
| 14-2 | Y35B150001C01 | fender, front, orange | 1 |
| 14-3 | Y35B310001C01 | fender, rear, orange | 1 |
| 14-4 | Y35210011C01 | fairing, fuel tank, upper, orange,RH | 1 |
| 14-5 | Y35210010C01 | fairing, fuel tank, upper, orange,LH | 1 |
| 14-6 | Y35210005C01 | fairing, fuel tank, orange, RH | 1 |
| 14-7 | Y35210004C01 | fairing, fuel tank, orange, LH | 1 |
| 14-8 | Y35210013B01 | fairing, rear, upper, black, RH | 1 |
| 14-9 | Y35210012B01 | fairing, rear, upper, black, LH | 1 |
| 14-10 | Y35210009W01 | fairing, rear, white, RH | 1 |
| 14-11 | Y35210008W01 | fairing, rear, white, LH | 1 |
| 14-12 | Y353201B01 | seat | 1 |
| 14-13 | G702M616G | bolt, M6*16 | 16 |
| 14-14 | G96F6G | flat washer Φ6 | 18 |
| 14-15 | Y37340005B01 | rubber washer Φ6 | 18 |
| 14-16 | G845ST4812G | bolt, ST4.8*12 | 12 |
| 14-17 | G702M612G | bolt, M6*12 | 2 |
| 14-18 | G701M820125G | bolt, M8*20 | 2 |
| 14-19 | G97F8G | flat washer Φ8 | 2 |
| 14-20 | Y33B340001B01 | pads, rubber, seat | 6 |



油箱总成 FUEL TANK ASSY. SECTION 15

| REF.No. | PART No. | DESCRIPTION | QTY |
|---------|--------------|--------------------------|-----|
| 15-1 | G701M820125G | bolt, M8*20 | 2 |
| 15-2 | G96F8G | flat washer Φ8 | 2 |
| 15-3 | G819M612G | bolt M6*12 | 1 |
| 15-4 | Y37210020B01 | bracket, seat | 1 |
| 15-5 | Y37210028B01 | cap, breather hose | 1 |
| 15-6 | Y37340010B01 | breather hose | 1 |
| 15-7 | Y371902B01 | cap, fuel tank, plastic | 1 |
| 15-7 | Y371902aS01 | cap, fuel tank, aluminum | 1 |
| 15-8 | Y351901B01 | fuel tank | 1 |
| 15-9 | Y373617G03 | clamp, hose Φ8 | 6 |
| 15-10 | Y371904 | filter, fuel | 1 |
| 15-11 | Y301903 | pet-cock, fuel | 1 |
| 15-12 | G701M616G | bolt, M6*16 | 1 |
| 15-13 | Y31340011B01 | hose, fuel 1 L=100mm | 1 |
| 15-14 | | hose, fuel 2 L=40mm | 1 |
| 15-15 | | hose, fuel 1 L=160mm | 1 |
| 15-16 | | | |
| 15-17 | | | |



电器件 ELECTRICAL COMPONENTS . SECTION 16

| REF.No. | PART No. | DESCRIPTION | QTY |
|---------|------------|-------------------|-----|
| 16-1 | Y31780101 | key switch assy. | 1 |
| 16-2 | Y318401 | CDI | 1 |
| 16-3 | Y318301B01 | Ignition coil | 1 |
| 16-4 | Y35B8001 | wiring harness | 1 |
| 16-5 | Y318501 | rectifier | 1 |
| 16-6 | Y378202a | solenoid, starter | 1 |
| 16-7 | Y378101 | battery 12V, 7AH | 1 |
| 16-8 | | | |
| 16-9 | | | |
| 16-10 | | | |
| 16-11 | | | |
| 16-12 | | | |
| 16-13 | | | |
| 16-14 | | | |
| 16-15 | | | |
| 16-16 | | | |
| 16-17 | | | |
| 16-18 | | | |

