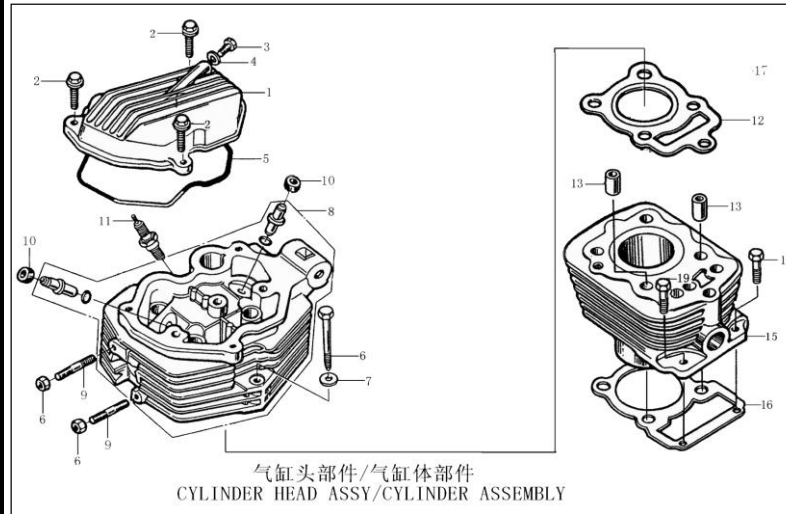




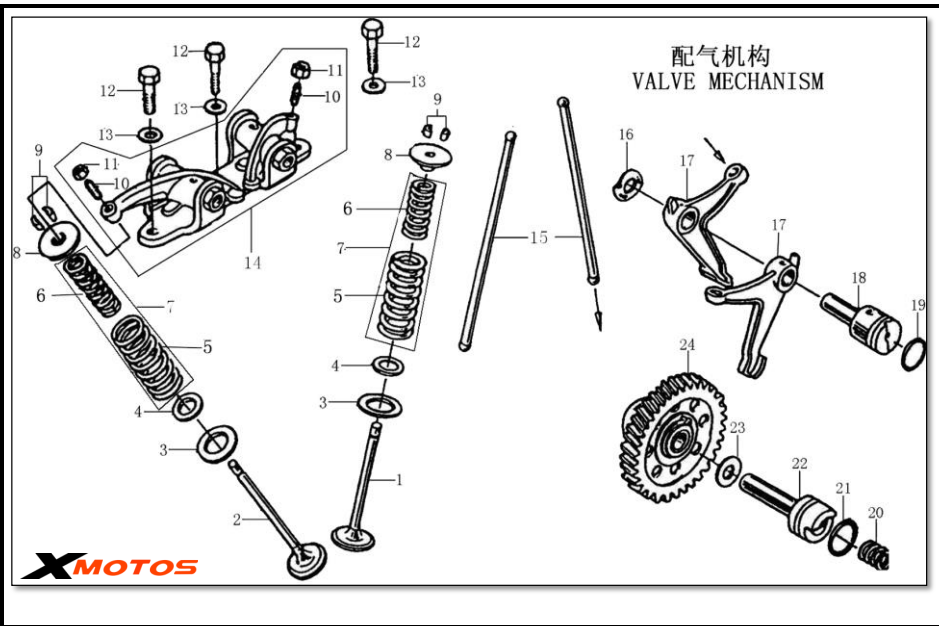
ZONGSHEN CG-150 ks

CYLINDER ASSY. (S1)

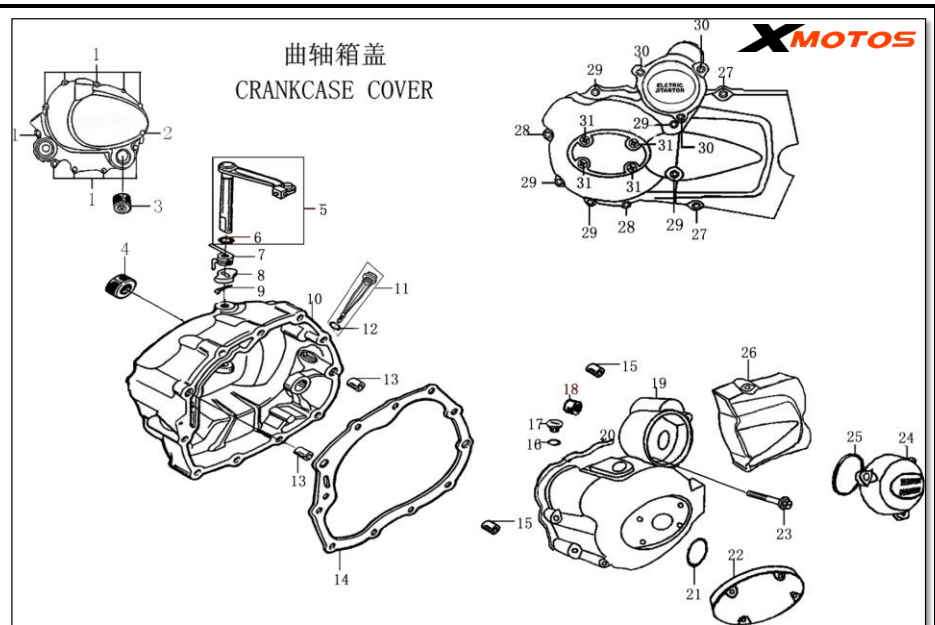
REF.No.	PART No.	DESCRIPTION	QTY
1	11226-I008-000086	UPPER COVER, CYLINDER HEAD	1
2	B057890006002870X	BOLT M6×28	3
3	B057890006001270X	BOLT M6×12	1
4	93301-70621513000	WASHER 6.5×1.5×12	1
5	90103-I008-0000	SEAL RING OF UPPER COVER,CYLINDER HEAD	1
6	91104-I008-00000X	BOLT M8×78	1
7	93301-80852018000	WASHER 8.5×2×18	1
8	1122B-J034-000086	CYLINDER HEAD ASSY	1
9	91138-I008-00000X	BOLT M6×35	2
10	1572B-I008-0000	SEAL, VALVE STEM	2
11	81300-I006-0000	SPARK PLUG	1
12	9022B-J034-0100	GASKET ASSY,CYLINDER HEAD	1
13	91521-10002000000	PIN 10×20	2
14	91113-I008-00000X	BOLT M6×22	2
15	1110B-J034-000086	CYLINDER ASSEMBLY	1
16	90205-J034-0000	GASKET,CYLINDER BLOCK	1



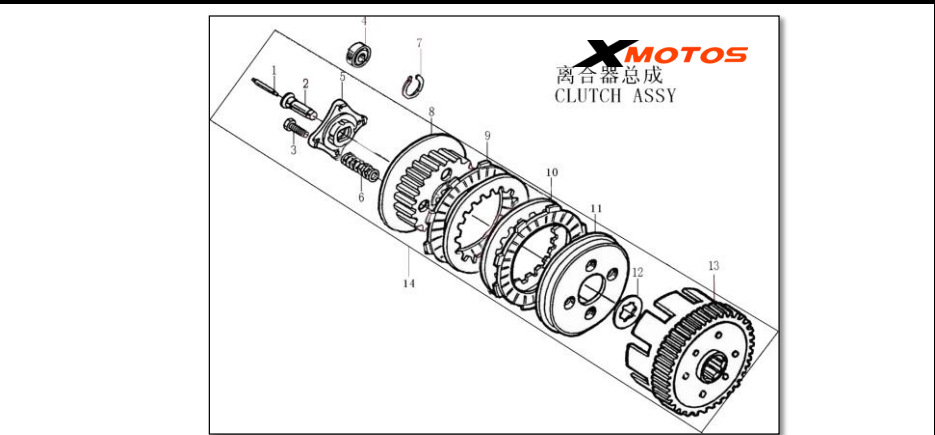
VALVE ASSY. (S2)			
REF.No.	PART No.	DESCRIPTION	QTY
1	15701-J034-0000	INLET VALVE	1
2	15702-J034-0000	EXHAUST VALVE	1
3	15706-I008-0000	RETAINER, VALVE SPRING	2
4	15708-I008-0000	SPRING SEAT	2
5	15703-I008-0000	VALVE OUTER SPRING	2
6	15704-I008-0000	VALVE INNER SPRING	2
7	15710-I008-0000	INNER SPRING, ASSY	2
8	15705-I008-0000	SPRING SEAT	2
9	15707-I008-0000	VALVE KEEPER	4
10	15404-I008-0000	SCREW, VALVE CLEARANCE	2
11	15403-I008-0000	NUT, VALVE CLEARANCE	2
12	91180-I008-0000	BOLT M8x28	3
13	93301-80852018000	WASHER 8.5x2x18	3
14	1540A-I008-0000	ROCKER ARM ASSEMBLY, VALVE	1
15	1532A-I008-0001	PUSH LEVER COMP	2
16	93303-51230220900	WAVE WASHER 12.3x0.2x20.9	1
17	15407-I008-0000	LOWER ROCKER ARM	2
18	15408-I008-0000	SHAFT, LOWER ROCKER ARM	1
19	90101-20180000250	O-RING 18x2.5	1
20	15109-I008-0000	SPRING	1
21	90101-20200000250	O-RING 20x2.5	1
22	15105-J034-0000	AIR MLET CAM SHAFT	1
23	93301-51421024000	WASHER 14.2x1x24	1
24	1510A-I008-0000	NG DRIVEN SPROCKET COMP	1



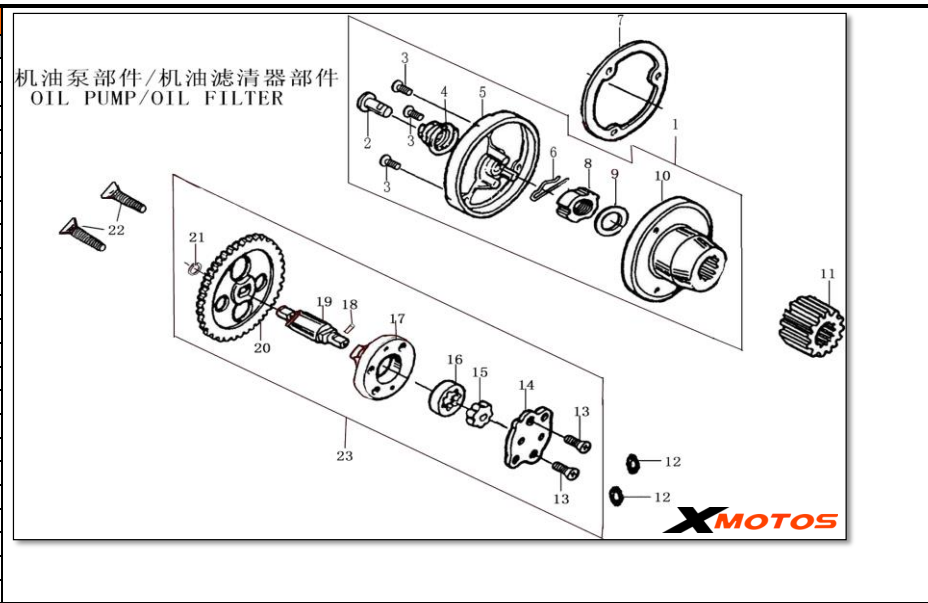
CRANKCASE COVERS, LH - RH (S3)			
REF.No.	PART No.	DESCRIPTION	QTY
1	B166740A06004070X	BOLT M6×40	10
2	B166740A06005070X	BOLT M6×50	1
3	12426-I008-0000	OIL LEVEL SIGHT WINDOW	1
4	90304-I006-0000	OIL SEAL 16×28×7	1
5	2242A-I008-00000X	CONTROLLING ARM ASSEMBLY, CLUTCH	1
6	90101-20065000190	O-RING 6.5×1.9	2
7	22427-I008-0000	CLUTCH CONTROLLING ARM SPRING	1
8	22429-I008-0000	CLUTCH SEPARATION CAM	1
9	91523-I008-0000	CLUTCH LEVER PIN	1
10	12421-I008-100185	COVER COMP. RIGHT CRANKCASE	1
11	14301-I006-0000	OIL RULER ASSY	1
12	90101-10180000300	O-RING 18×3	1
13	91521-08001400000	PIN 8×14×6.3	2
14	90206-I008-0000	GASKET, R.CRANKCASE COVER	1
15	91521-10001400000	PIN 10×14	2
16	90101-10132000265	O-RING 13.2×2.65	1
17	12303-G011-000085	CAP, SMALL VIEW HOLE	1
18	92102-I008-0001	BEARING	1
19	12301-I008-100085	CRANKCASE COVER, LH	1
20	90204-I008-0000	GASKET, L.CRANKCASE COVER	1
21	90101-10274000265	O-RING 27.4×2.65	1
22	12307-I008-10010G	DECORATE COVER ,L.CRANKCASE COVER	1
23	B166740A06002570B	BOLT M6×25	1
24	12308-I008-400085	COVER , REDUCTION GEAR	1
25	90101-10620000300	O-RING 62×3	1
26	12302-I008-050085	BACK PART, L.CRANKCASE COVER	1
27	B166740A06002870X	BOLT M6×28	2
28	B166740A06005070X	BOLT M6×50	2
29	B166740A06004070X	BOLT M6×40	5
30	B166740A06002070X	BOLT M6×20	3
31	B008180006001220X	SCREW M6×12	4



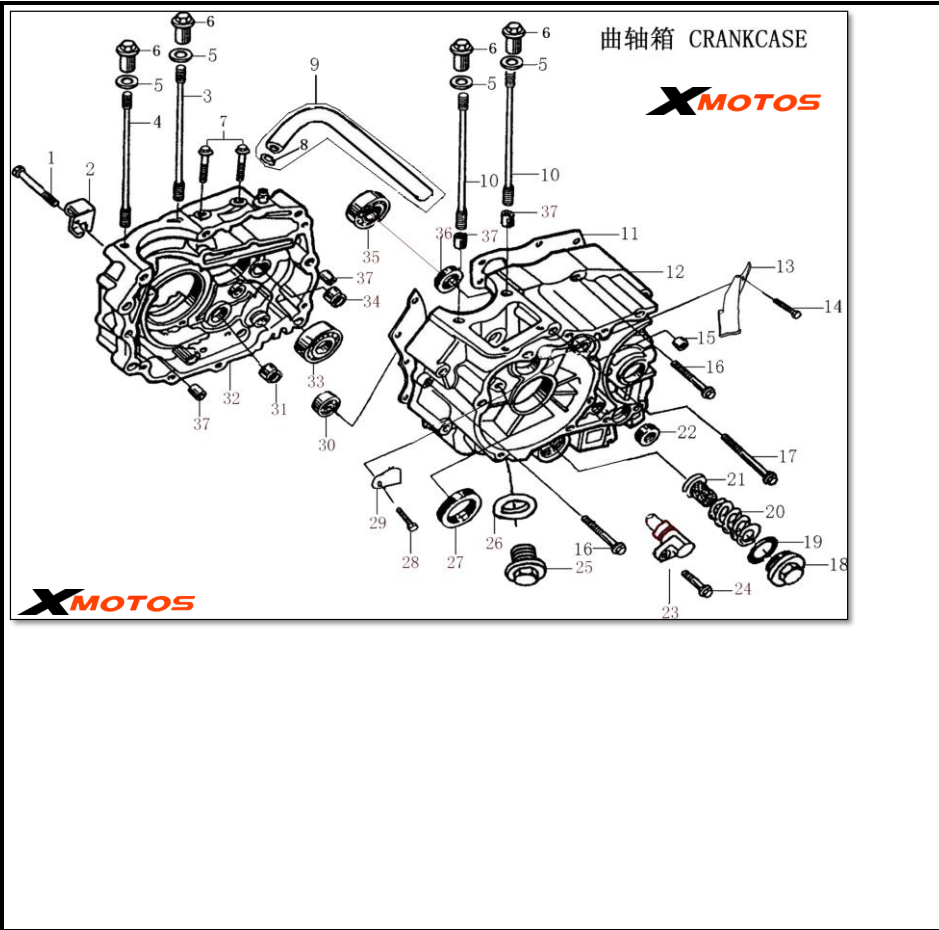
CLUTCH ASSY. (S4)			
REF.No.	PART No.	DESCRIPTION	QTY
1	22314-I008-0000	ROD,CLUTCH PUSH	1
2	22401-I008-0000	SEPARATING AXLE SLEEVE	1
3	B166740A06002270B	BOLT M6×22	4
4	92102-00000006001	BEARING (6001)	1
5	22121-I008-0000	END COVER,CLUTCH	1
6	22142-I006-0000	SPRING, CLUTCH	4
7	91403-I008-0000	ELASTIC CHECK RING	1
8	22105-I006-0000	CENTER SLEEVE, CLUTCH	1
9	22214-I006-0000	DRIVE FRICTION DISK	5
10	22215-I006-0000	OUTER FRICTION DISK A	4
11	22122-I006-0000	PRESSURE PLATE, CLUTCH	1
12	22002-I006-0000	WASHER	1
13	22150-I008-0000	OUT CASE ASSEMBLY, CLUTCH	1
14	22000-I008-0100	CLUTCH ASSY	1



OIL PUMP ASSY. (S5)			
REF.No.	PART No.	DESCRIPTION	QTY
1	14200-1006-0000	OIL FILTER,COMP	1
2	14201-1006-0000	OIL PIPE	1
3	B008190105001220B	SCREW M5×12	3
4	14202-1006-0000	SPRING, OIL PIPE	1
5	14207-1006-0000	OIL FILTER COVER	1
6	14208-1006-0000	OPEN PIN	1
7	90209-1006-0000	GASKET, OIL FILTER	1
8	91203-1008-0000	NUT	1
9	22004-1006-0000	DISH WASHER, CLUTCH	1
10	14205-1006-0000	OIL FILTER BODY	1
11	23101-1008-0000	PRIMARY DRIVE GEAR	1
12	90101-10094000240	O-RING 9.4×2.4	2
13	B008180004001020B	SCREW M4×10	2
14	14108-1008-0000	OIL PUMP COVER	1
15	14111-1008-0000	INNER ROTOR, OIL PUMP	1
16	14112-1008-0000	OUTER ROTOR, OIL PUMP	1
17	14110-1008-0000	OIL PUMP BODY	1
18	B0011902025100000	PIN 2.5×10	1
19	14107-1008-0000	SHAFT,OIL PUMP	1
20	14108-1008-0001	OIL PUMP GEAR ASS.	1
21	B0089600060000000	CIRCLIP 6	1
22	B008190106003020B	SCREW M6×30	2
23	14100-1008-0001	OIL PUMP ASSY	1

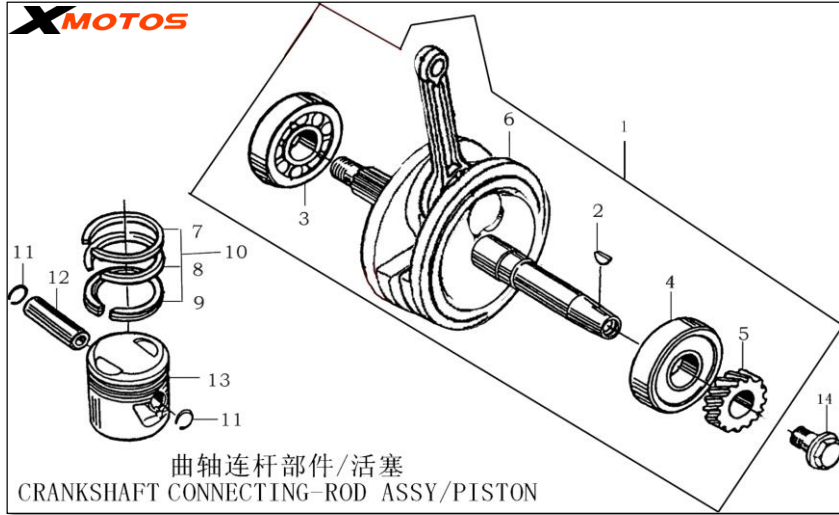


CRANKCASE, LH - RH (S6)			
REF.No.	PART No.	DESCRIPTION	QTY
1	B166740A06005570X	BOLT M6×55	1
2	22422-1008-00030X	HOLDER, CLUTCH CABLE	1
3	91101-1008-0100	CYLINDER STUD BOLT A	1
4	91101-1008-0200	CYLINDER STUD BOLT A	1
5	93301-C125202200B	WASHER 12.5×2×22	4
6	91212-1008-00000C	NUT	4
7	B057890006002870X	BOLT M6×28	2
8	18097-1008-0000	CLAMP	1
9	12130-1008-0001	PIPE ASSY	1
10	91102-1008-0200	CYLINDER STUD BOLT B	2
11	90208-1008-0000	GASKET, CRANKCASE	1
12	1212B-J034-010085	LEFT CRANKCASE BLOCK	1
13	12103-1008-0000	POSITION PLATE	1
14	B166740A06001270B	BOLT M6×12	1
15	92102-1008-0001	BEARING	1
16	B166740A06005070X	BOLT M6×50	9
17	B166740A06009570X	BOLT M6×95	1
18	11230-1006-00000W	COVER, VALVE CHAMBER	1
19	90101-20350000300	O-RING 35×3	1
20	14221-1006-0000	SPRING, OIL FILTER STRAINER	1
21	1431B-1006-0000	STRAINER, OIL FILTER	1
22	90301-1006-0000	OIL-SEAL 14×28×7	1
23	1213B-1008-0000	PRESSING PIN BODY ASSY	1
24	B166740A06002570B	BOLT M6×25	1
25	91103-1008-00000X	OIL DRAIN PLUG	1
26	93301-71242020000	WASHER 12.4×2×20	1
27	90302-1008-0000	OIL-SEAL 34×50×7	1
28	B057830006001270B	BOLT M6×12	1
29	15108-1008-0000	STOP PLATE, CAMSHAFT	1
30	92102-0000006202Z	BEARING (6202Z)	1
31	92102-000HK212810	BEARING (HK212810)	1
32	1222B-J034-000185	RIGHT CRANKCASE BLOCK	1
33	92102-0000006006	BEARING (6006)	1
34	92102-000NK152312	BEARING (NK152312)	1
35	92102-0000006204	BEARING (6204)	1
36	90303-1006-0000	OIL SEAL 20×34×7	1
37	91521-10001400000	PIN 10×14	4

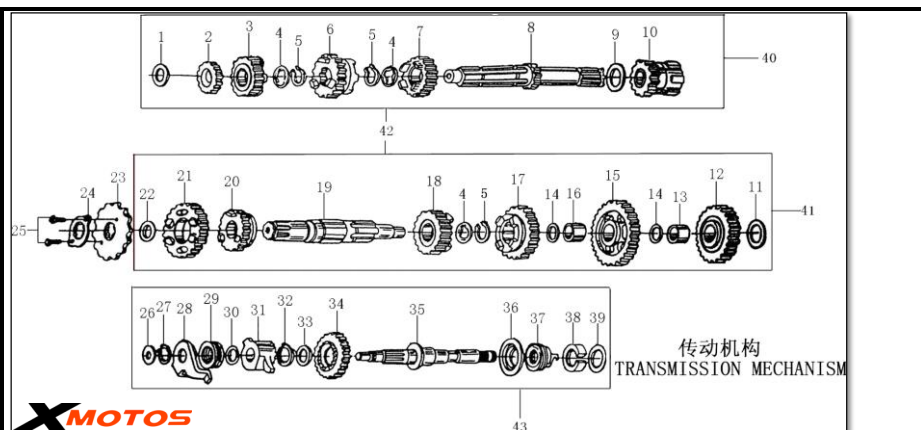


CRANKSHAFT / PISTON ASSY. (S7)

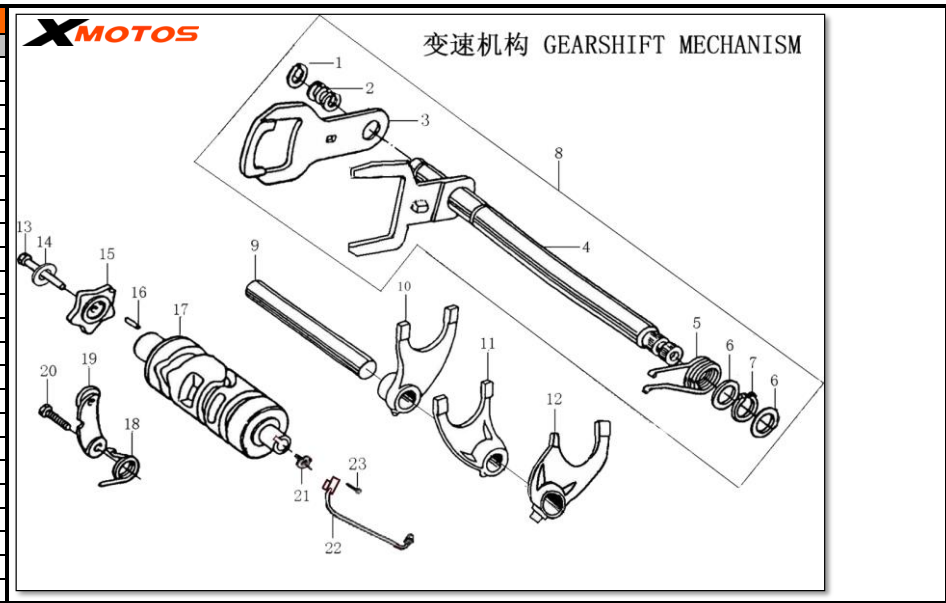
REF.No.	PART No.	DESCRIPTION	QTY
1	1320B-J034-2000	CRANKSHAFT CONNECTING-ROD ASSY	1
2	91601-I008-0000	SEMICIRCULAR KEY	1
3	92102-00063-28-P5	BEARING (63/28/P5)	1
4	92102-63-28-RS-P5	BEARING (63/28-RS/P5)	1
5	13222-I008-0000	HUB DUMP CHAIN SPROCKET	1
6	13220-J034-0300	CONNECTING ROD COMP 3	1
7	13103-J034-0000	PISTON RING 1	1
8	13104-J034-0000	PISTON RING 2	1
9	13120-J034-0000	OIL RING ASSY	1
10	1310A-J034-0000	PISTON RING COMP	1
11	91401-I006-0000	CLIP, PISTON PIN	2
12	13102-J034-0000	PIN PISTON	1
13	13101-J034-0300	PISTON	1
14	91106-I008-0000	BOLT M10x36	1



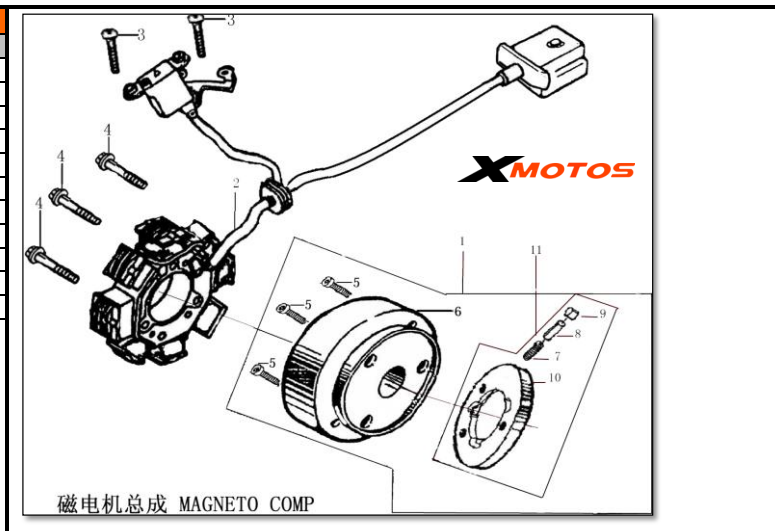
TRANSMISSION / COUNTER-SHAFT / KICK START ASSY. (S8)			
REF.No.	PART No.	名称	QTY
1	93301-61521025000	WASHER 15.2×1×25	1
2	23222-I008-0002	GEAR M-2	1
3	23222-I008-0005	GEAR M-5	1
4	23223-I006-0000	WASHER	3
5	23226-I008-0000	CIRCLIP	3
6	23222-I008-0004	GEAR M-4	1
7	23222-I008-0003	GEAR M-3	1
8	23221-I008-0000	TRANSMISSION MAIN SHAFT	1
9	93301-62020527000	WASHER 20.2×0.5×27	1
10	23231-I008-0000	FINAL SHAFT	1
11	93301-61521030000	WASHER 15.2×1×30	1
12	23248-I008-0000	GEAR	1
13	23203-I008-0003	GEAR BUSH	1
14	93301-51650524000	WASHER 16.5×0.5×24	2
15	23242-I008-0001	GEAR C-1	1
16	23203-I008-0001	GEAR BUSH	1
17	23242-I008-0003	GEAR C-3	1
18	23242-I008-0004	GEAR C-4	1
19	23241-I008-0000	TRANSMISSION COUNTER SHAFT	1
20	23242-I008-0005	GEAR C-5	1
21	23242-I008-0002	GEAR C-2	1
22	93301-52001027000	WASHER 20×1×27	1
23	23401-I008-0008	DRIVE SPROCKET	1
24	23402-I006-0000	FIXING PLATE,DRIVE SPROCKET	1
25	B057830006001070B	BOLT M6×10	2
26	93301-51211018000	WASHER 12.1×1×18	1
27	B0089401160000000	CIRCLIP 16	1
28	2112B-I008-0000	GUIDE PLATE ASS.	1
29	21119-I008-0000	SPRING, KICK STARTING RATCHET WHEEL	1
30	93301-51611024000	WASHER 16.1×1×24	1
31	21118-I008-0000	STARTING RATCHET	1
32	91402-I008-0000	CIRCLI φ18.5×1.2×φ22.4	1
33	93301-62000527000	WASHER 20×0.5×27	1
34	21117-I008-0000	GEAR, KICK STARTER	1
35	21107-I008-0001	PIVOT, KICK STARTING SHAFT	1
36	21104-I008-0000	SEAT, SPRING, KICK STARTING SHAFT	1
37	21106-I008-0000	RETURN SPRING, KICK STARTING SHAFT	1
38	21111-I008-0000	COLLAPSIBLE	1
39	93301-51611030000	WASHER 16.1×1×30	1
40	23220-I008-0000	MAIN SHAFT, TRANSMISSION	1
41	23240-I008-0001	COUTERSHAFT TRANSMISSION	1
42	23200-I008-0001	TRANSMISSION MAIN,COUNTER SHAFT	1
43	21100-I008-0202	KICK STARTING SHAFT ASSEMBLY	1



GEAR SHIFT ASSY. (S9)			
REF.No.	PART No.	名称	QTY
1	B0089401120000000	CIRCLIP 12	1
2	24303-I008-0000	SPRING, GEARSHIFT PLATE	1
3	24319-I008-0000	GEARSHIFT PLATE	1
4	24301-I008-00000C	GEARSHIFT SHAFT COMP	1
5	24302-I008-0000	RETURN SPRING	1
6	93301-51400520000	WASHER 14x0.5x20	2
7	B0089401140000000	CIRCLIP 14	1
8	24300-I008-00010C	GEARSHIFT LEVER COMP	1
9	24107-I006-0000	SHAFT, GEARSHIFT FORK	1
10	24104-I006-0000	RIGHT FORK, COUNTERSHAFT	1
11	24106-I006-0000	CENTER FORK, MAINSHAFT	1
12	24105-I006-0000	LEFT FORK, COUNTERSHAFT	1
13	91126-I008-00000B	BOLT	1
14	B0009300060000000	WASHER φ6	1
15	24202-I008-0600	STOPPING PLATE	1
16	B0011901040100000	PIN 4x10	1
17	24213-I008-0600	GEARSHIFT DRUM	1
18	24304-I006-0100	SPRING ,LOCATING PLATE	1
19	2434A-I008-0400	LOCATING PLATE ASSY	1
20	91115-I008-00000B	BOLT FIXING PLATE	1
21	88004-I008-0100	CONTACT, CEARINDICATION	1
22	88031-I008-150045	GEARSHIFT SWITCH COMP	1
23	B008190106002020B	SCREW M6x20	1



MAGNETO / FLYWHEEL ASSY. (S10)			
REF.No.	PART No.	名称	QTY
1	82130-I008-0100	ROTOR ASSY,MAGNETO	1
2	82120-I008-020043	STATOR ASSY,MAGNETO	1
3	B057830005001670B	BOLT M5x16	2
4	B057830005002570B	BOLT M5x25	3
5	91197-I008-00000C	BOLT M8x18	3
6	82130-I008-0101	ROTOR ASSY,MAGNETO	1
7	21303-I008-0000	SPRING	3
8	21305-I008-0000	CONE BILOCKAGE	3
9	21304-I008-0000	CLUTCH ROLLER	3
10	21301-I008-0000	ASSEMBLY, SPIDER	1
11	21300-I008-0000	ASSEMBLY, OVERRUNNING CLUTCH	1



STARTER ASSY. (S11)			
REF.No.	PART No.	名称	QTY
1	82200-I008-440151	STARTING MOTOR ASSY	1
2	21402-I008-0100	SHAFT,REDUCTION	1
3	93301-51050518000	WASHER 10.5×0.5×18	4
4	2140A-I008-0103	GEAR, REDUCTION, 1	1
5	21401-I008-1100	GEAR, REDUCTION, 2	1
6	2142A-I008-0100	PLATE GEAR ASSY	1

