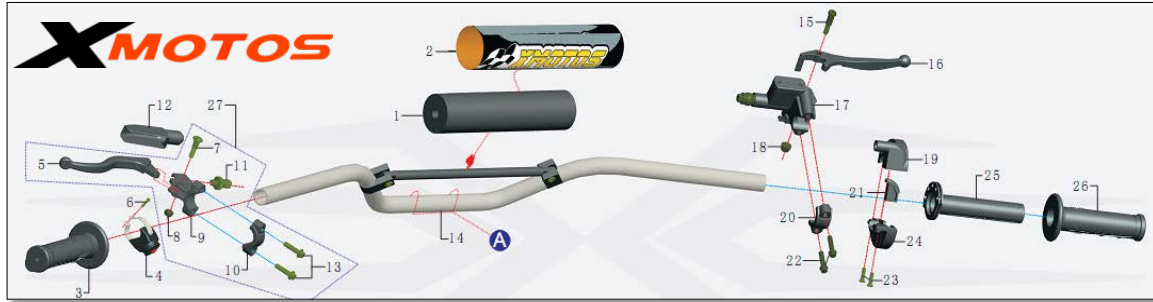
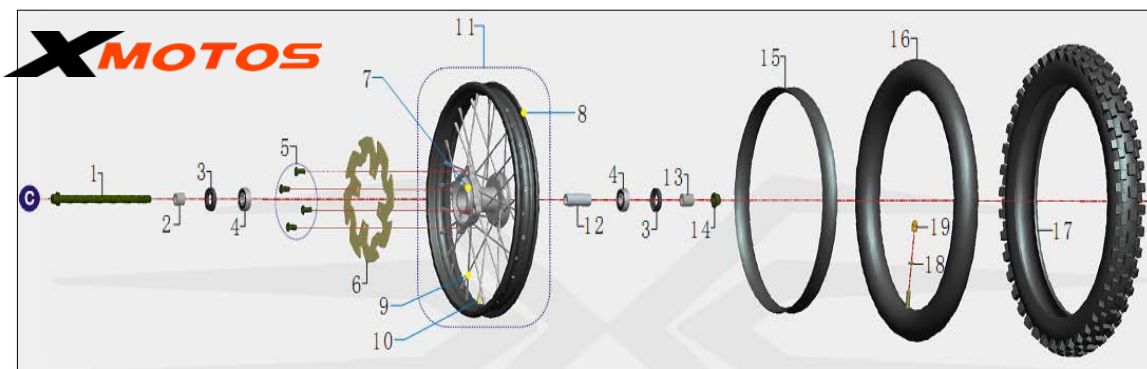


XT140 (XB-33)



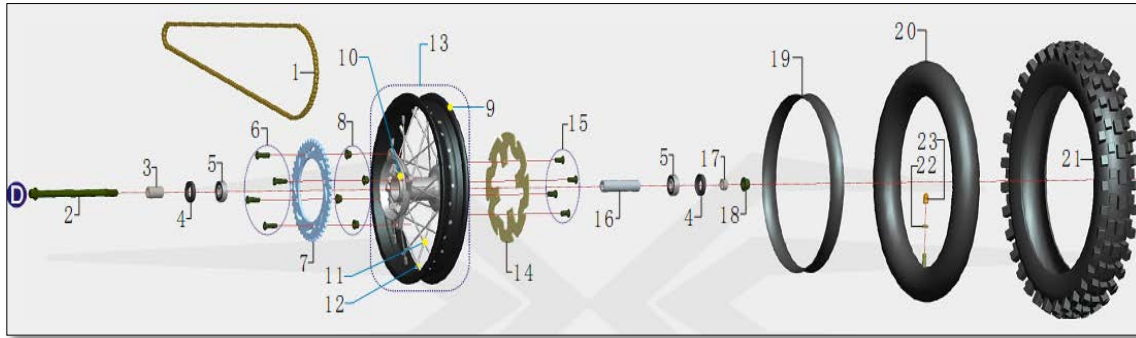
HANDLE BAR ASSY.

Ref. No.	PART No.	DESCRIPTION	Qty.
1	10010014020100	foam padding, crossbar 1	1
2	10010014010300	cover, foam padding,	1
3	03007101010100	grip, LH	1
4	05025011000000	switch, stop	1
5	03012010302030-1	lever, clutch (assy. set)	1
6	GB/T70.2M4*14	bolt M4*14	1
7	03011010101020	bolt, housing, cluth lever	1
8	GB/T889M6	nut, locking M6	1
9	03012010302030-2	housing, clutch lever (assy. set)	1
10	03012010302030-3	bracket, lever housing	1
11	03012010302030-4	adjuster, lever, clutch (assy. set)	1
12	06100005014100	lever, clutch grip	1
13	GB/T5787 M6*25	bolt-flanged M6*25	2
14	3001004204000	handel bar, steel, 740 low	1
		handel bar, alloy, 740 low	1
15	03012010302030-1	bolt, brake lever (assy. set)	1
16	03012010302030	lever, brake	1
17	03030040330102-1	master cylinder, front	1
18	GB/T889M6	nut, locking M6	1
19	03013010110000	housing, throttle, top	1
20	03012010302030-3	bracket, housing, lever	1
21	03015010110000	guide, throttle cable	1
22	GB/T5787 M6*25	bolt-flanged M6*25	2
23	GB/T5787 M6*20	bolt-flanged M6*20	2
24	03014010110000	housing, throttle, bottom	1
25	03009101000100	insert, throttle handle	1
			1
26	03008101010100	grip, right	1
27	03012010302030	lever, clutch assy.	1



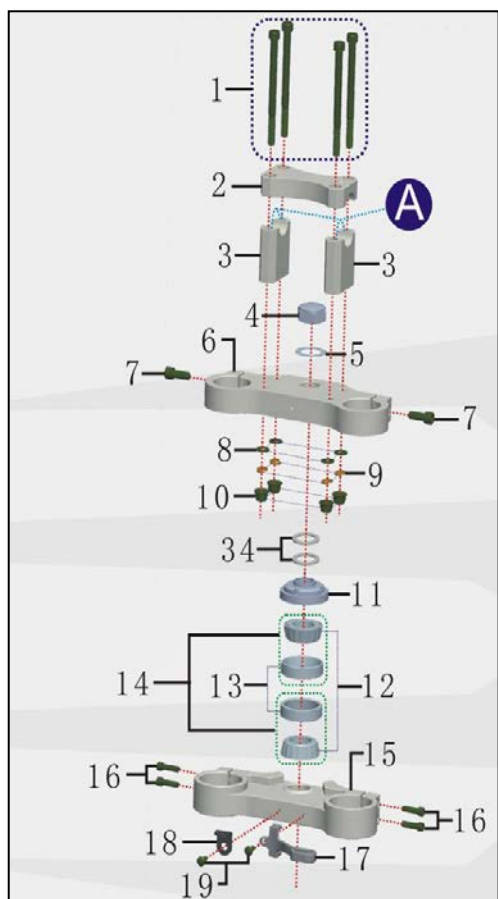
FRONT WHEEL ASSY.

Ref. No.	PART No.	DESCRIPTION	Qty.
1	GB/T5787 M12*215	bolt, flanged M12*215	1
2	09010010210000	spacer $\Phi 12.5 \times \Phi 20 \times 18$	1
3	12160101310000	seal, dust 20/37/7	2
4	12070010004000	bearing 6301-2RS	2
5	12202105374100	bolt M8*16	4
6	03032030204000	disc, brake, front, 200mm	1
7	04010020220020	hub, front	1
8	04010010110030	rim, front, steel, 14"	1
9	04010040210060	spoke	36
10	04010050210010	nut, spoke	36
11	04006101020030	rim assy. front, steel, 14"	1
		rim assy. front, alloy, 14"	1
12	04006101020030-GT	spacer $\Phi 12.5 \times \Phi 20 \times 56$	1
13	09010014210000	spacer $\Phi 12.5 \times \Phi 20 \times 24$	1
14	GB/T6187M12	nut, flanged, locking M12	1
15	04017003010000	inner tube protector band	1
16	04016003010000	inner tube	1
17	04015100301000	tire, front	1
18	GB/T6170 M8	nut m8	1
19	04018101000000	cap, air valve	1



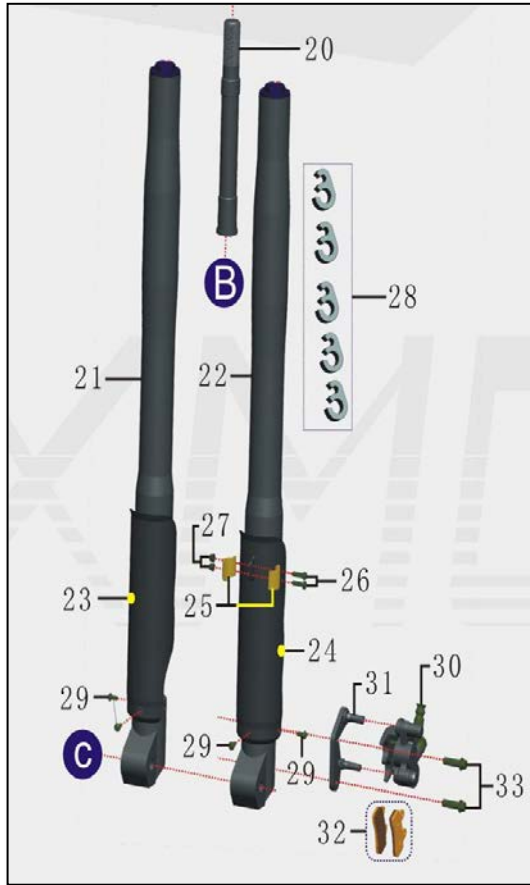
REAR WHEEL ASSY.

Ref. No.	PART No.	DESCRIPTION	Qty.
1	04020201610100	chain 428-114L	1
2	GB/T5787 M12*205	bolt, flanged M12*205	1
3	09010020210000	spacer $\Phi 12.5 \times \Phi 20 \times 35$	1
4	12160101310000	seal, dust 20/37/7	2
5	12070010003000	bearing 6201-2RS	2
6	12202105574100	bolt M8*25	4
7	04021207020201	sprocket, rear 420-43T	1
8	GB/T889M8	nut, locking M8	4
9	04010010110150	rim, rear, steel, 12"	1
10	04010030220020	hub, rear	1
11	04010040210070	spoke	36
12	04010050210010	nut, spoke	36
13	04007101020080	rim, rear assy. Steel, 12"	1
		rim, rear assy. alloyl, 12"	1
14	03033020204000	disc, brake, rear, 190mm	1
15	12202105374100	bolt M8*16	4
16	04007101020080-GT	spacer $\Phi 12.5 \times \Phi 20 \times 91$	1
17	09010004210000	spacer $\Phi 12.5 \times \Phi 20 \times 10$	1
18	GB/T6187M12	nut, flanged, locking M12	1
19	04017002010000	inner tube protector band	1
20	04016009010000	inner tire for rear wheel	1
21	04015100901000	tire, rear	1
22	GB/T6170 M8	nut m8	1
23	04018101000000	cap, air valve	1



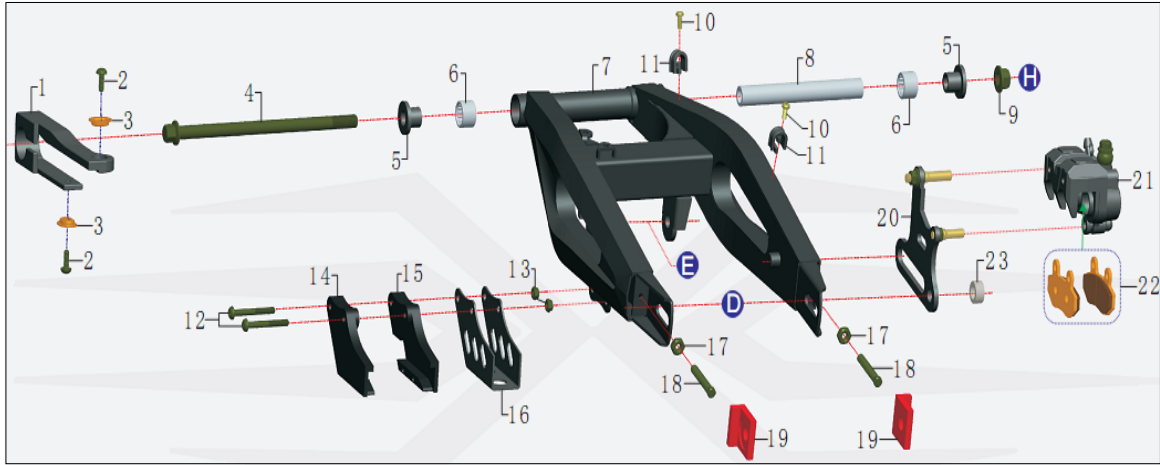
HANDLEBAR STEERING STEM AND FRONT SHOCK STRUCTURE

Ref. No.	PART No.	DESCRIPTION	Qty.
1	GB/T70.1M8*100	bolt M8*100	4
2	03004022103030	riser, handle bar, top	1
3	03005022103031	riser, handle bar, bottom	2
4	12200701171600	nut, cap, steering stem M22	1
5	12201700101300	flat washer $\Phi 36 * \Phi 22.5 * 0.5$	1
6	03002310403032	triple clamp, top, alloy	1
7	GB/T70.1M8*20	bolt M8*20	2
8	GB/T96 $\Phi 8$	flat washer $\Phi 8$	4
9	GB/T93 $\Phi 8$	lock washer $\Phi 8$	4
10	GB/T889M8	nut, locking	4
11	12201901171300	nut, locking, steering M22* $\Phi 55$	1
12	12070040003000-1	bearing 32005X	2
13	12070040003000-2	bearing race	2
14	12070040003000	bearing assy. 32005X	2
15	03003310603002	triple clamp, bottom, alloy	1
16	GB/T70.1M6*20	bolt M6*20	4
17	06100025012200	bracket, brake hose, (plastic)	1
18	08034006010100	bracket, number plate	1
19	GB/T818M5*16	bolt, phillips head M5*16	2



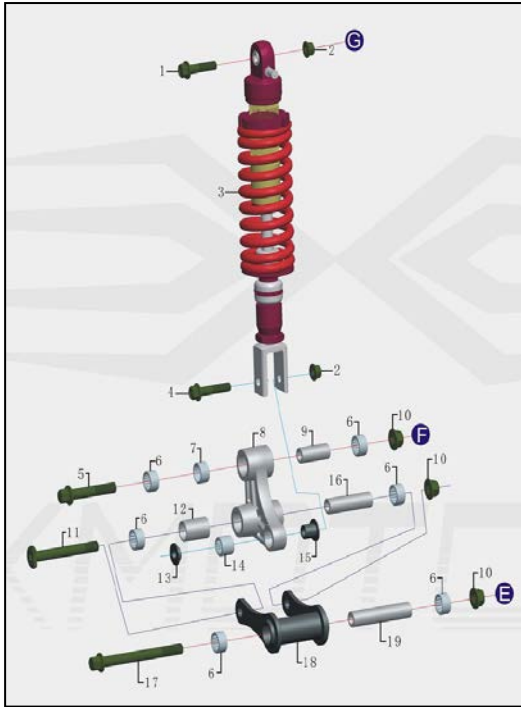
HANDLEBAR STEERING STEM AND FRONT SHOCK STRUCTURE

Ref. No.	PART No.	DESCRIPTION	Qty.
20	03006050111000	steering stem M22*227mm	1
		non adjustable inverted fork, RF	1
		non adjustable inverted fork, LF	1
21	04008111004020-R	adjustable inverted fork, RF	1
22	04008111004020-F	adjustable inverted fork, LF	1
23	04005101020000	right fork guard, (protector)	1
24	04004101020000	left fork guard, (protector)	1
25	06100010013300	bracket, brake hose	1 Set
26	GB/T818M5*16	bolt, philips M5*16	2
27	GB/T889M5	nut, locking M5	2
28	06100022011100	clips, hose	5
29	GB/T70.2M5*12	bolt M5*12	4
30	03030040330102-2	caliper, hydraulic, front	1
31	03030040330102-3	bracket, front brake	1
32	03034010070102	brake pads	1 Set
32		brake pads, asbestos free	1 Set
33	GB/T5787M8*25	bolt, flanged M8*25	2
34	12201701701000	flat washer $\Phi 38*\Phi 24*2$	2



SWING ARM ASSY.

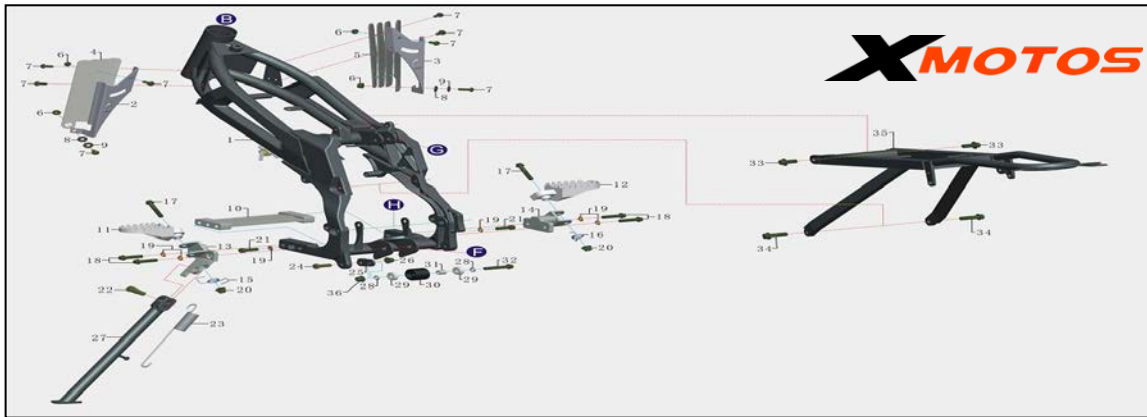
Ref. No.	PART No.	DESCRIPTION	Qty.
1	06100001034100	guide, chain	1
2	GB/T70.2M6*12	bolt M6*12	2
3	12202600111100	washer, oval	2
4	GB/T5787 M12*215	bolt, flanged M12*215	1
5	09012009110000	spacer $\Phi 12.2 * \Phi 18 * 19$	2
6	12070070008000	bearing HK1816	2
7	07003051101000	swing arm	1
8	09011020210000	spacer $\Phi 12 * \Phi 18 * 146$	1
9	GB/T6187M12	nut, flanged, locking M12	1
10	GB/T818 M5*12	bolt, phillips head M5*12	2
11	06100030011100	bracket, brake hose	2
12	GB/T70.2M6*45	bolt M6*45	2
13	GB/T889M6	nut, locking M6	2
14	06100006014100-L	chain guide insert, rubber, LH	1
15	06100006014100-R	chain guide insert, rubber, RH	1
16	07029011102000	plate, chain guide	1
17	12020110040712	nut hex. M8	2
18	12200206071200	bolt, adjuster, wheel, rear M8*50	2
19	09017111030000	adjusters, wheel, rear, LH&RH	2
20	03031040230101-1	bracket, brake caliper	1
21	03031040230101-2	caliper, brake, rear	1
22	03034010080102	brake pads	1 Set
22		brake pads, asbestos free	1 Set
23	09010004210000	spacer $\Phi 12.5 * \Phi 20 * 10$	1



XMOTOS

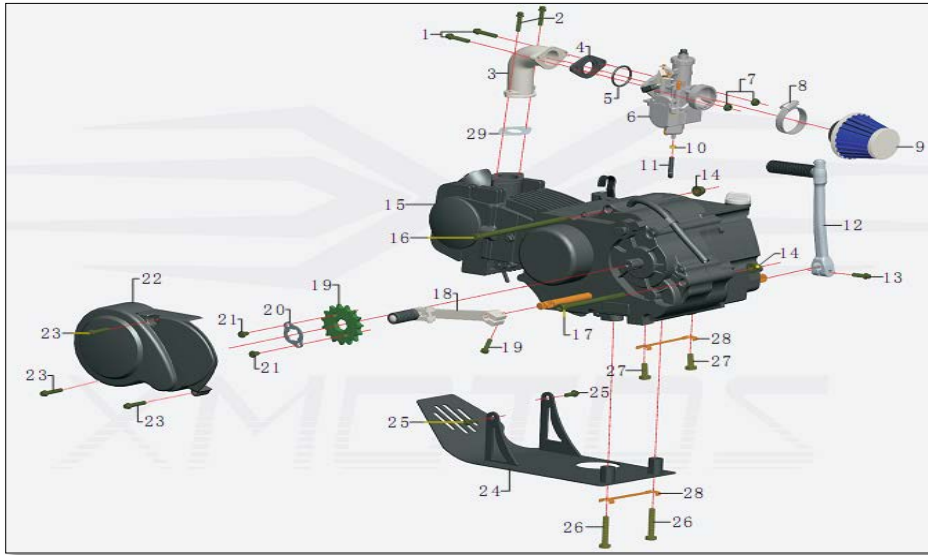
REAR SHOCK AND LINKAGE ASSY.

Ref. No.	PART No.	DESCRIPTION	Qty.
1	GB/T5787M10*40	bolt, flanged M10*40	1
2	GB/T889M10	nut, locking M10	2
		shock, non adjustable, rear, 370mm	1
3	04003209101030	shock, adjustable, rear, 370mm, (Z)	1
4	GB/T5787M10*45	bolt, flanged M10*45	1
5	GB/T5787M12*65	bolt, flanged M12*65	1
6	12070070004000	bearing HK1812	6
7	09011056210000	spacer $\Phi 24 * \Phi 20 * 12$	1
8	07031031210000	linkage, suspension	1
9	09012006110000	spacer $\Phi 12.2 * \Phi 18 * 40$	1
10	GB/T6187M12	nut, flanged, locking M12	3
11	12030312114712	bolt M12*90	1
12	09011057210000	spacer $\Phi 24 * \Phi 20 * 33$	1
13	09012001110000	spacer $\Phi 10.2 * \Phi 16 * 6$	1
14	12070070005000	bearing HK162216	1
15	09012002110000	spacer $\Phi 10.2 * \Phi 16 * 17$	1
16	09012007110000	spacer $\Phi 12.2 * \Phi 18 * 61$	1
17	GB/T5787M12*115	bolt, flanged M12*115	1
18	07028031102000	suspension, tie rod	1
19	09012008110000	spacer $\Phi 12.2 * \Phi 18 * 83$	1



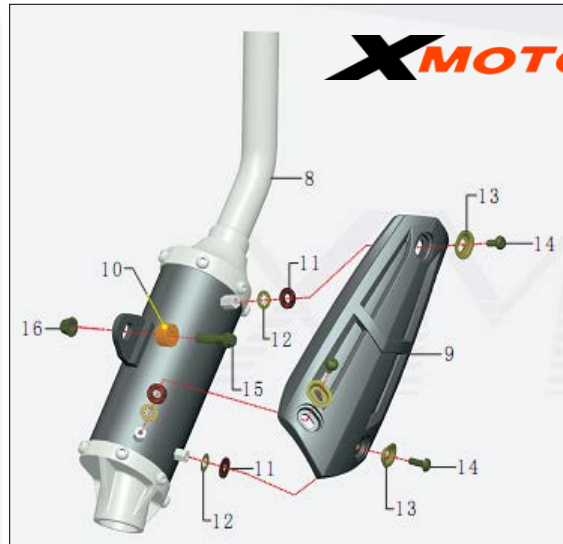
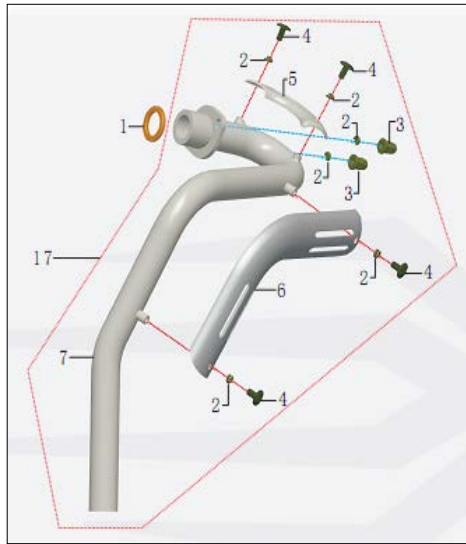
FRAME & SUB-FRAME ASSY.

Ref. No.	PART No.	DESCRIPTION	Qty.
1	07001051101010	frame	1
2	07011031101000	bracket, air deflector, LH	1
3	07012031101000	bracket, air deflector, RH	1
4	06019031020000	air deflector, LH	1
5	06020031020000	air deflector, RH	1
6	GB/T889M6	nut, locking M6	4
7	GB/T70.2M6*16	bolt, allen head M6*16	8
8	06100027014100	washer, rubber Φ 6	2
9	GB/T96 Φ 6	flat washer Φ 6	2
10	07035041101010	bracket, engine, bottom	1
11	07019031102000	foot rest, LH	1
12	07020031112000	foot rest, RH	1
13	07007041100100	bracket, foot rest, LH	1
14	07008041100100	bracket, foot rest, RH	1
15	09015202120000	spring, foot rest, RH&LH	2
16			
17	GB/T5787M8*45	bolt-flanged M8*45	2
18	GB/T5787M8*35	bolt-flanged M8*35	4
19	GB/T93 Φ 8	lock washer Φ 8	6
20	GB/T6187M8	nut, flanged, locking M8	2
21	GB/T70.1M8*25	bolt, allen head M8*25	2
22	12201015271201	bolt Φ 12*M10*26	1
23	09015107120000	spring, main, kick stand 120mm	1
24	GB/T5783M8*25	bolt M8*25	1
25	08051053010200	bracket, roller, chain	1
26	GB/T6187M8	nut, flanged, locking M8	1
27	07006151105000	kick stand	1
28	09011002210000	spacer Φ 12* Φ 8*3	2
29	12070010001000	bearing 608Z	2
30	06100008014100	roller, guide, chain (rubber)	1
31	09011014210000	spacer Φ 12* Φ 10*12	1
32	GB/T5787M8*35	bolt-flanged M8*35	1
33	GB/T5787M8*16	bolt-flanged M8*16	2
34	GB/T5787M8*25	bolt-flanged M8*25	2
35	07002051101000	sub-frame assy.	1
36	GB/T6187M8	nut, flanged, locking M8	1



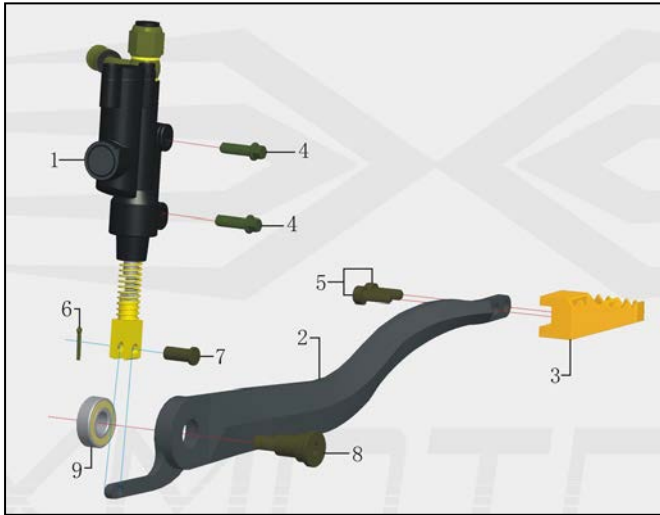
ENGINE,CARBURETOR AND AIR FILTER ASSY

Ref. No.	PART No.	DESCRIPTION	Qty.
1	GB/T5787M6*30	bolt-flanged M6*30	2
2	GB/T5787M6*25	bolt-flanged M6*25	2
3	02001040211000	manifold, air intake	1
4	20012301100100	spacer, (composite plastic)	1
5	20130401020400	O-ring, carburetor, (rubber)	1
		carburetor	1
6	02024020500000	carburetor, Mikuni PZ26	1
7	GB/T889M6	nut, locking M6	2
8	12300410100000	clamp, filter	1
9	02004042220000	filter, air	1
10	12300110100100	clamp, hose	1
11	06100029014100	hose, overflow	1
12	02025101040000	lever, kick start	1
13	GB/T5787M6*20	bolt-flanged M6*20	1
14	GB/T6187M8	nut, flanged, locking M8	2
15	010205072210201	engine	1
16	GB/T5787M8*150	bolt-flanged M8*150	1
17	GB/T70.1M8*110	bolt M8*110	1
18	02028101010100	lever, shift,steel	1
		lever, shift,alloy	1
19	20082202001001	sprocket, front 420-16T	1
20	20082304010100	locking washer, sprocket	1
21	GB/T5783M6*8	bolt hex.head M6*8	2
22	20031602010100	cover, sprocket	1
23	GB/T5787M6*35	bolt-flanged M6*35	3
24	07035041209000	skid plate, engine, (protector)	1
25	GB/T5787M6*16	bolt-flanged M6*16	2
26	GB/T5783M8*45	bolt M8*45	2
27	GB/T5783M8*20	bolt M8*20	2
28	09016000300100	bracket, engine, bottom	2
29	20012502140100	gasket, intake manifold	1



EXHAUST ASSY.

Ref. No.	PART No.	DESCRIPTION	Qty.
1	02017001000000	seal, exhaust (copper)	1
2	GB/T93Φ6	lock washer Φ6	6
3	12200700371200	bolt M6	2
4	GB/T819M6*12	bolt M6*12	4
5	02002050240000-1	shield, heat, pipe front (assy. set)	1
6	02002050240000-2	shield, heat, pipe rear (assy. set)	1
7	02002050240000-3	pipe, exhaust (assy. set)	1
8	02003030310000	muffler	1
9	06025011010000	shield, heat, muffler	1
10	09011087210000	spacer Φ8*Φ20*12	1
11	12202500111100	washer, thermal Φ6	3
12	08034060010000	locking washer	3
13	08034059010000	washer, oval	3
14	GB/T70.2M6*16	bolt M6*16	3
15	GB/T5787M8*35	bolt, flanged M8*35	1
16	GB/T6187M8	nut, flanged, locking M8	1
17	02002050240000	pipe, exhaust assy.	1



XMOTOS

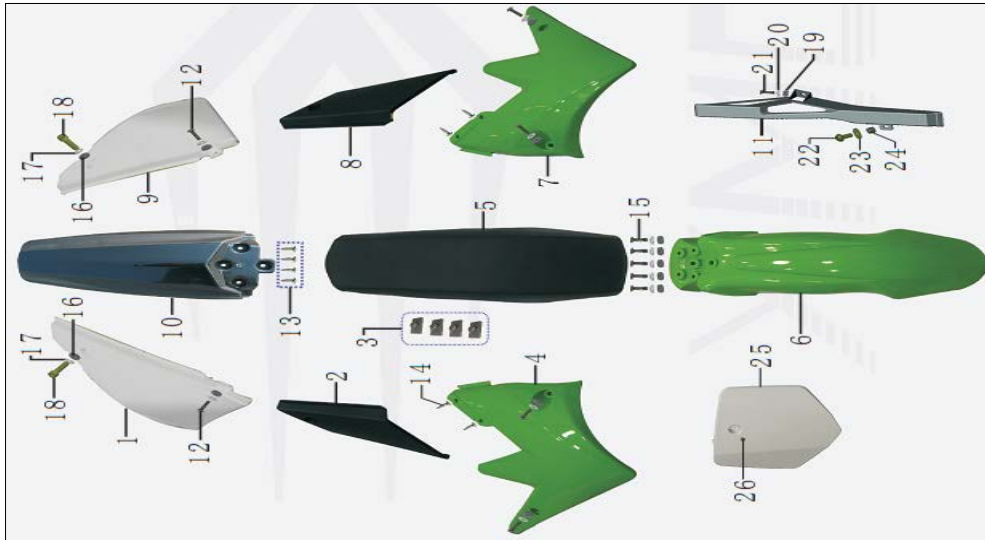
REAR BRAKE ASSY.

Ref. No.	PART No.	DESCRIPTION	Qty.
1	03031040230101-3	master cylinder, rear	1
2	07005040101000	lever, brake, rear	1
3	07032031200000	brake lever tip (alloy)	1
4	GB/T5787M6*20	bolt, flanged M6*20	2
5	GB/T70.1M6*16	bolt M6*16	2
6	12080210521200	cotter pin $\Phi 2$	1
7	12080110011200	pin, lever, brake	1
8	12202005974200	bolt $\Phi 16*6*\Phi 12*14*M8*25$	1
9	12070010002000	bearing	1



BRAKE HOSE ASSY.

Ref. No.	PART No.	DESCRIPTION	Qty.
1		Brake Assy., Front	1
2		Brake Assy., Rear	1
3	03030040330102-4	hose, hydraulic, front brake	1
4	03031040230101-4	hose, hydraulic, rear brake	1



FENDER AND SEAT ASSY.

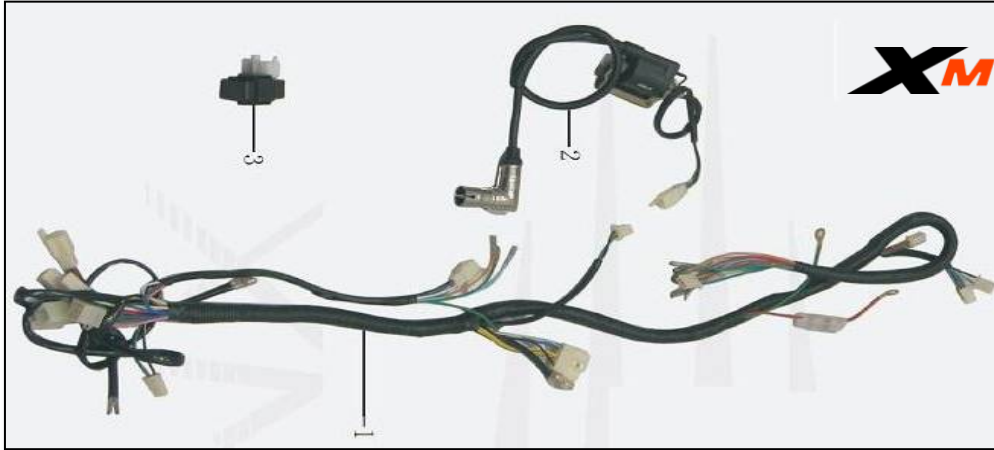
Ref. No.	PART No.	DESCRIPTION	Qty.
1	06016011020000	fairing, rear, RH	1
2	06030061010000	fairing, frame, RH	1
3	06100019024100	cushions, seat (rubber)	4
4	06014061060000	fairing, fuel tank, RH	1
5	06001062010000	seat	1
6	06012061060000	fender, front	1
7	06013061060000	fairing, fuel tank, LH	1
8	06031061010000	fairing, frame, LH	1
9	06015061020000	fairing, rear, LH	1
10	06018141010000	fender, rear	1
11	06024011010000	cover, chain	1
12	GB/T70.2M6*12	bolt, allen head M6*12	6
13	GB/T845ST4.8*12	screw, phillips, pan head ST4.8*12	4
14	GB/T845ST4.8*12	screw, phillips, pan head ST4.8*12	4
15	GB/T70.2M6*12	bolt, allen head M6*12	5
16	06100027014100	washer, rubber Φ 8	2
17	GB/T96 Φ 8	flat washer Φ 8	2
18	GB/T70.1M8*25	bolt, allen head M8*25	2
19	06100027014100	washer, rubber Φ 13* Φ 6*2.5	12
20	GB/T96 Φ 6	flat washer Φ 6	12
21	GB/T70.2M6*16	bolt, allen head M6*16	1
22	GB/T70.2M6*25	bolt, allen head M6*25	1
23	GB/T96 Φ 6	flat washer Φ 6	1
24	09011004210000	spacer Φ 8* Φ 12*12	1
25	06011051020000	number plate, front	1
26	GB/T818M5*16	bolt, phillips head M5*16	1

XMOTOS



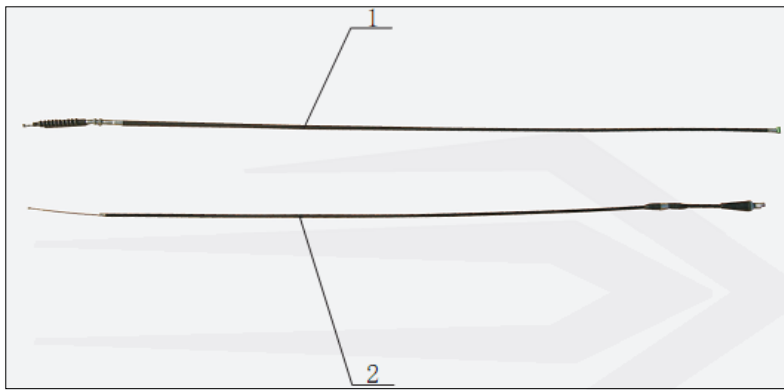
FUEL TANK ASSY.

Ref. No.	PART No.	DESCRIPTION	Qty.
1	06100032014100	hose, breather	1
2	06003011010000	cap, fuel tank	1
3	GB/T5787M8*30	bolt, flanged M8*30	1
4	GB/T96Φ8	flat washer Φ8	1
5	06100028014100	grommet, round	1
6	06002151100000	fuel tank	1
7	GB/T6187M6	nut, flanged, locking M6	1
8	06041011010100	filter, fuel	1
9	GB/T70.2M6*16	bolt M6*16	1
10	06040011010200	fuel pet-cock	1
11	06100029014100	hose, fuel	3
12	12300210200100	clamp, hose φ6	6
13	06100028014100	grommet, round	1
14	GB/T96Φ8	flat washer Φ8	1
15	GB/T5787M8*35	bolt, flanged M8*35	1
16	06100026022100	bracket, seat	1
17	GB/T819M6*12	bolt M6*12	1



ELECTRICAL

Ref. No.	PART No.	DESCRIPTION	Qty.
1	05008041000000	wiring harness	1
2	05001111200000	Ignition coil	1
3	05003101010000	CDI	1



CABLES

Ref. No.	PART No.	DESCRIPTION	Qty.
1	03021003021010	clutch cable	1
2	03020006051010	throttle cable	1

TOOL KIT

Ref. No.	PART No.	DESCRIPTION	Qty.
1	10030002000100	tool kit	1

GRAPHICS KIT

Ref. No.	PART No.	DESCRIPTION	Qty.
1	10010008280011	sticker kit	1