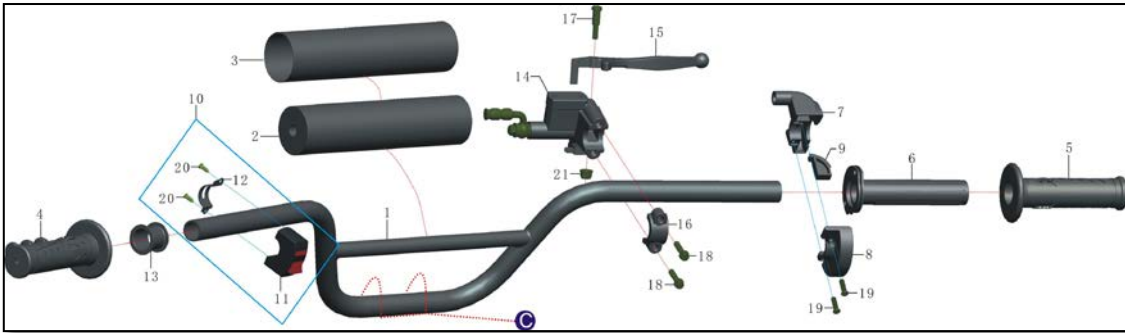
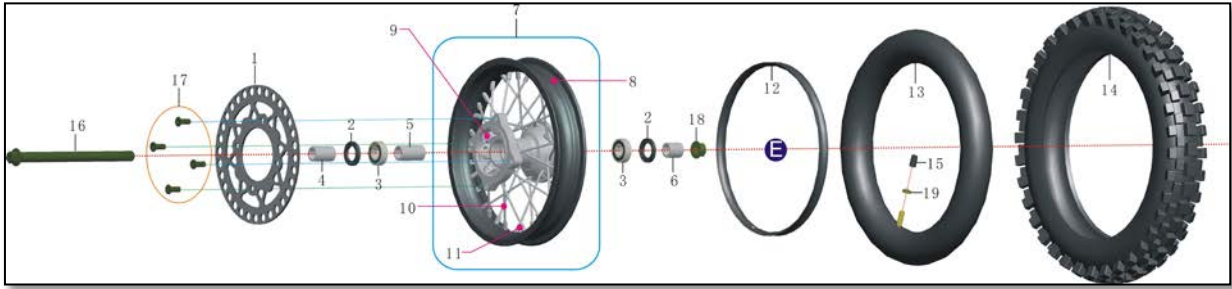


XT125 (XB-21D)



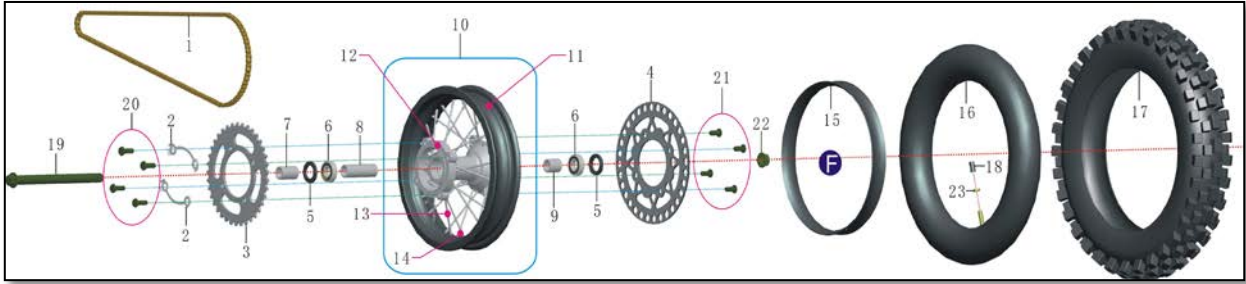
HANDLE BAR ASSY.

Ref. No.	PART No.	DESCRIPTION	Qty.
1	03001003102010	handle bar	1
2	10011000400000	foam padding, crossbar	1
3	10010014020301	cover, foam padding	1
4	03007101010100	grip, LH	1
5	03008101010100	grip, RH	1
6	03009101000100	insert throttle handle	1
7	03013010110000	housing, throttle, top	1
8	03014010110000	housing, throttle, bottom	1
9	03015010110000	guide, throttle cable	1
10	05025011000100	stop switch assy.	1
11	05025011000100-1	stop switch (N/A)	1
12	05025011000100-2	bracket, stop switch(N/A)	1
13	06100065014100	sleeve, stop switch	1
14	03030040810102-1	master cylinder, front (N/A)	1
15	03030040810102-2	lever, brake, front	1
16	03030040810102-3	bracket, master cylinder, (N/A)	1
17	03030040810102-4	bolt, brake lever (N/A)	1
18	GB/T5787M6*25	bolt, flanged M6*25	2
19	GB/T818 M5*16	bolt M5*16	2
20	GB/T845ST3.6*12	bolt, ST3.6*12	2
21	GB/T889M6	nut, locking M6	1



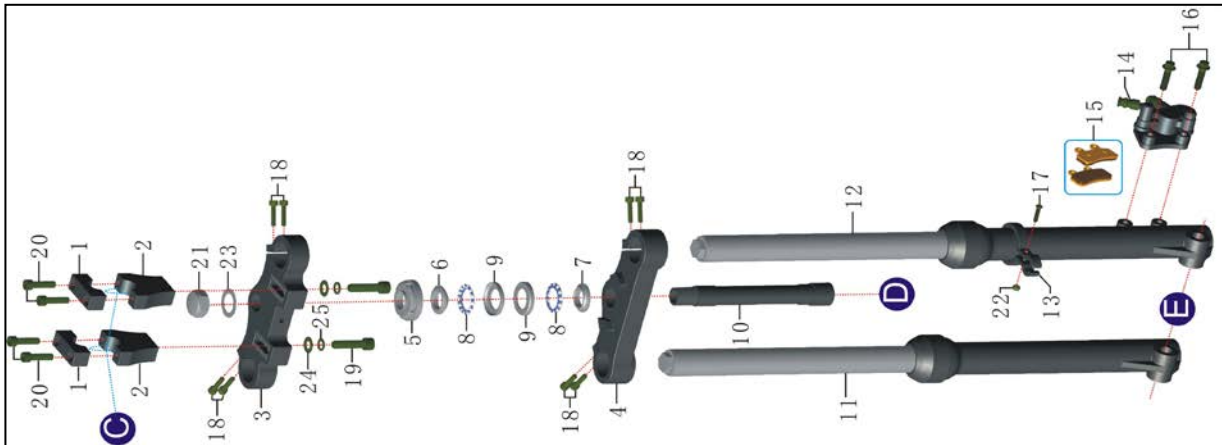
FRONT WHEEL ASSY.

Ref. No.	PART No.	DESCRIPTION	Qty.
1	03033030303000	disc, brake, rear Φ 200	1
2	12160102210000	seal, dust 35*22*6	2
3	12070010019000	front rim bearing 6202	2
4	09010113210000	spacer Φ 15.5* Φ 22*29	1
5	04006101030010-1	spacer Φ 15.5* Φ 22*43	1
6	09010108210000	spacer Φ 15.5* Φ 22*23	1
7	04006101030010	rim assy. Front, 1.4*10"	1
8	04010010110011	rim, front 1.4*10"	1
9	04010020220030	hub, front	1
10	04010040210140	spokes	32
11	04010050210010	nut, spokes	32
12	04017001030000	inner tube protector band	1
13	04016001030000	inner tube 60/100-10	1
14	04015100103000	tire, front, 10"	1
15	0401810100000	cap, air valve	1
16	GB/T5787M14*215	bolt, flanged M14*215	1
17	12202105374200	bolt M8*20	4
18	GB/T6187M14	nut, flanged, locking M14	1
19	GB/T6170 M8	nut M8	1



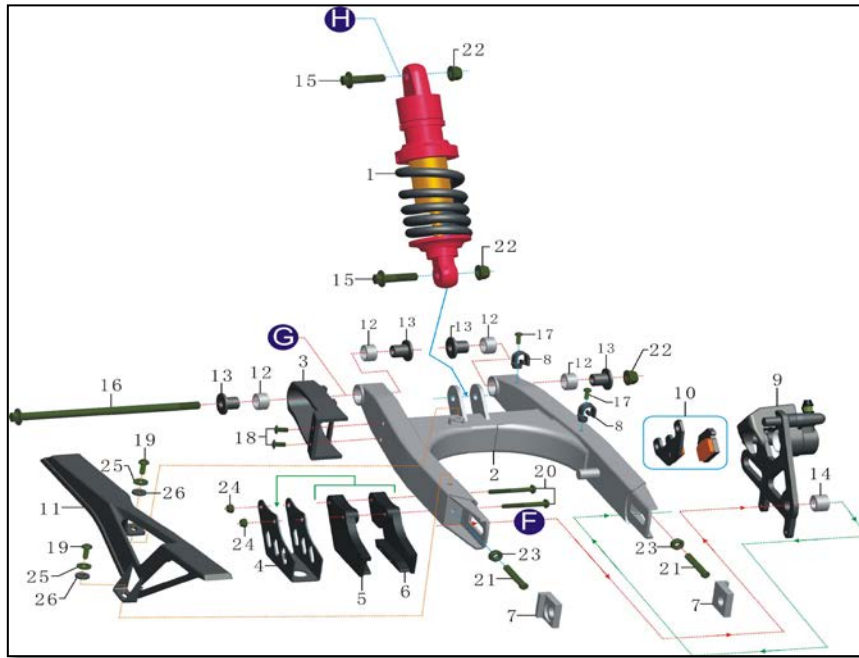
REAR WHEEL ASSY.

Ref. No.	PART No.	DESCRIPTION	Qty.
1		chain 420-98L	1
2	09016000200100	locking washer, sprocket	2
3	04021202030100	sprocket, rear 420-41T/ $\Phi 76 * \Phi 92$	1
4	03033030303000	disc, brake, rear $\Phi 200$	1
5	12160102210000	seal, dust 35*22*6	2
6	12070010019000	front rim bearing 6202	2
7	09010131230000	spacer $\Phi 15.5 * \Phi 22 * 39.5$	1
8	04007101030140-1	spacer $\Phi 15.5 * \Phi 22 * 73$	1
9	09010134220000	spacer $\Phi 15.2 * \Phi 22 * 28.5$	1
10	04007101030140	rim, rear assy. 1.85*10"	1
11	04010010110140	rim, front 1.85*10"	1
12	04010030220030	hub, front	1
13	04010040210150	spokes	32
14	04010050210010	nut, spokes	32
15	04017001030000	inner tube protector band	1
16	04016001030000	inner tube 60/100-10	1
17	04015100103000	tire, front, 10"	1
18	0401810100000	cap, air valve	1
19	GB/T5787M14*215	bolt, flanged M14*215	1
20	GB/T5783M8*25	bolt M8*25	4
21	12202105374200	bolt M8*20	4
22	GB/T6187M14	nut, flanged, locking M14	1
23	GB/T6170 M8	nut M8	1



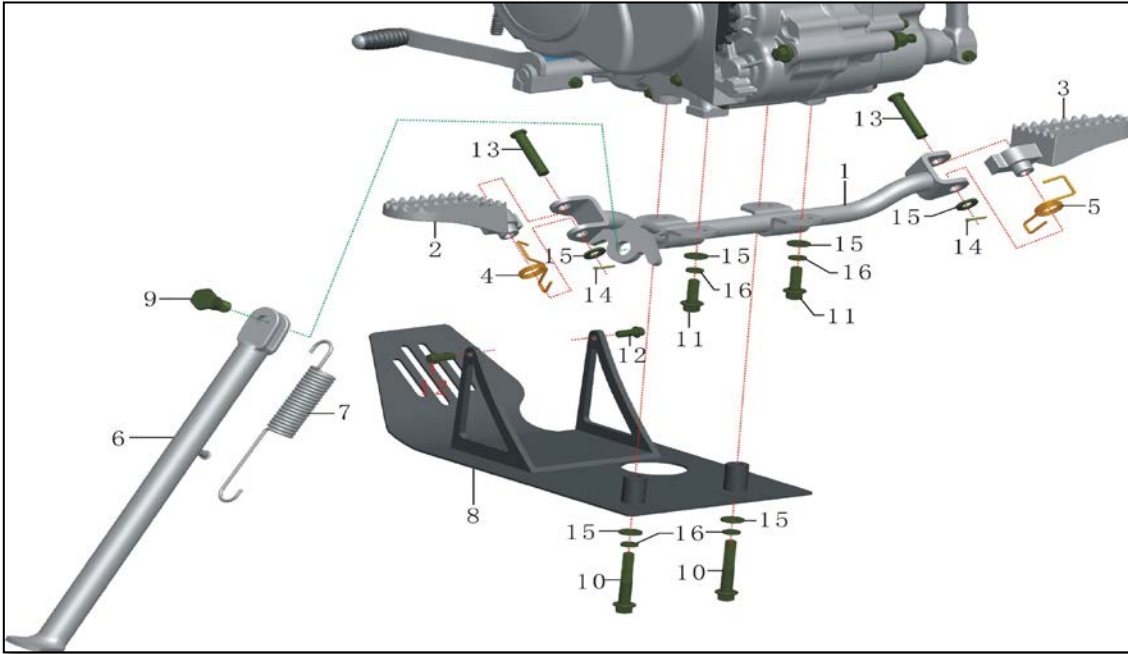
FRONT FORK ASSY.

Ref. No.	PART No.	DESCRIPTION	Qty.
1	03004012101072	riser, handle bar, top	2
2	03005012101072	riser, handle bar, bottom	2
3	03002210201072	triple clamp, top	1
4	03003210201072	triple clamp, bottom	1
5	12201901171301	locking nut M22	1
6	03016001100000	stopper, bearing $\Phi 22.5$	1
7		stopper, bearing $\Phi 24$	1
8		bearing, steering stem	2
9		race, bearing	2
10		03006010311000	steering stem
11	04008210401010	telescopic, standard, RH	1
12		telescopic, standard, LH	1
13	06100010021400	bracket, brake hose, bottom	1
14	03030040810102-5	caliper, front (N/A)	1
15	03034010070102	brake pads, front	1
16	GB/T5787M8*30	bolt, flanged M8*30	2
17	GB/T818M5*20	bolt M5*20	1
18	GB/T70.1M6*25	bolt M6*25	8
19	GB/T70.1M10*40	bolt M10*40*1.5	2
20	GB/T70.1M8*30	bolt M8*30	4
21	12200201171300	nut, M22	1
22	GB/T889M5	nut, locking M5	1
23	12201700101300	flat washer $\Phi 36 * \Phi 22.5 * 0.5$	1
24	GB/T97 Φ 10	flat washer $\Phi 10$	2
25	GB/T93 Φ 10	lock washer $\Phi 10$	2



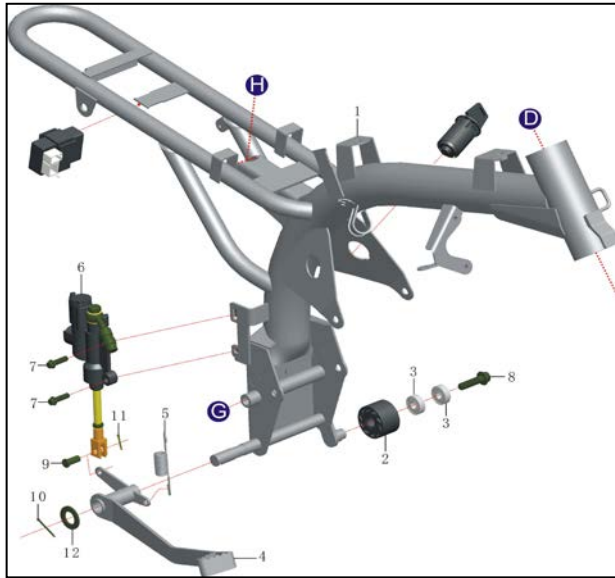
SWING ARM ASSY.

Ref. No.	PART No.	DESCRIPTION	Qty.
1	04003102101010	rear shock L=260mm	1
2	07003012102000	swing arm, rear	1
3	06100001014100	guide, chain	1
4	07029031102000	plate, chain guide	1
5	06100006014100-L	chain guide insert, rubber, LH	1
6	06100006014100-R	chain guide insert, rubber, RH	1
7	09017212010000	adjuster, wheel	2
8	06100030011100	bracket, brake hose	2
9	03031010710101-1	caliper, brake, rear (N/A)	1
10	03034010050102	brake pads, rear	1
11	06024011010000	guard, chain	1
12	12070070001000	bearing HK1612	4
13	09012003110000	spacer $\Phi 10.5 \times \Phi 16 \times 19$	4
14	09010132220000	spacer $\Phi 15.2 \times \Phi 22 \times 15$	1
15	GB/T5787M10*40	bolt, flanged M10*40	2
16	GB/T5787M10*210	bolt, flanged M10*210	1
17	GB/T818 M5*12	bolt M5*12	2
18	GB/T818M6*10	bolt, M6*10	2
19	GB/T70.2M6*16	bolt M6*16	2
20	GB/T70.2M6*45	bolt M6*45	2
21	12200206071200	rear jack bolts M8*50	2
22	GB/T6187M10	nut, flanged, locking M10	3
23	12020110040712	nut M8	2
24	GB/T889M6	nut, locking M6	2
25	GB/96 Φ 6	flat washer $\Phi 6$	2
26	06100027014100	rubber washer $\Phi 6$	2



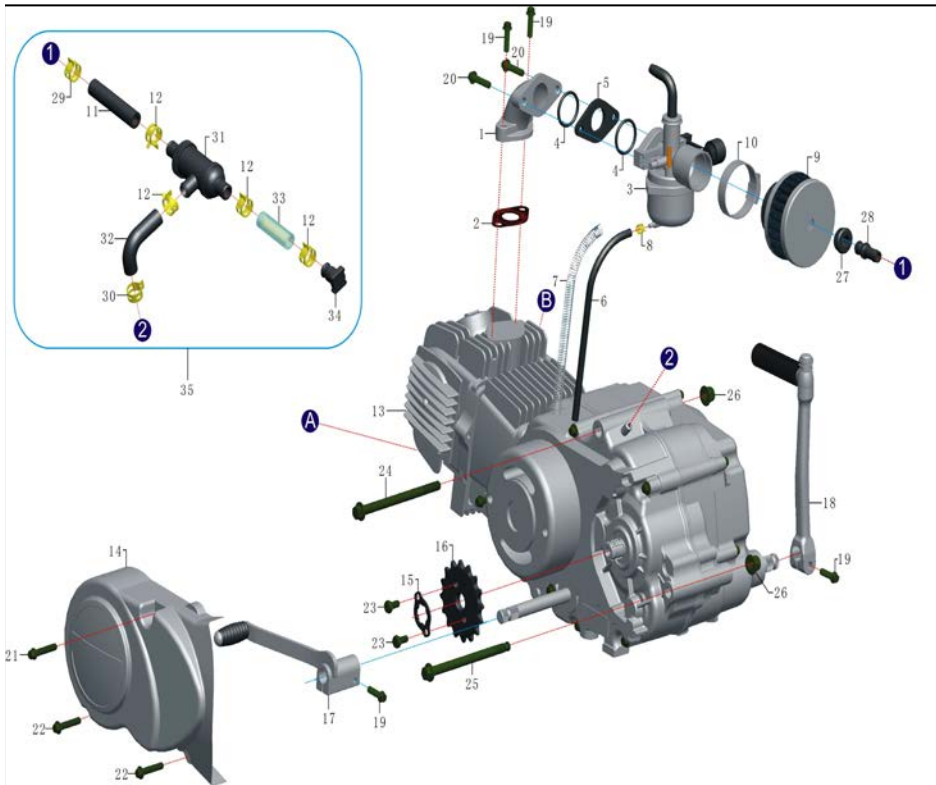
FOOT REST / SKID PLATE ASSY.

Ref. No.	PART No.	DESCRIPTION	Qty.
1	07018012102000	bracket, foot rest, engine	1
2	07019031102000	foot rest, LH	1
3	07020031112000	foot rest, RH	1
4	09015202120000	spring, foot rest, LH	1
5		spring, foot rest, RH	1
6	07006012102000	kick stand	1
7	09015109120000	spring, kick stand	1
8	07035011101000	engine skid plate (protector)	1
9	12201015271200	bolt M10*25	1
10	GB/T5787M8*45	bolt, flanged M8*45	2
11	GB/T5787M8*20	bolt, flanged M8*20	2
12	GB/T5787M6*16	bolt, flanged M6*16	2
13	12080110011200	pin, rod $\Phi 8 \times 40$	2
14	12080210521200	cotter pin	2
15	GB/97 $\Phi 8$	flat washer $\Phi 8$	6
16	GB/T93 $\Phi 8$	lock washer $\Phi 8$	4



FRAME ASSY.

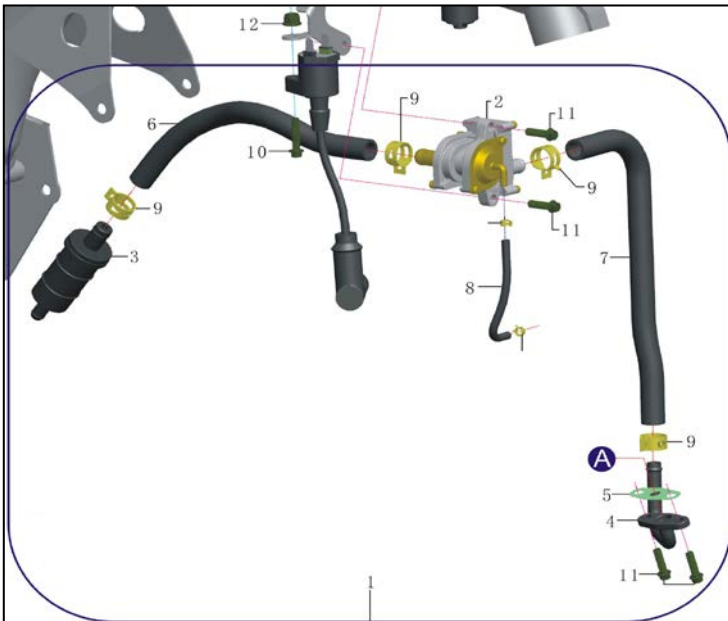
Ref. No.	PART No.	DESCRIPTION	Qty.
1	07001012102010	frame	1
2	06100008014101	roller, guide, chain	1
3	12070010001000	bearing 608Z	2
4	07005010106020	lever, brake, rear	1
5	09015101120000	spring, bracket, brake, rear	1
6	03031010710101-2	master cylinder, rear (N/A)	1
7	GB/T5787M6*20	bolt, flanged M6*20	2
8	GB/T5787M8*30	bolt, flanged M8*30	1
9	03031010710101-3	pin, lever, brake	1
10	12080210531200	cotter pin $\Phi 3$	1
11	12080210581300	cotter pin $\Phi 2$	1
12	GB/T96 $\Phi 15$	flat washer $\Phi 15$	1



ENGINE,CARBURETOR AND AIR FILTER ASSY

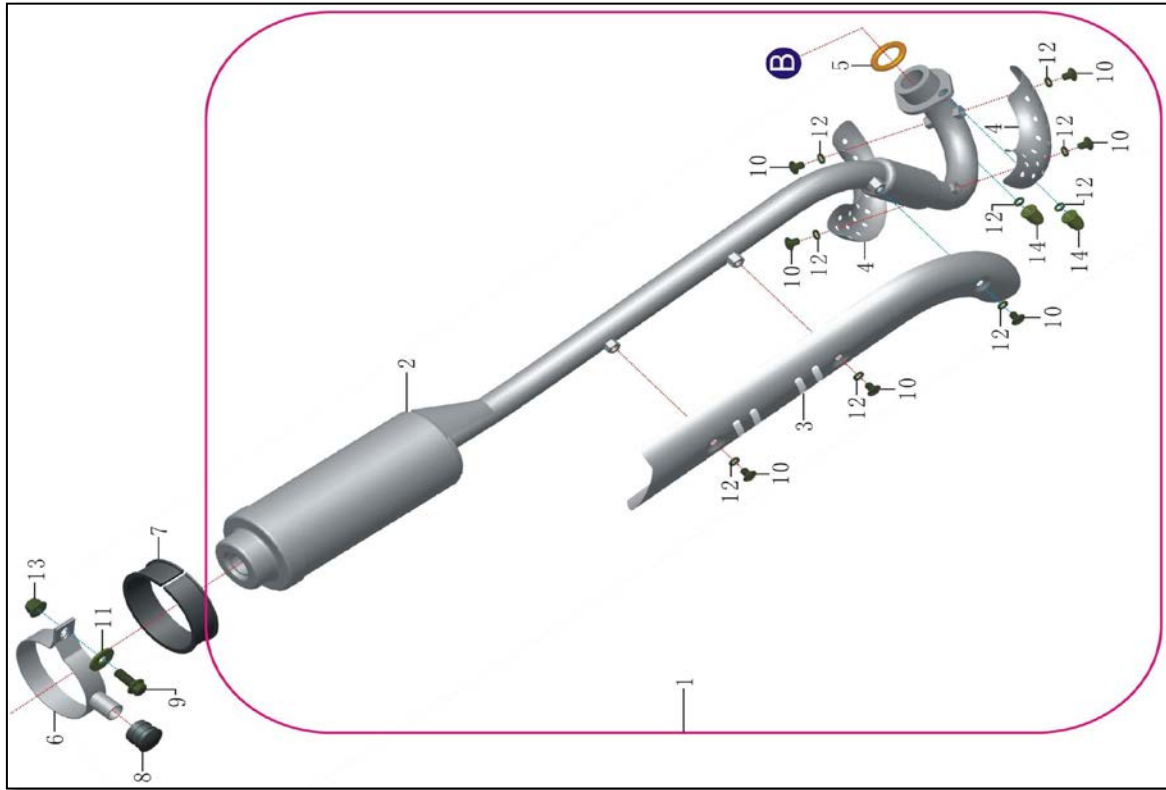
Ref. No.	PART No.	DESCRIPTION	Qty.
1	02001022311000	manifold, air intake	1
2	010101072110102-1	gasket, air intake 1	1
3	02024010200101	carburetor PZ19, KF (EPA)	1
3		carburetor PZ19, KF (Standard)	1
4	20130401030301	O-ring, carburetor, (rubber)	2
5	010101072110102-2	spacer, (composite plastic)	1
6	06100029024100	hose, overflow (EPA)	1
6	06100029024100	hose, overflow (standard)	1
7	09015111110000	spring, hose	1
8	12300210100100	clamp, hose Φ6	1
9	02004012220000	air filter	1
10	12300320200000	clamp, duct	1
11	010101072110102-3	hose, (Unavailable)	1
12	010101072110102-4	clamp, hose Φ15 (Unavailable)	2
13	010101072110102	ZS 70cc kick start, semi auto	1
14	20031601110200	cover, chain	1
15	20082301090100	locking plate, sprocket	1
16	20082201001500	sprocket, engine 420-14T	1
17	02028101020200	lever, gear shift	1
18	02025101030000	lever, kick start	1
19	GB/T5787M6*20	bolt, flanged M6*20	4
20	GB/T5787M6*25	bolt, flanged M6*25	2
21	GB/T5787M6*35	bolt, flanged M6*35	1

22	GB/T5787M6*30	bolt, flanged M6*30	2
23	GB/T5783M6*8	bolt M6*8	2
24	GB/T5787M8*110	bolt, flanged M8*110	1
25	12010120734712	bolt, flanged M8*105 (GB/T5787)	1
26	GB/T6187M8	nut, flanged, locking M8	2
27	06100021014100	grommet	1
28	02015031110000	air intake pipes	1
29	010101072110102-5	clamp, hose Φ13 (Unavailable)	4
30	010101072110102-6	clamp, hose Φ11 (Unavailable)	1
31	010101072110102-7	air/oil seperator (Unavailable)	1
32	010101072110102-8	hose, (Unavailable)	1
33	010101072110102-9	hose, (Unavailable)	1
34	010101072110102-10	cap, air/oil seperator (Unavailable)	1
35	010101072110102-11	air/oil seperator Assy. (USA)	1



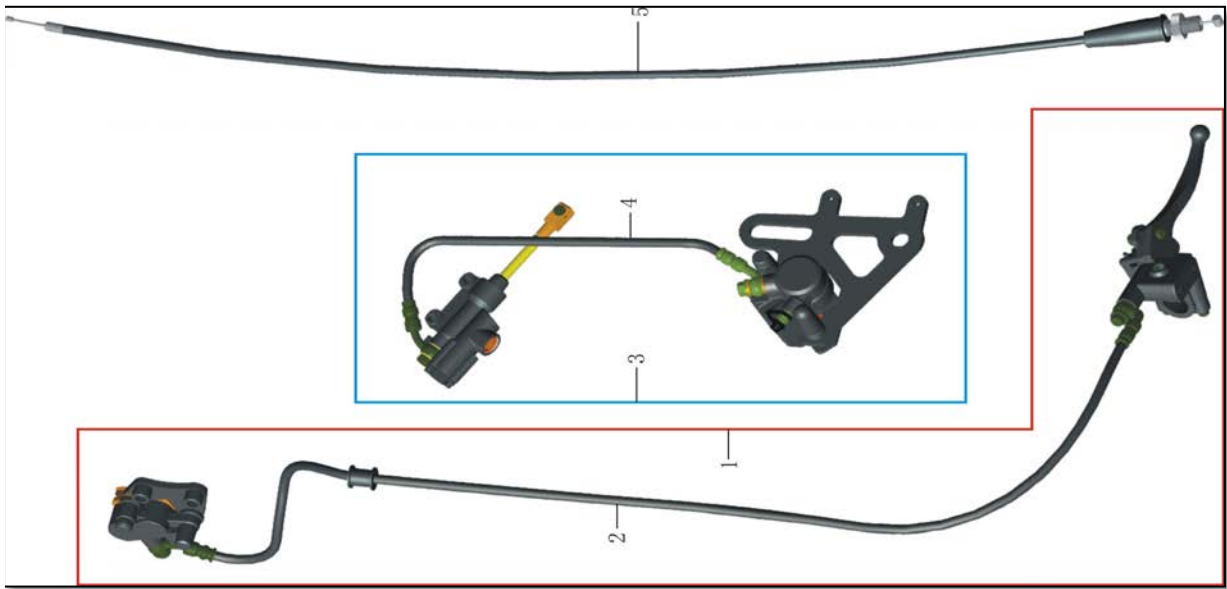
EMISSION AIR CIRCULATION VALVE ASSY.

Ref. No.	PART No.	DESCRIPTION	Qty.
1	02022010110200	actuator valve assy.	1
2	02022010110200-1	2 Valve (Unavailable)	1
3	02022010110200-2	filter (Unavailable)	1
4	02022010110200-3	pipe for air fitter (Unavailable)	1
5	20063101100100	washer	1
6	02022010110200-4	hose, intake 1 (Unavailable)	1
7	02022010110200-5	hose, intake 2 (Unavailable)	1
8	02022010110200-6	hose, intake 3 (Unavailable)	1
9	12300210500100	clamp, hose Φ11	4
10	GB/T5787M6*25	bolt, flanged M6*25	1
11	GB/T5787M6*20	bolt, flanged M6*20	4
12	GB/T6187M6	nut, flanged, locking M6	1



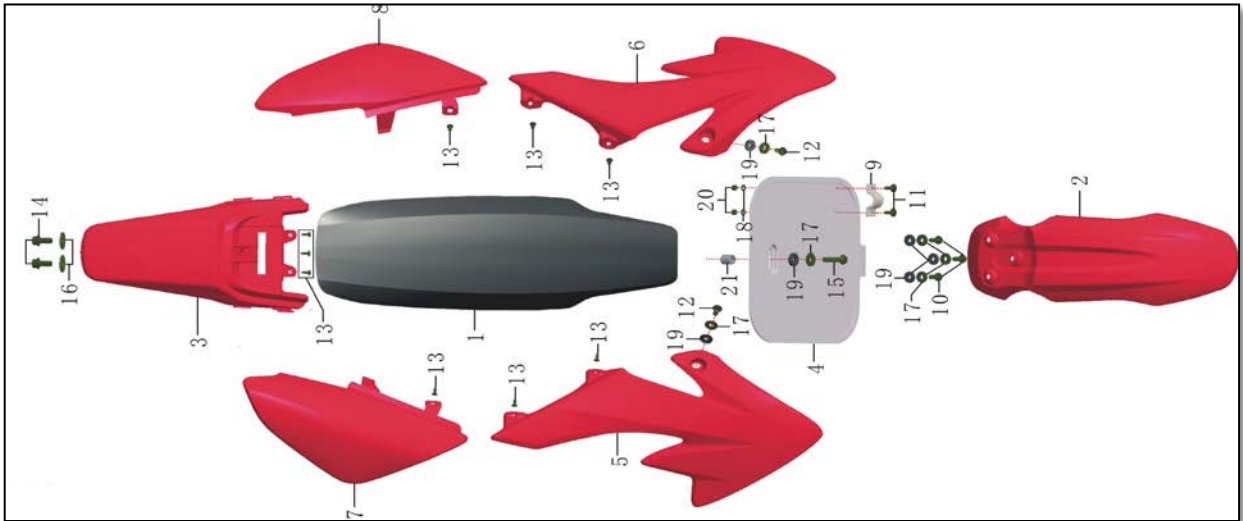
EXHAUST ASSY.

Ref. No.	PART No.	DESCRIPTION	Qty.
1	02002011120000	exhaust assembly (standard)	1
1	02002011120000A	exhaust assembly (EPA)	1
2	02002011120000-1	exhaust	1
3	02002011120000-2	shield, exhaust 1	1
4	02002011120000-3	shield, exhaust 2	2
5	02017001000000	seal, exhaust	1
6	02018001000000	clamp, duct, exhaust	1
7	06100002014100	cushion, bracket	1
8	06100024024100	cap, frame, front	1
9	GB/T5787M8*20	bolt, flanged M8*20	1
10	GB/T818M6*10	bolt, M6*10	7
11	GB/T96Φ8	flat washer Φ8	1
12	GB/T93Φ6	lock washer Φ6	9
13	GB/T6187M8	nut, flanged, locking M8	1
14	12200700371200	bolt, M6*21	2



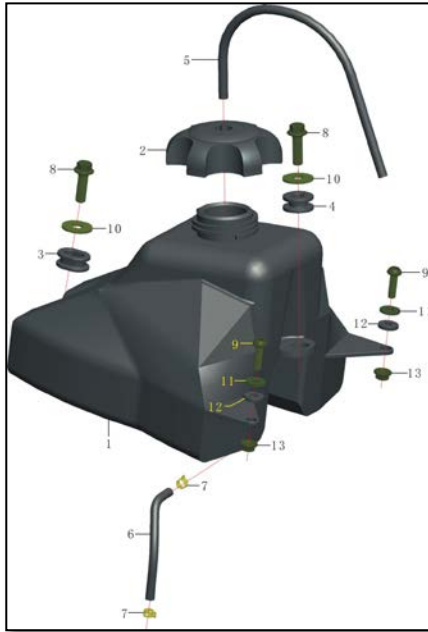
BRAKE HOSE ASSY. / THROTTLE CABLE

Ref. No.	PART No.	DESCRIPTION	Qty.
1	03030040810102	brake assy., front	1
2	03031010710101	brake assy., rear	1
5	03020002061010	cable, throttle	1



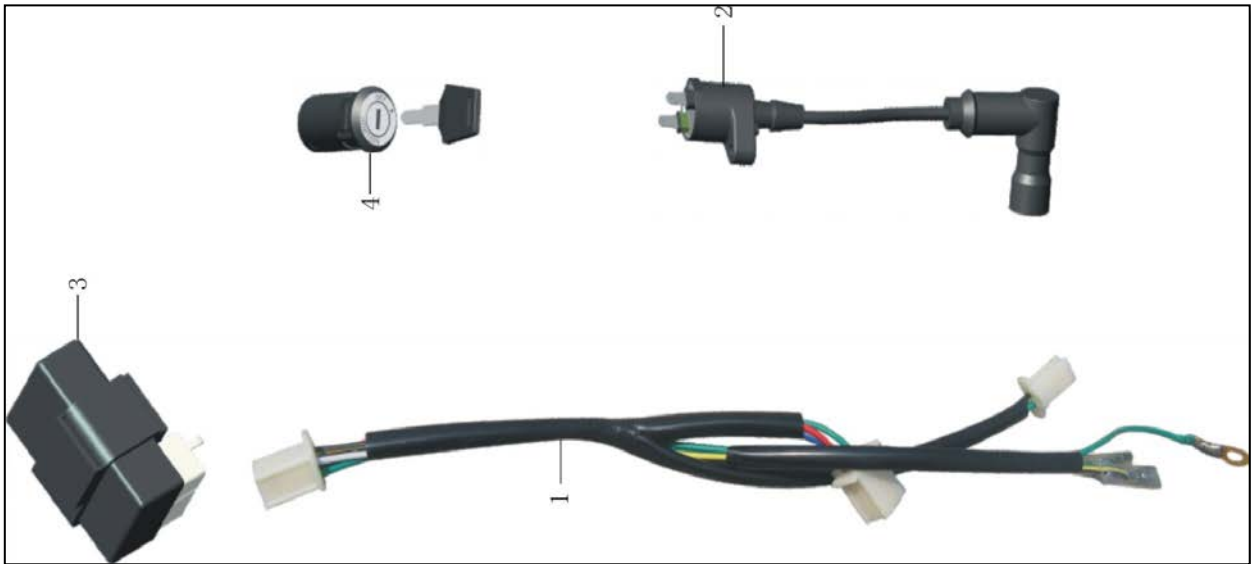
FENDER AND SEAT ASSY.

Ref. No.	PART No.	DESCRIPTION	Qty.
1	06001012010000	seat	1
2	06012011030000	fender, front	1
3	06018011030000	fender, rear	1
4	06011011020100	front number plate	1
5	06014011030000	fairing, fuel tank, RH	1
6	06013011030000	fairing, fuel tank, LH	1
7	06016011030000	fairing, rear, RH	1
8	06015011030000	fairing, rear, LH	1
9	06100025042100	bracket	1
10	GB/T70.2M6*16	bolt M6*16	3
11	GB/T818M4*12	bolt M4*12	2
12	GB/T70.2M5*12	bolt M5*12	2
13	GB/T845ST4.8*16	bolt, ST4.8*16	9
14	GB/T5787M8*16	bolt, flanged M8*16	2
15	GB/T70.2M6*25	bolt M6*25	1
16	GB/96Φ8	flat washer Φ8	2
17	GB/96Φ6	flat washer Φ6	6
18	GB/97Φ4	flat washer Φ4	2
19	06100027014100	rubber washer Φ6	6
20	GB/T889M4	nut, locking M4	2
21	09011004210000	spacer Φ8*Φ12*12	1



FUEL TANK ASSY.

Ref. No.	PART No.	DESCRIPTION	Qty.
1	06002011100300	fuel tank (EPA)	1
1		fuel tank (standard)	1
2	06003011010300	fuel cap (EPA)	1
2		fuel cap (standard)	1
3	06100028024100	grommet, oval	1
4	06100028014100	grommet, oval	1
5	06003011010200-1	breather hose (standard)	1
6	06100029024100	hose, carburetor (EPA)	1
7	12300210100100	clamp, hose $\Phi 6$	2
8	GB/T5787M8*25	bolt, flanged M8*25	2
9	GB/T70.2M6*20	bolt M6*20	2
10	GB/96 $\Phi 8$	flat washer $\Phi 8$	2
11	GB/96 $\Phi 6$	flat washer $\Phi 6$	2
12	06100027014100	rubber washer $\Phi 6$	2
13	GB/T6177M6	nut M6	2



ELECTRICAL

Ref. No.	PART No.	DESCRIPTION	Qty.
1	05008011000300	wiring harness	1
2	05001211100000	Ignition coil	1
3	05003102020000	CDI	1
4	05006110110600	key switch	1

TOOL KIT

Ref. No.	PART No.	DESCRIPTION	Qty.
1	10030002000100	tool kit	1



GRAPHICS KIT

Ref. No.	PART No.	DESCRIPTION	Qty.
1	10010008280011	sticker kit (512 Japan)	1
1		sticker kit (3M)	1

|