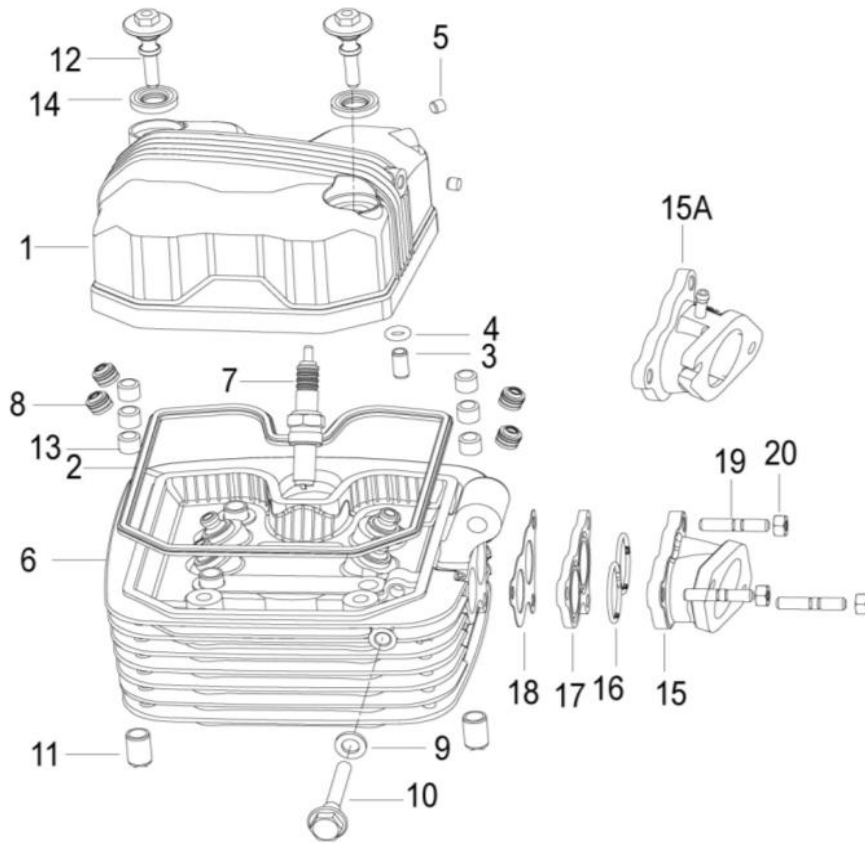
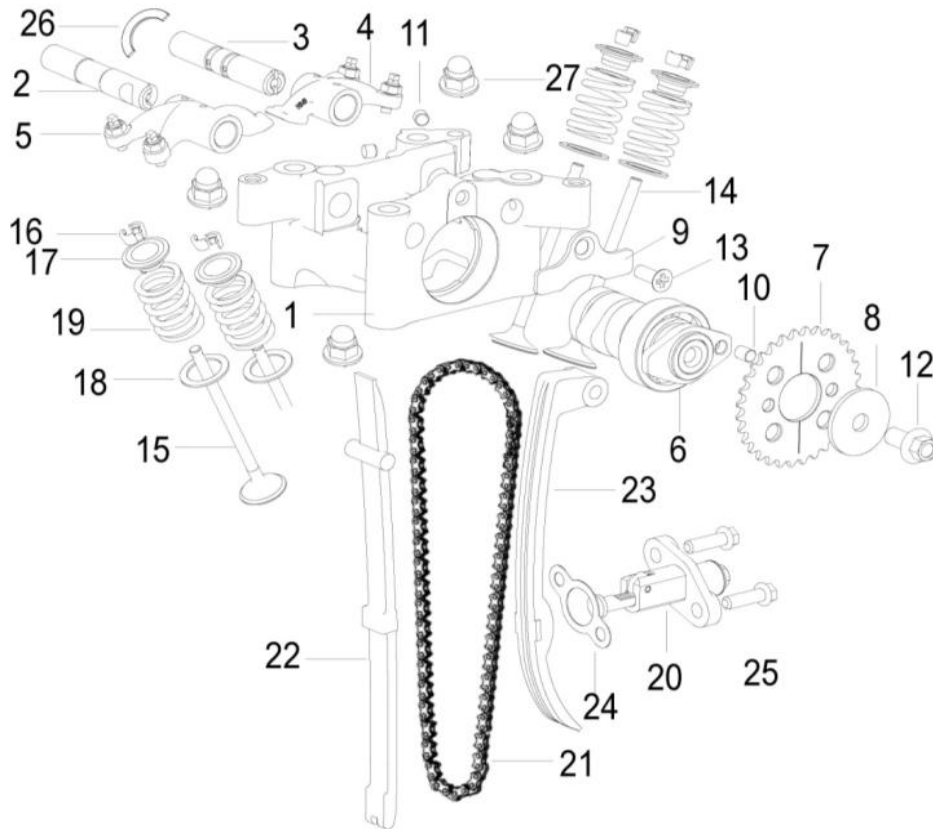


E01 COVER CYLINDER HEAD ASSY



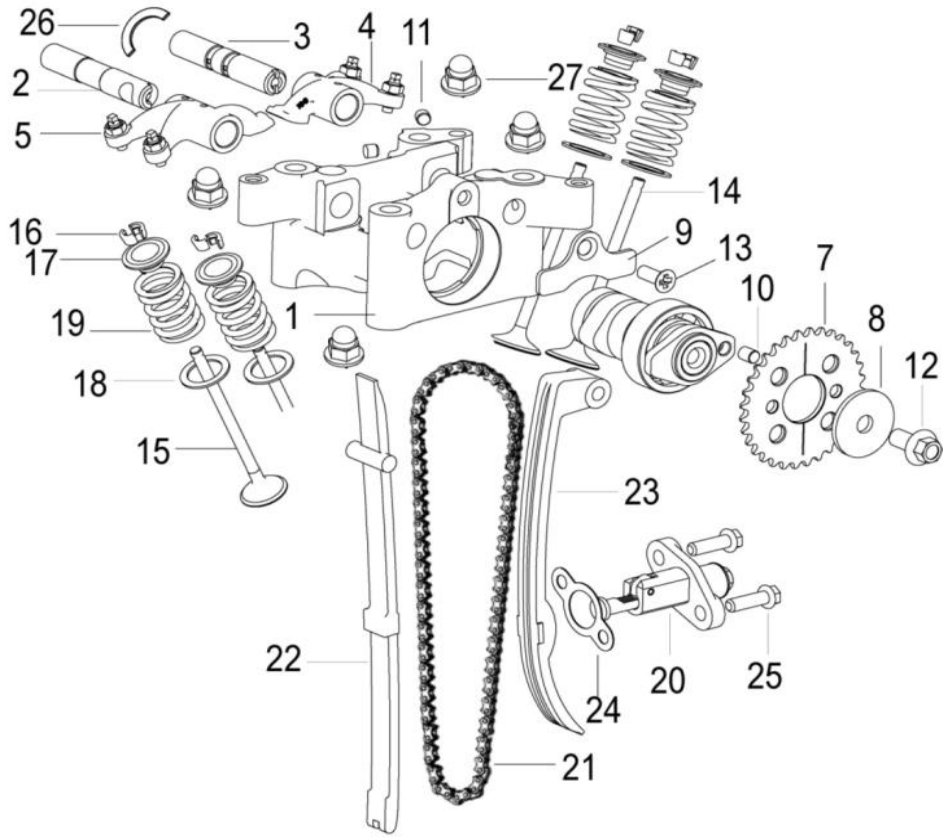
Model	Ref NO.	CODE	DESCRIPTION	Qty
RKV 200S-AERO 200	1	109013390010	COVER,CYLINDER HEAD	1
RKV 200S-AERO 200	2	100013390000	GASKET,CYLINDER HEAD	1
RKV 200S-AERO 200	3	100053390000	PIN	1
RKV 200S-AERO 200	4	260055040000	O RING 6x3	1
RKV 200S-AERO 200	5	100205040000	PLUG	2
RKV 200S-AERO 200	6	109055140010	CYLINDER HEAD ASSY	1
RKV 200S-AERO 200	7	299076030000	SPARK PLUG	1
RKV 200S-AERO 200	8	120013050000	OIL SEAL	4
RKV 200S-AERO 200	9	140033090000	SEAL	1
RKV 200S-AERO 200	10	100073390000	BOLT	1
RKV 200S-AERO 200	11	120103090000	PIN,DOWL	2
RKV 200S-AERO 200	12	100084230000	BOLT	2
RKV 200S-AERO 200	13	120063090000	BLOCK,DAMPING	6
RKV 200S-AERO 200	14	100035010000	WASHER,RUBBER	2
RKV 200S-AERO 200	15	109035140010	PIPE,INTAKE	1
RKV 200S	15A	119015140030	PIPE,INTAKE	1
RKV 200S-AERO 200	16	100015140000	O RING	1
RKV 200S-AERO 200	17	119075140000	CUSHION,HEAT INSULATION	1
RKV 200S-AERO 200	18	119065140000	WASHER,HEAT INSULATION	1
RKV 200S-AERO 200	19	12007305001X	DOUBLE STUD	3
RKV 200S-AERO 200	20	B04000600054	NUT 6	3

E02 INTAKE&EXHAUST MECHANISM



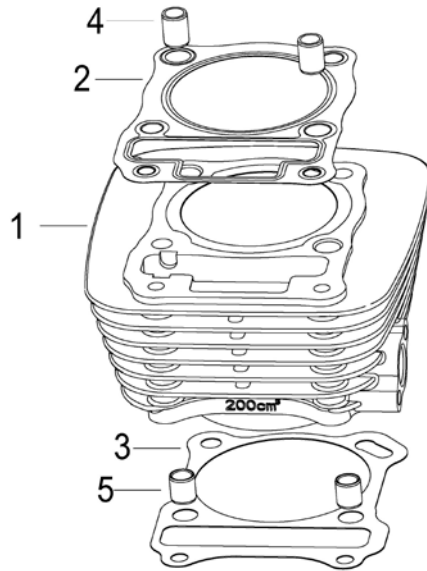
Model	Ref NO.	CODE	DESCRIPTION	Qty
RKV 200S-AERO 200	1	129125140010	SEAT,CAMSHAFT	1
RKV 200S-AERO 200	2	129173390000	SHAFT,EXHAUST	1
RKV 200S-AERO 200	3	129165140000	SHAFT,INTAKE	1
RKV 200S-AERO 200	4	120025140000	ROCKER ASSY,INTAKE	1
RKV 200S-AERO 200	5	120035140000	ROCKER ASSY,EXHAUST	1
RKV 200S-AERO 200	6	129095140000	CAMSHAFT ASSY	1
RKV 200S-AERO 200	7	120053390000	SPROCKET	1
RKV 200S-AERO 200	8	120013210000	WASHER	1
RKV 200S-AERO 200	9	120083390010	BOARD,LIMITE	1
RKV 200S-AERO 200	10	120103390000	PIN	1
RKV 200S-AERO 200	11	100205040000	PIN,DOWEL	2
RKV 200S-AERO 200	12	B01070801664	BOLT M8x16	1
RKV 200S-AERO 200	13	B02160601663	SCREW M6x16	1
RKV 200S-AERO 200	14	129185140000	VALVE,INTAKE	2
RKV 200S-AERO 200	15	129195140000	VALVE,EXHAUST	2
RKV 200S-AERO 200	16	129223230000	COTTER,VALVE	8
RKV 200S-AERO 200	17	120013160000	GASKET,UP SPRING	4
RKV 200S-AERO 200	18	129213390000	WASHER	4
RKV 200S-AERO 200	19	129255140000	SPRING,OUTER	4
RKV 200S-AERO 200	20	149035140010	TENSIONER ASSY	1
RKV 200S-AERO 200	21	129023090002	TIMING CHAIN	1

E02 INTAKE&EXHAUST MECHANISM



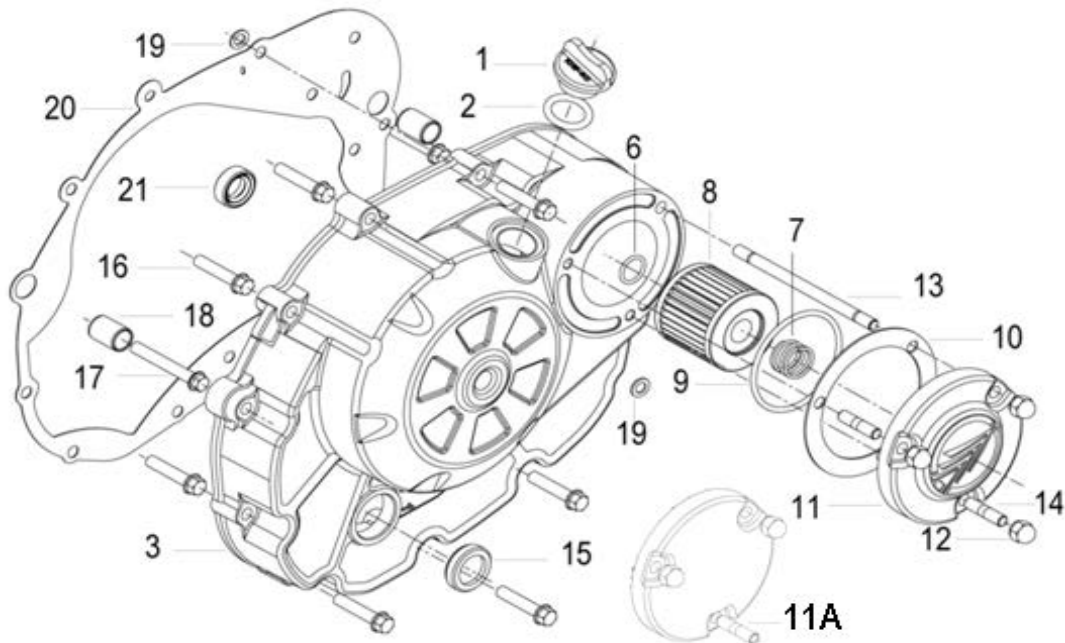
Model	Ref NO.	CODE	DESCRIPTION	Qty
RKV 200S-AERO 200	22	140063090002	CHAIN LEFT GUIDE PLATE	1
RKV 200S-AERO 200	23	140013090002	CHAIN RIGHT GUIDE PLATE	1
RKV 200S-AERO 200	24	130113090012	SEAL SPACER	1
RKV 200S-AERO 200	25	13001309001X	BOLT	1
RKV 200S-AERO 200	26	120043090000	WASHER	1
RKV 200S-AERO 200	27	B04000800052	NUT	4

E03 CYLINDER



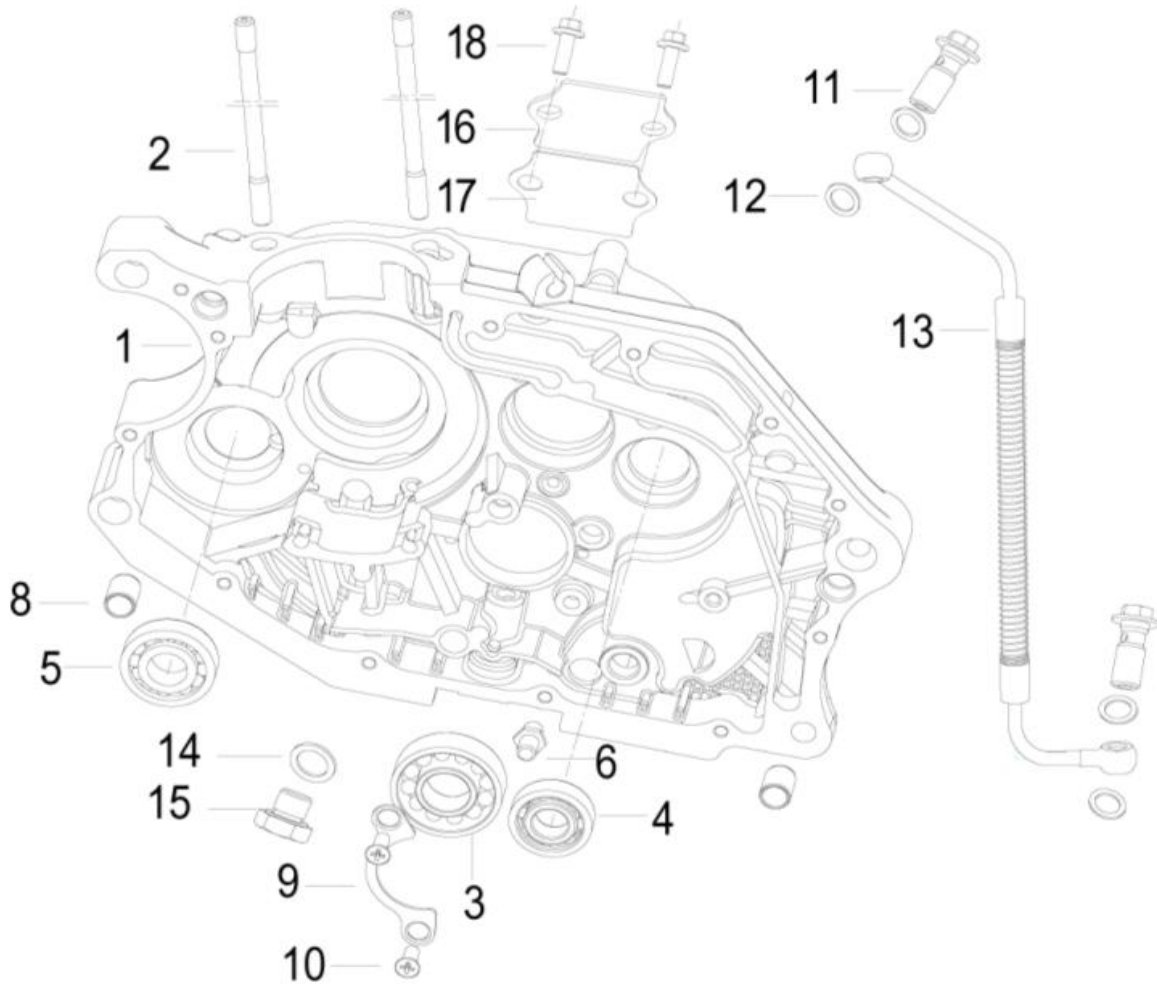
Model	Ref NO.	CODE	DESCRIPTION	Qty
RKV 200S-AERO 200	1	139015140010	CYLINDER ASSY	1
RKV 200S-AERO 200	2	109075140000	GASKET,CYLINDER HEAD COVER	1
RKV 200S-AERO 200	3	139025140000	GASKET,CYLINDER	1
RKV 200S-AERO 200	4	120103090000	PIN,DOWEL $\phi 11 \times 16$	2
RKV 200S-AERO 200	5	130023090000	PIN,DOWEL $\phi 11 \times 13$	2

E04 CLUTCH COVER ASSY



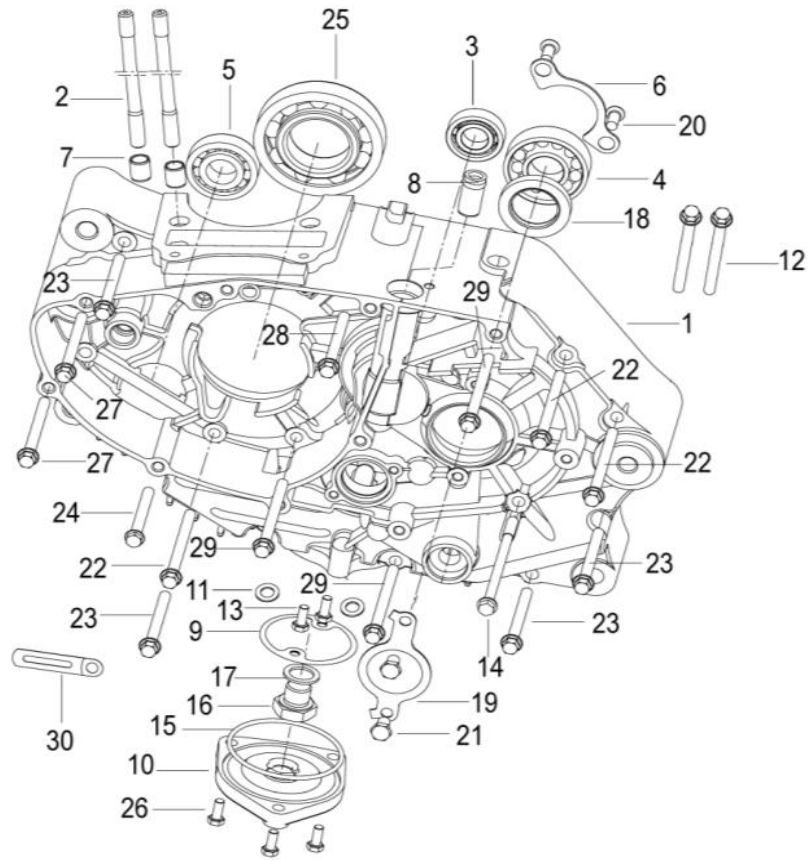
Model	Ref NO.	CODE	DESCRIPTION	Qty
RKV 200S-AERO 200	1	160063090000	OIL FILLER THREAD PLUG	1
RKV 200S-AERO 200	2	B190101700C0	O RING17x3.55	1
RKV 200S-AERO 200	3	169103090190	COVER,CLUTCH GRAY	1
RKV 200S-AERO 200	6	B190101250A0	O RING12.5x1.8	1
RKV 200S-AERO 200	7	160033090000	SPRING	1
RKV 200S-AERO 200	8	160043090000	PAPER FILTER ELEMENT MODULE	1
RKV 200S-AERO 200	9	B190105260B0	O RING52.6x2.4	1
RKV 200S-AERO 200	10	160373210010	MACHINE FILTERS COVERS THE FILLING PIECE	1
RKV 200S-AERO 200	11	160393090090	MACHINE FILTERS THE LID,GRAY,with keeway logo	1
RKV 200S	11A	160013090180	MACHINE FILTERS THE LID,GRAY,without mark	1
RKV 200S-AERO 200	12	B04220600034	COVERS THE NUT M6	3
RKV 200S-AERO 200	13	16005309001X	DOUBLE SCREW BOLT	1
RKV 200S-AERO 200	14	B03000601262	DOUBLE SCREW BOLT M6x12	2
RKV 200S-AERO 200	15	160443090000	OIL INDICATOR ASSY	1
RKV 200S-AERO 200	16	B01070603064	BOLT M6x30	9
RKV 200S-AERO 200	17	B01070604564	BOLT M6x45	1
RKV 200S-AERO 200	18	150043090000	PIN,DOWEL	2
RKV 200S-AERO 200	19	150013070000	WASHER 6	2
RKV 200S-AERO 200	20	169113210010	GASKET,COVER RIGHT	1
RKV 200S-AERO 200	21	160023090000	OIL SEAL	1

E05 RIGHT CRANKCASE ASSY CONT'



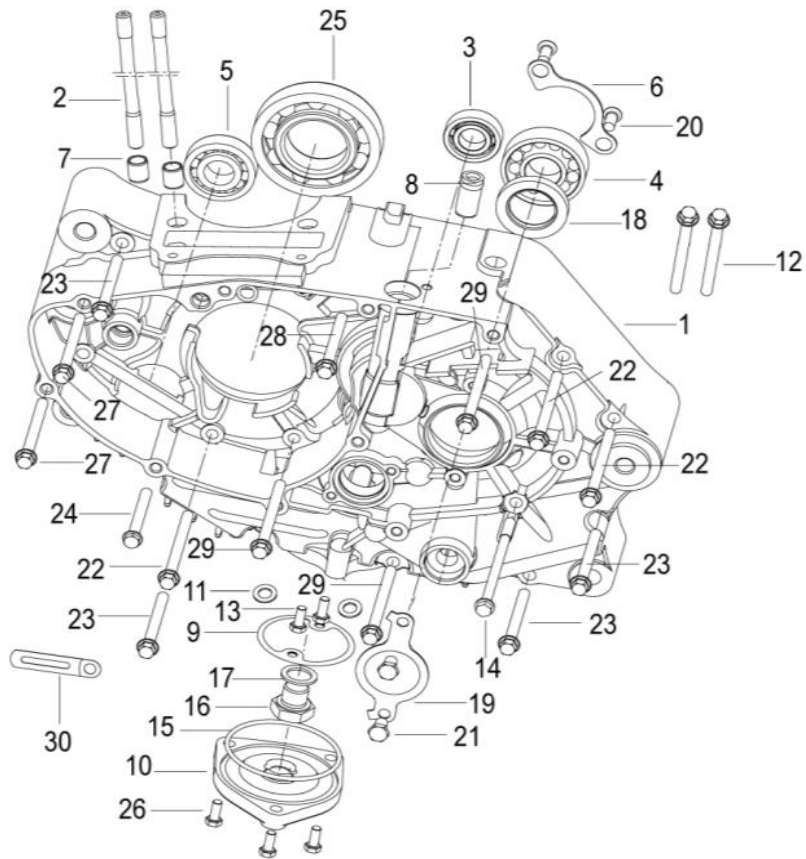
Model	Ref NO.	CODE	DESCRIPTION	Qty
RKV 200S-AERO 200	1	159035140020	CRANKCASE ASSY,RIGHT	1
RKV 200S-AERO 200	2	159115140000	DOUBLE STUD	2
RKV 200S-AERO 200	3	B12016020204	BEARING 6202/P6	1
RKV 200S-AERO 200	4	B12016020403	BEARING 6204/P6	1
RKV 200S-AERO 200	5	B12016020307	BEARING 6203/P63	1
RKV 200S-AERO 200	6	150123090000	SET BOLT	1
RKV 200S-AERO 200	8	120103090000	WASHER	2
RKV 200S-AERO 200	9	150113090000	WASHER	1
RKV 200S-AERO 200	10	B02010601263	SCREW M6x12	2
RKV 200S-AERO 200	11	15006404001X	BOLT	2
RKV 200S-AERO 200	12	270105100000	WASHER	4
RKV 200S-AERO 200	13	270075140001	PIPE ASSY	1
RKV 200S-AERO 200	14	15008309001X	THE SPIRAL STOPS UP	1
RKV 200S-AERO 200	15	150093090000	WASHER	1
RKV 200S-AERO 200	16	160025140000	COVER	1
RKV 200S-AERO 200	17	160035140000	GASKET	1
RKV 200S-AERO 200	18	B01070601063	BOLT M6x10	2

E06 LEFT CRANKCASE ASSY



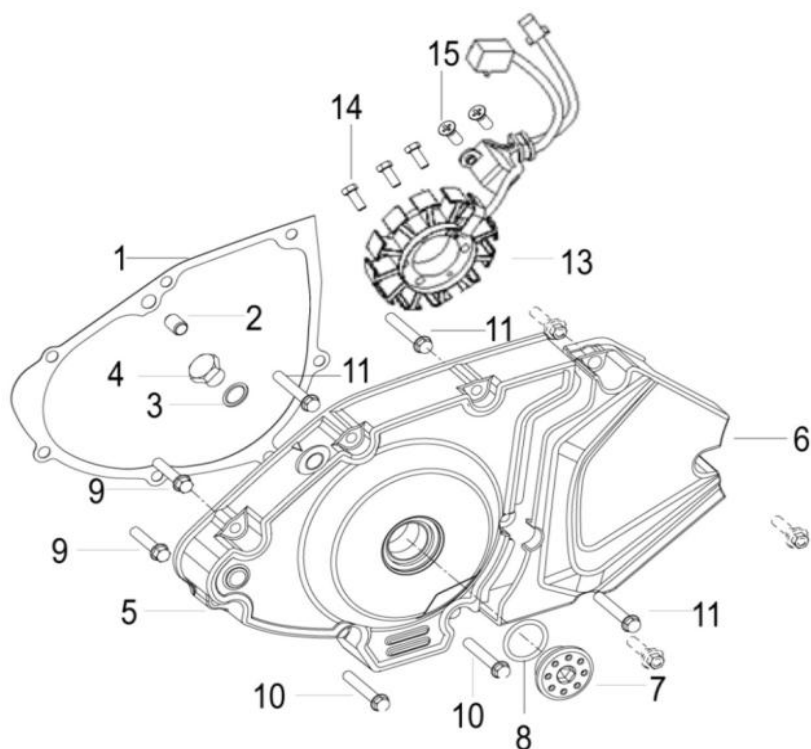
Model	Ref NO.	CODE	DESCRIPTION	Qty
RKV 200S-AERO 200	1	159025140010	LEFT CRANKCASE ASSY., GRAY,without mark	1
RKV 200S	1	159025140020	RANKCASE ASSY., GRAY,MARK:KEEWAY*MADE IN	1
RKV 200S-AERO 200	2	159105140000	STUD BOLT	2
RKV 200S-AERO 200	3	B12016000203	BEARING 6002-RS	1
RKV 200S-AERO 200	4	B12016020403	BEARING 6204/P6	1
RKV 200S-AERO 200	5	B12016020307	BEARING 6203/P63	1
RKV 200S-AERO 200	6	150113090000	WASHER	1
RKV 200S-AERO 200	7	130023090000	PIN,DOWEL	2
RKV 200S-AERO 200	8	150153090000	HOSE,BREATHER	1
RKV 200S-AERO 200	9	150103090000	FILTER	1
RKV 200S-AERO 200	10	150023090090	CAP,FILTER	1
RKV 200S-AERO 200	11	100084050000	WASHER	2
RKV 200S-AERO 200	12	B01080615564	BOLT M6x155	2
RKV 200S-AERO 200	13	B01030501263	BOLT M5x12	2
RKV 200S-AERO 200	14	10001305001X	BOLT M6X95	1
RKV 200S-AERO 200	15	B190106050B0	O RING 60.5x2.4	1
RKV 200S-AERO 200	16	15008309001X	THE SPIRAL STOPS UP	1
RKV 200S-AERO 200	17	150093090000	WASHER	1
RKV 200S-AERO 200	18	210073090000	SEAL	1
RKV 200S-AERO 200	19	210093090000	COVER,SEAL	1
RKV 200S-AERO 200	20	B02010601263	SCREW M6x12	2

E06 LEFT CRANKCASE ASSY CONT'



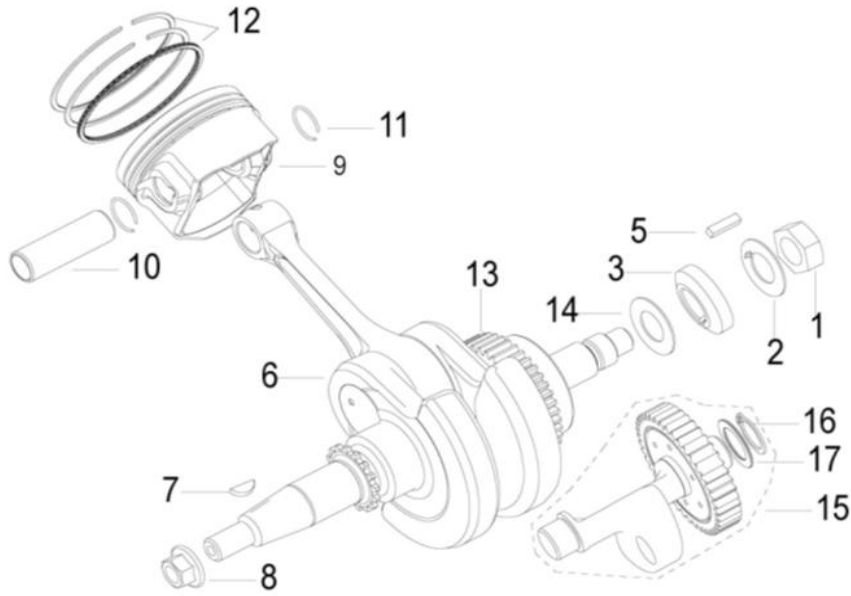
Model	Ref NO.	CODE	DESCRIPTION	Qty
RKV 200S-AERO 200	21	B01030601063	BOLT M6X10	2
RKV 200S-AERO 200	22	B01070607564	BOLT M6X75	3
RKV 200S-AERO 200	23	B01070606064	BOLT M6X60	4
RKV 200S-AERO 200	24	B01070605564	BOLT M6X55	1
RKV 200S-AERO 200	25	150304230000	BEARING	1
RKV 200S-AERO 200	26	B01070602064	BOLT M6X20	3
RKV 200S-AERO 200	27	B01070606563	BOLT M6X65	2
RKV 200S-AERO 200	28	B01070606063	BOLT M6X60	1
RKV 200S-AERO 200	29	B01070607563	BOLT M6X75	3
RKV 200S-AERO 200	30	160121170000	CLIP	1

E07 MAGNETO COVER



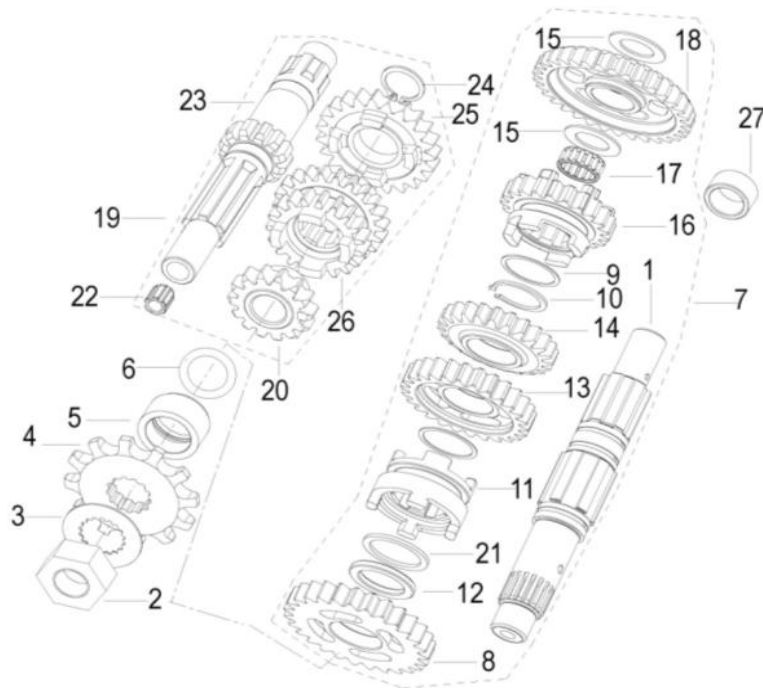
Model	Ref NO.	CODE	DESCRIPTION	Qty
RKV 200S-AERO 200	1	169073210010	GASKET,COVER MAGNETO	1
RKV 200S-AERO 200	2	150112070000	WASHER	2
RKV 200S-AERO 200	3	160253090000	O RING13.8X2.5	1
RKV 200S-AERO 200	4	160203090002	PLUG	1
RKV 200S-AERO 200	5	169063090090	COVER,MAGNETO GRAY	1
RKV 200S	5	169023210050	COVER,MAGNETO GRAY,MARK:KCPCO	1
RKV 200S-AERO 200	6	169053090140	COVER,SPROCKET GRAY	1
RKV 200S-AERO 200	7	160383090000	SEAL COVER	1
RKV 200S-AERO 200	8	B190102240C0	O RING22.4x3.55	1
RKV 200S-AERO 200	9	B01070603064	BOLT M6x30	2
RKV 200S-AERO 200	10	B01070603564	BOLT M6x35	2
RKV 200S-AERO 200	11	B01070604064	BOLT M6x40	3
RKV 200S-AERO 200	13	299033090000	STATOR ASSY. COMP.	1
RKV 200S-AERO 200	14	B01030502863	BOLT M5x28	2
RKV 200S-AERO 200	15	B02040401223	SCREW M4x12	2

E08 CRANKSHAFT CONROD & PISTON ASSY



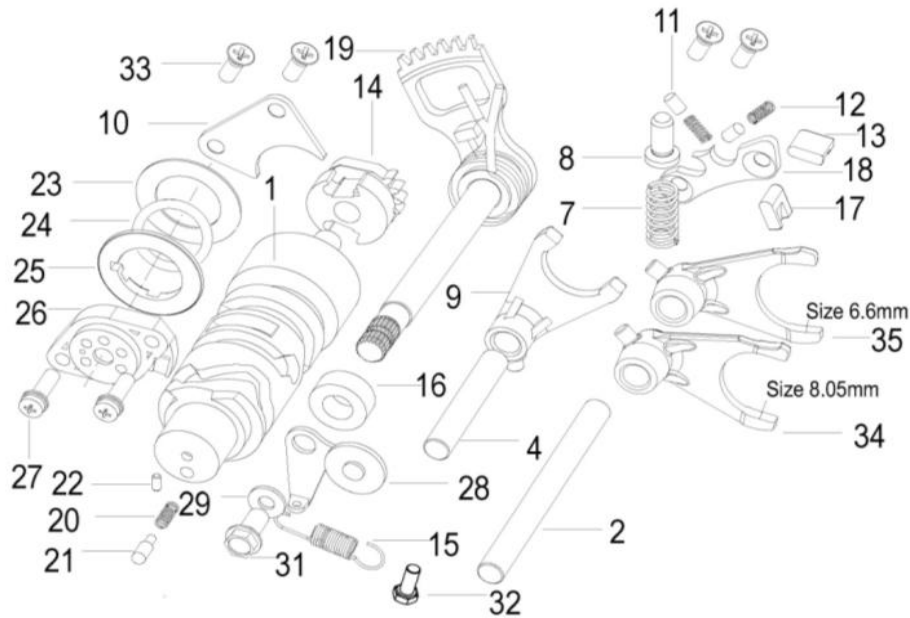
Model	Ref NO.	CODE	DESCRIPTION	Qty
RKV 200S-AERO 200	1	170013090000	NUT M16X1.5	1
RKV 200S-AERO 200	2	170023090000	WASHER	1
RKV 200S-AERO 200	3	269063090000	OIL PUMP , GEAR DRIVE	1
RKV 200S-AERO 200	5	170041170000	KEY 4x20	1
RKV 200S-AERO 200	6	179015140000	CRANKSHAFT&CONNECTING ROD ASSY	1
RKV 200S-AERO 200	7	B11810305013	KEY	1
RKV 200S-AERO 200	8	240013060010	NUT M12x1.25	1
RKV 200S-AERO 200	9	179135140010	PISTON	1
RKV 200S-AERO 200	10	179145140000	PIN,PISTON	1
RKV 200S-AERO 200	11	179155140000	CIRCLIP	2
RKV 200S-AERO 200	12	170045140000	RING ASSY	1
RKV 200S-AERO 200	13	179263210002	GEAR DRIVE	1
RKV 200S-AERO 200	14	150033090000	WASHER	1
RKV 200S-AERO 200	15	179245140000	BALANCE SHAFT ASSY	1
RKV 200S-AERO 200	16	B08010001701	CIRCLIP	1
RKV 200S-AERO 200	17	170303210000	WASHER	1

E09 COUNTER&DRIVE SHAFT ASSY



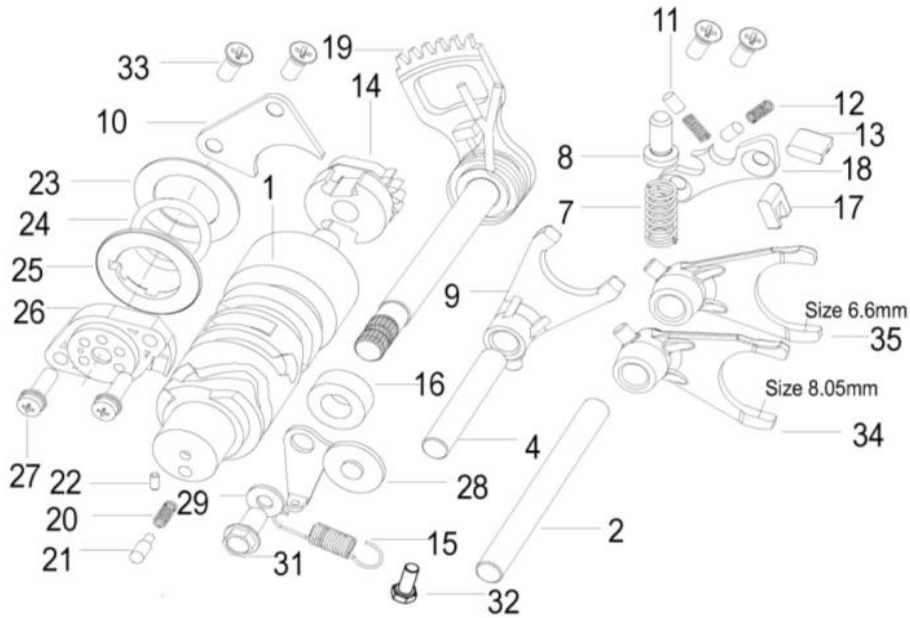
Model	Ref NO.	CODE	DESCRIPTION	Qty
RKV 200S-AERO 200	1	219223390000	SHAFT,DRIVE	1
RKV 200S-AERO 200	2	210063090000	WASHER,LOCK M16X1.5	1
RKV 200S-AERO 200	3	219313090000	GASKET, COVER MAGNETO	1
RKV 200S-AERO 200	4	219303090000	SPROCKET,ENGINE 13TEETH	1
RKV 200S-AERO 200	5	210053090000	SPACER	1
RKV 200S-AERO 200	6	B190101900B1	O RING 19x2.65	1
RKV 200S-AERO 200	7	219215140000	DRIVEN SHAFT ASSY	1
RKV 200S-AERO 200	8	219245140000	GEAR,2ND DRIVEN	1
RKV 200S-AERO 200	9	210043390000	WASHER 22	2
RKV 200S-AERO 200	10	210053390000	CIRCLIP 22	1
RKV 200S-AERO 200	11	210024230000	TWO THIRD GEAR DRIVEN CLAWS	1
RKV 200S-AERO 200	12	210013390000	WASHER	1
RKV 200S-AERO 200	13	219253390000	GEAR, 3 RD DRIVEN	1
RKV 200S-AERO 200	14	219264230000	GEAR, 4 TH DRIVEN	1
RKV 200S-AERO 200	15	210133090000	WASHER	2
RKV 200S-AERO 200	16	219274230000	WASHER	1
RKV 200S-AERO 200	17	210463090000	BERING	1
RKV 200S-AERO 200	18	219233090000	GEAR, 1ST DRIVEN	1
RKV 200S-AERO 200	19	219135140000	DRIVE SHAFT ASSY	1
RKV 200S-AERO 200	20	219163390000	DRIVING TWO SPEED GEAR	1
RKV 200S-AERO 200	21	210033390000	WASHERS Φ23	1
RKV 200S-AERO 200	22	210043090000	STOPS UP THE COLUMN	1
RKV 200S-AERO 200	23	229045140000	SHAFT,COUNTER	1
RKV 200S-AERO 200	24	210043090000	CIRCLIP	1
RKV 200S-AERO 200	25	219194230000	DRIVING FIFTH GEAR GEAR	1
RKV 200S-AERO 200	26	219174230000	INITIATIVE THREE, FOURTH SPEED GEAR	1
RKV 200S-AERO 200	27	210013210000	SPACER	1

E10 GEAR SHIFT MECHANISM



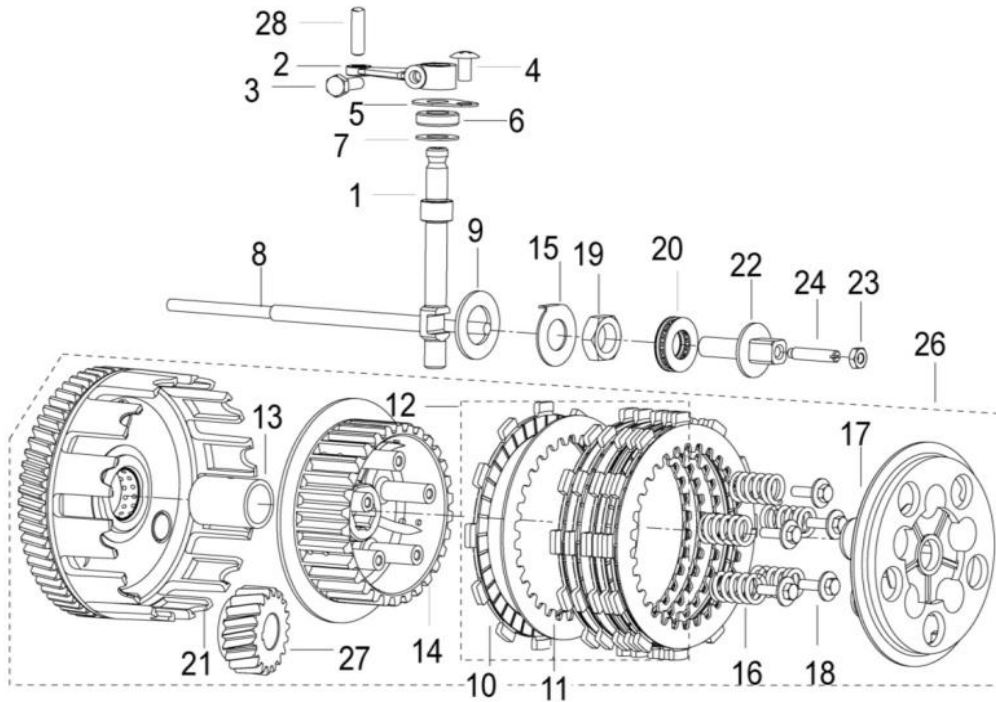
Model	Ref NO.	CODE	DESCRIPTION	Qty
RKV 200S-AERO 200	1	250043090000	DRUM, GEAR SHIFT	1
RKV 200S-AERO 200	2	219093090000	SHAFT, GEAR SHIFT	1
RKV 200S-AERO 200	4	219083090000	SHAFT, SHIFT FORK	1
RKV 200S-AERO 200	7	210393090000	LATCH SPRING	1
RKV 200S-AERO 200	8	210383090000	NEUTRAL LATCH	1
RKV 200S-AERO 200	9	219113090000	FORK	1
RKV 200S-AERO 200	10	250063090000	ON NOTCH WHEEL THRUSTPLATE	1
RKV 200S-AERO 200	11	210303090000	NOTCH WHEEL BACK-UP POST	2
RKV 200S-AERO 200	12	210283090000	RATCHET SPRING	2
RKV 200S-AERO 200	13	210273090000	RIGHT PAWL	1
RKV 200S-AERO 200	14	250083090000	CHANGES THE FILES NOTCH WHEEL MODULE	1
RKV 200S-AERO 200	15	210363090002	ABUT ARM EXTENSION SPRING	1
RKV 200S-AERO 200	16	210373090000	OIL SEAL	1
RKV 200S-AERO 200	17	210293090000	LEFT PAWL	1
RKV 200S-AERO 200	18	250033090000	UNDER NOTCH WHEEL THRUSTPLATE	1
RKV 200S-AERO 200	19	219063210000	SHAFT, GEAR SHIFT	1
RKV 200S-AERO 200	20	210313090000	SPRING	1
RKV 200S-AERO 200	21	210323090000	ANTENNA	1
RKV 200S-AERO 200	22	B091404006B0	PIN B4x6	1
RKV 200S-AERO 200	23	250073090000	WASHER	1
RKV 200S-AERO 200	24	B190102580B0	O RING 25.8x2.65	1
RKV 200S-AERO 200	25	210253090000	CHANGES GRADE OF DRUM BACK PLATE	1

E10 GEAR SHIFT MECHANISM CONT'



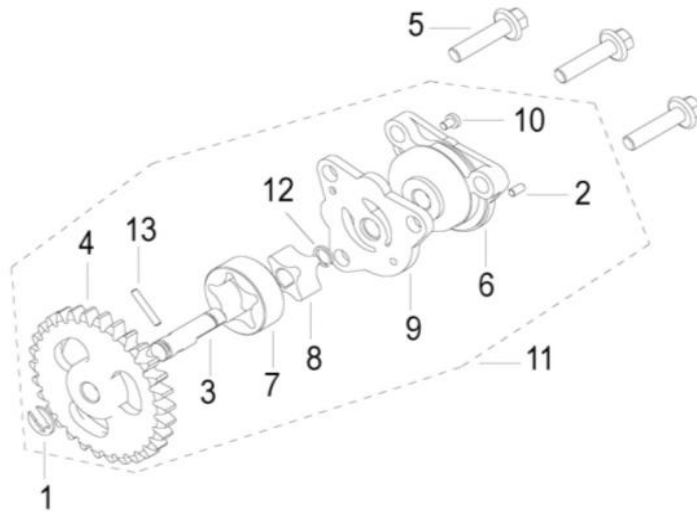
Model	Ref NO.	CODE	DESCRIPTION	Qty
RKV 200S-AERO 200	26	210263090002	FILES POSITION CONTACT DEVICE	1
RKV 200S-AERO 200	27	B13080502022	SCREW W/WASHER M5x20	2
RKV 200S-AERO 200	28	210353090002	ABUT ARM MODULE	1
RKV 200S-AERO 200	29	210343090000	WASHER 6	1
RKV 200S-AERO 200	31	210333090000	MOVE BOLT M6	1
RKV 200S-AERO 200	32	150263090000	BOLTS M4X10	1
RKV 200S-AERO 200	33	B02010601263	SCREW M6X12	4
RKV 200S-AERO 200	34	219103390000	FORK,LEFT	1
RKV 200S-AERO 200	35	219123390000	FORK,RIGHT	1

E11 CLUTCH ASSY



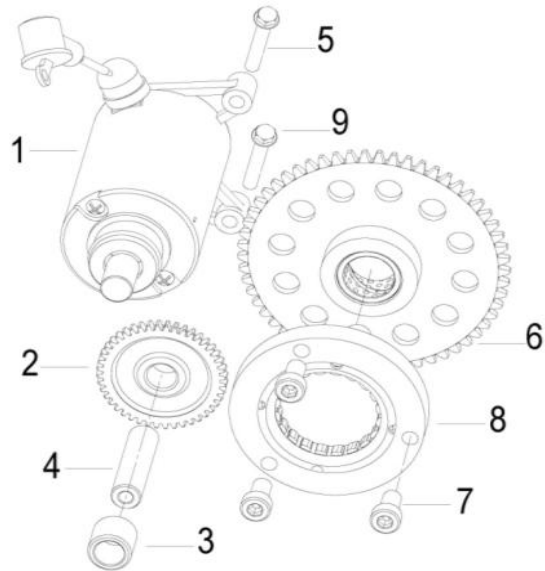
Model	Ref NO.	CODE	DESCRIPTION	Qty
RKV 200S-AERO 200	1	129083090000	CAMSHAFT	1
RKV 200S-AERO 200	2	209073090000	SEPARATION RELEASE LEVER	1
RKV 200S-AERO 200	3	B01010601625	BOLT M6x16	1
RKV 200S-AERO 200	4	B02060601224	CROSS TROUGH FLAT CUP HEAD SCREW M6x12	1
RKV 200S-AERO 200	5	200173090000	CLIP	1
RKV 200S-AERO 200	6	200023090000	TUMBLER AXIS OIL SEAL	1
RKV 200S-AERO 200	7	200013090000	WASHER,THRUST	2
RKV 200S-AERO 200	8	200013210000	PUSH ROD	1
RKV 200S-AERO 200	9	200043090000	WASHER,THRUST	1
RKV 200S-AERO 200	10	200083090000	PLATE, DRIVE	5
RKV 200S-AERO 200	11	200025140000	PLATE, DRIVE	4
RKV 200S-AERO 200	13	200053090000	SPACER	1
RKV 200S-AERO 200	14	200015140000	HUB, CLUTCH SLEEVE	1
RKV 200S-AERO 200	15	200163090000	WASHER	1
RKV 200S-AERO 200	16	200113090000	SPRING	5
RKV 200S-AERO 200	17	200103090000	PRESSURE PLATE	1
RKV 200S-AERO 200	18	B13010501605	SCREW W/WASHER M5x16	5
RKV 200S-AERO 200	19	200153090000	PIECE,DIRVE	1
RKV 200S-AERO 200	20	200123090000	NEEDLE BEARING	1
RKV 200S-AERO 200	21	200095140000	GEAR, PRIMARY DRIVE	1
RKV 200S-AERO 200	22	200143090000	SEAT, BEARING	1
RKV 200S-AERO 200	23	B04000600054	NUT M6	1
RKV 200S-AERO 200	24	20013309001X	SCREW M6	1
RKV 200S-AERO 200	26	209005140000	CLUTCH ASSY	1
RKV 200S-AERO 200	27	170035140000	GEAR DRIVE	1
RKV 200S-AERO 200	28	B090406014A5	SHAFT M6x14	1

E12 OIL PUMP ASSY



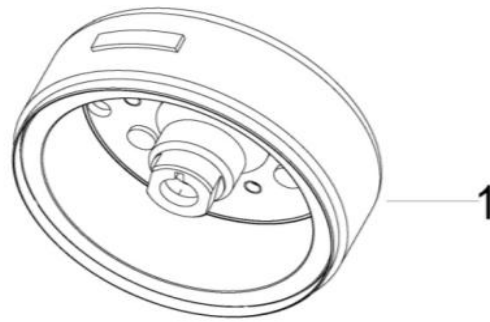
Model	Ref NO.	CODE	DESCRIPTION	Qty
RKV 200S-AERO 200	1	B08030000601	RING 6	1
RKV 200S-AERO 200	2	B091403006A1	PIN B3x6	1
RKV 200S-AERO 200	3	269085140000	OIL PUMP SHAFT	1
RKV 200S-AERO 200	4	269065140010	GEAR OIL PUMP	1
RKV 200S-AERO 200	5	B01070602563	BOLT M6x25	3
RKV 200S-AERO 200	6	269095140000	OIL PUMP BODY	1
RKV 200S-AERO 200	7	260056110000	ROTOR	1
RKV 200S-AERO 200	8	260046110000	OIL PUMP INNER ROTOR	1
RKV 200S-AERO 200	9	260015140000	OIL PUMP EXTERNAL ROTOR	1
RKV 200S-AERO 200	10	B02000300522	SCREW	1
RKV 200S-AERO 200	11	269015140000	OIL PUMP ASSY	1
RKV 200S-AERO 200	12	260086110000	RING	1
RKV 200S-AERO 200	13	B09012501614	PIN 2.5x16	1

E13 STARTING MOTOR ASSY



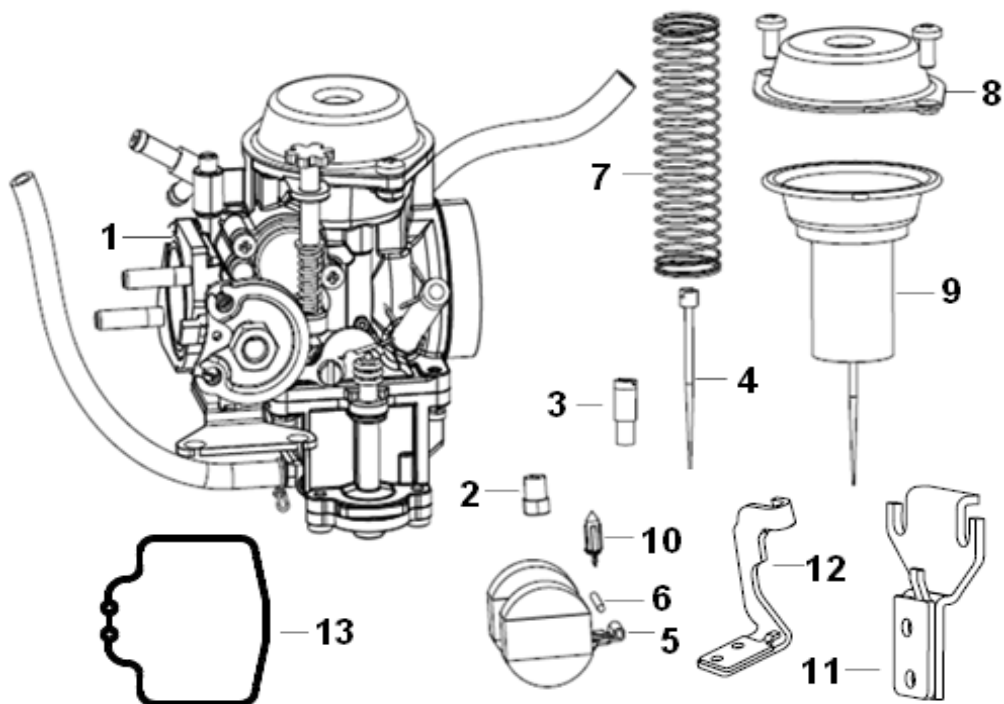
Model	Ref NO.	CODE	DESCRIPTION	Qty
RKV 200S-AERO 200	1	249015140090	STARTER MOTOR ASSY.COMP.GRAY	1
RKV 200S-AERO 200	2	249045140000	START TURN IDLENESS	1
RKV 200S-AERO 200	3	240013090000	BUSHING BLOCK	1
RKV 200S-AERO 200	4	240023090000	HINGE PIN	1
RKV 200S-AERO 200	5	B01070603264	BOLT M6x32	1
RKV 200S-AERO 200	6	249075140000	GEAR,STARTER	1
RKV 200S-AERO 200	7	240025140000	SCREW	3
RKV 200S-AERO 200	8	249103300000	STARTER CLUTCH ASSY. COMP.	1
RKV 200S-AERO 200	9	B01070603264	BOLT M6x32	1

E14 ROTOR ASSY



Model	Ref NO.	CODE	DESCRIPTION	Qty
RKV 200S-AERO 200	1	299025140000	ROTOR ASSY	1

E15 CARBURETOR ASSY



Model	Ref NO.	CODE	DESCRIPTION	Qty
RKV 200S-AERO 200	1	3390002T0030	CARBURETOR ASSY,MJ265#,NJ70#,mark:J5 B	1
RKV 200S-AERO 200	2	3311501T0005	MAIN JET 265#	1
RKV 200S-AERO 200	3	3312401T0000	IDLE JET 70#	1
RKV 200S-AERO 200	4	3324201T0000	NEEDLE	1
RKV 200S-AERO 200	5	3340101T0000	FLOAT	1
RKV 200S-AERO 200	6	3340601T0000	PIN,FLOAT	1
RKV 200S-AERO 200	7	3322401T0000	SPRING	1
RKV 200S-AERO 200	8	3326801T0000	COVER ASSY.UPPER	1
RKV 200S-AERO 200	9	3322201T0000	VALVE ASSY.PISTON	1
RKV 200S-AERO 200	10	3342001T0000	VALVE NEEDLE	1
RKV 200S	11	3328501T0002	BRACKET	1
RKV 200S-AERO 200	12	3328501T0003	BRACKET	1
RKV 200S-AERO 200	13	3351401T0000	SEAL	1