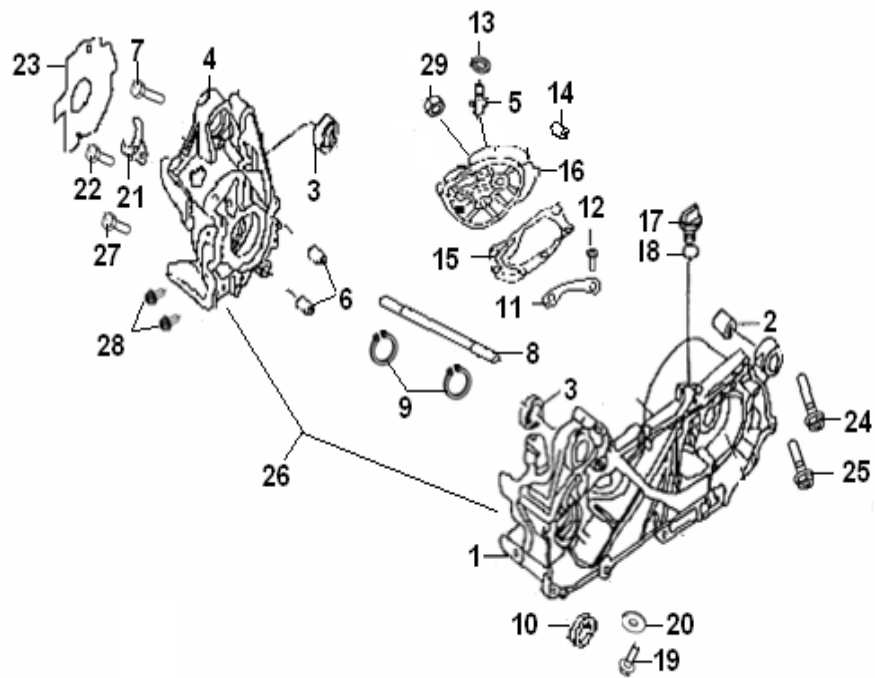


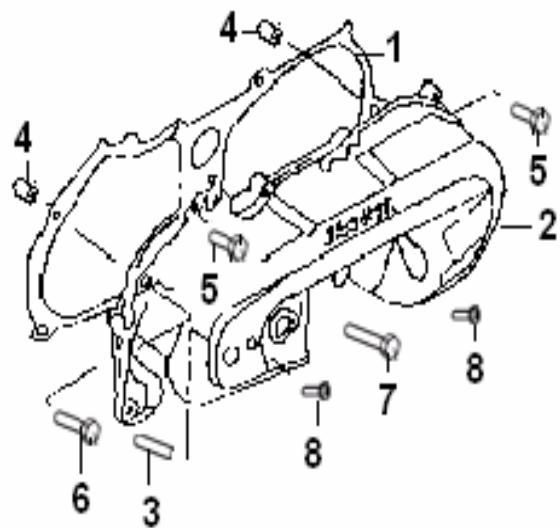
1 CYLINDER HEAD ASSY

NO	PARTS NO.	QJ CODE	DESCRIPTION	QTY
1	40-1-1	109061160000	HEAD , CYLINDER	1
2	40-1-2	109071160000	GASKET , CYLINDER HEAD	1
3	52-1.2	299072090030	SPARK PLUG	1
4	40-1-3A	139031160011	CYLINDER	1
5	40-1-4	139021160030	GASKET , CYLINDER	1
6	40-2-10	15910116001X	STUD BOLT	4
7	50-2-9	27007208001X	NUT	4



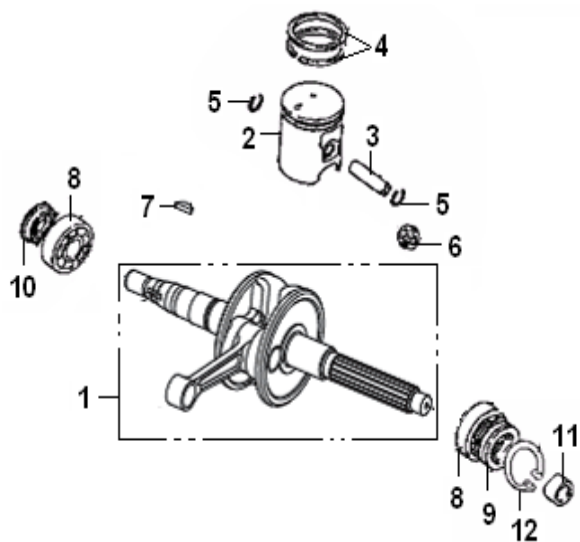
2 CRANKCASE ASSY

NO	PARTS NO.	QJ CODE	DESCRIPTION	QTY
1	40-2-12D	159041040001	CRANKCASE,LH	1
2	50-2.1	150012080000	BUSH,ENGINE MOUNTING	1
3	GB/T276-1994	B12016000300	BEARING 6003-2RS	2
4	40-7-1	159051160000	CRANKCASE,RH	1
5	50-16-2	250012080000	SHAFT	1
6	50-2-15	150042080000	DOWEL PIN 12X16	2
7	GB/T16674-1986	B01070603563	PAN HEAD SCREW M6X35	4
8	QJ1E40QMB-4.3-3	15001107001X	AXLE,engine mount	1
9	GB/T894.1	B08010001701	CIRCLIP 17	2
10	50-2-13	150032080000	bush	1
11	QJ1E40QMB-4.1-2	150121070000	BEARING HOLDER	1
12	GB/T16674.1	B01070601263	PAN HEAD SCREW M6X12	2
13	O型圈6.8X1.9	160223070000	O RING	1
14	50-2-15	150042080000	DOWEL PIN 12X16	2
15	QJ1E40QMB-4.9-2	210012080040	GASKET , GEAR BOX	1
16	QJ1E40QMB-4.9-1	240011070000	COVER, GEAR BOX	1
17	50-2-3	220032080000	OIL PLUG	1
18	50-2-4	220042080000	O RING	1
19	50-2-2	22007208002X	FLANGE BOLT M8X16	1
20	153FM-0900003	210013050000	PLATE WASHER 8	1
21	50-7-4	150102080000	OIL SEAL HOLDER	1
22	GB/T16674.1	B01070601263	PAN HEAD SCREW M6X12	1
23	50-7-3	150062080030	GASKET	1
24	GB/T16674.1	B01070805563	SCREW M8X55	2
25	GB/T16674.1	B01070805063	SCREW M8X50	5
26	QJ1E40QMB-4.1-1/3-2	15001107003Z	CRANKCASE	1
27	GB/T16674.1	B01070602563	SCREW	2
28	GB/T823	B02040501463	SCREW	2
29	GB/T6187.1 M8(8级 镀白锌)	B04170800052	NUT	1



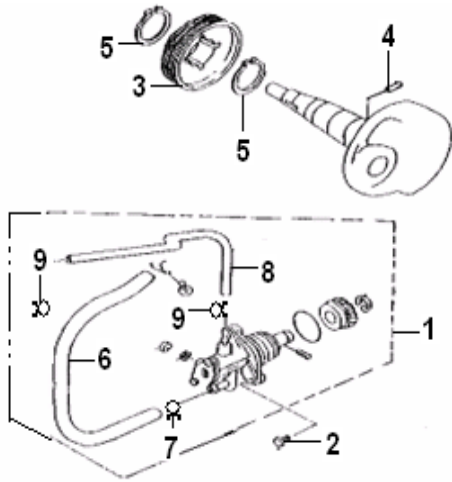
3 SIDECOVER ASSY

NO	PARTS NO.	QJ CODE	DESCRIPTION	QTY
1	50-0-1	169072080030	GASKET , SIDE COVER	1
2	50-3-1	169022080100	SIDE COVER	1
3	50-2-8	150092080000	SHAFT	1
4	157.4-6	150083070000	DOWEL PIN	2
5	GB/T16674.1	301310602564	SCREW M6X25	8
6	GB/T16674.1	301310603564	SCREW	2
7	GB/T16674.1	301310606564	PAN HEAD SCREW	1
8	GB973	B02060601224	STOPPER	1



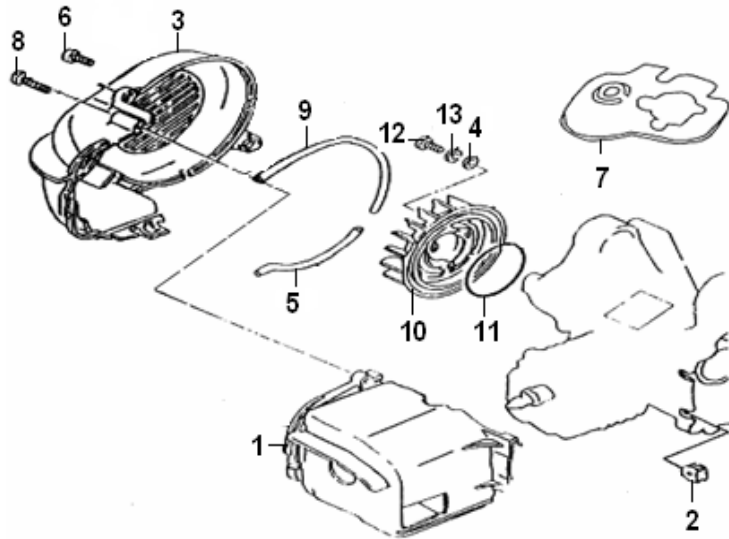
4 PISTON CRANKSHAFT CONNECTING ROD

NO	PARTS NO.	QJ CODE	DESCRIPTION	QTY
1	QJ1E40MB.8.1	179011160010	CRANKSHAFT , ASSY	1
2	QJ1E40QMB-4.4.2-1	179131070022	PISTON ASSY	1
3	QJ1E40MB.8-2	179141160000	PISTON PIN	1
4	QJ1E40QMB-4.4.1-1	170021070000	PISTON RING	2
5	50-4-4	170092080000	CIRCLIP	2
6	QJ1E40MB.8.2	170031160000	NEEDLE BEARING	1
7	GB/T1099-1979	B12810035013	WOODRUFF KEY	1
8	GB/T276	B12016E20401	BALL BEARING	2
9	50-2-14	170012080000	OIL SEAL	1
10	50-7-2	150082080000	OIL SEAL ASSY	1
11	50-4-2	17008208001X	COLLAR	1
12	50-2-16	170022080000	CIRCLIP	1



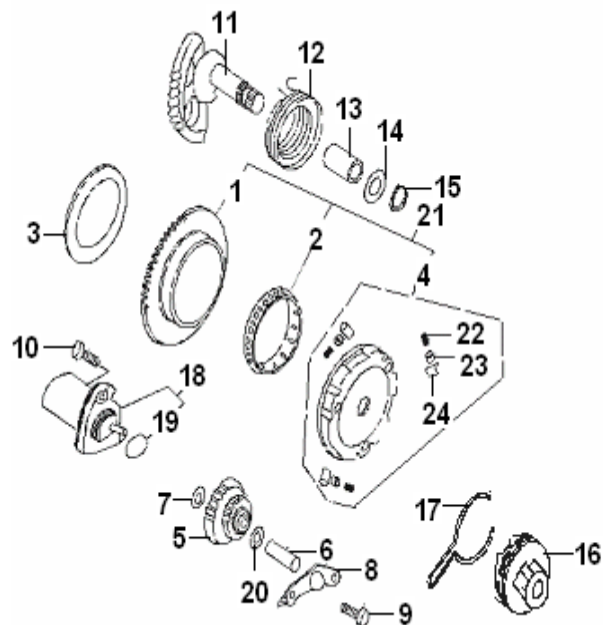
5 OIL PUMP

NO	PARTS NO.	QJ CODE	DESCRIPTION	QTY
1	QJ1E40QMB-4.10	269011070010	OIL PUMP ASSY	1
2	GB/T823-2000	B02000501463	SCREW	2
3	50-4-6	170112080000	WORM	1
4	GB/T119.2	B091403014B0	PIN	1
5	50-4-7	170122080000	CIRCLIP	2
6	QJ1E40QMB-4.10.2-1	260151070000	HOSE,OIL INLET	1
7	50-0.0.2-2A	260232080001	HOSE CLIP	2
8	QJ1E40QMB-4.10.3-1	260021070010	HOSE,OIL OUTLET	1
9	50-0.0.3-2A	260242080001	HOSE CLIP	2



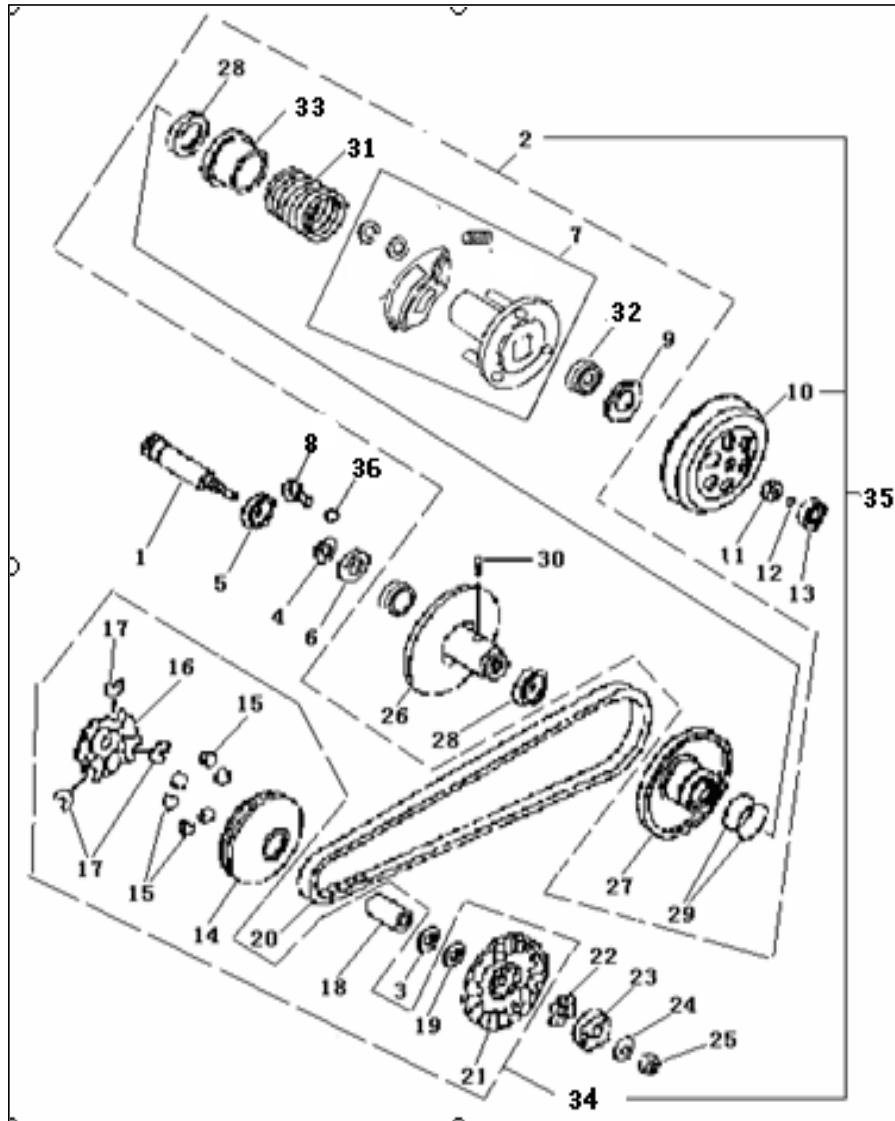
6 AIR COOLING SYSTEM

NO	PARTS NO.	QJ CODE	DESCRIPTION	QTY
1	40-8-1	270011160000	COWLING,cylinder	1
2	50-2-11	150022080000	GROMMET	2
3	40-8-2	279041160010	COVER ASSY (FAN)	1
4	GB/T97.1-2002	B07030000600	WASHER φ6	3
5	50-8-5 (短)	270122080020	BEADING (RUBBER)	1
6	GB/T16674.1 M6×20 (镀彩锌)	B01070602064	BOLT M6X20	2
7	50-0-4	270052080000	DUST COVER (RUBBER)	1
8	GB/T5282-1985	B05035504004	SCREW ST5.5X40-F	1
9	50-8-5 (长)	270122080010	BEADING (RUBBER)	1
10	50-0.0.1-1/50-0.0.1-2/50-0.0.1-3	27903116002Z	FAN ASSY	1
11	50-0.0.1-2	270022080000	RUBBER RING 70X3.1	1
12	GB/T5787	B02000601623	SCREW M6X16	3
13	GB/T93-1987	B07030000603	SPRING WASHER φ6	3



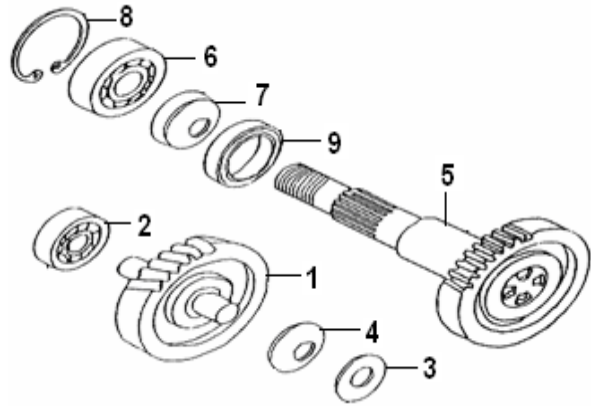
7 KICK STARTER ASSY

NO	PARTS NO.	QJ CODE	DESCRIPTION	QTY
1	50-15.0.2	200022080000	START GEAR ASSY	1
2	50-15.0.1	200012080000	NEEDLE BEARING	1
3	50-15-4	24003208001X	THRUST WASHER	1
4	50-15.1.1A	249092080001	START HOLDER ASSY	1
5	50-15-1/50-15.2	249022080000	DRIVEN GEAR,STARTER	1
6	18302	150092080000	IDLE GEAR SHAFT	1
7	50-15-3	24002208001X	PLATE WASHER	1
8	50-15-2	24001208003X	IDLE GEAR HOLDER	1
9	GB/T16674.1 M6x10	B01070601063	SCREW	2
10	GB/T70-2000	B02050602063	SCREW	2
11	50-3.0.3B	259012080002	SHAFT, kick starter	1
12	50-3-3	250042080010	SPRING	1
13	50-3-10B	250022080002	BUSH	1
14	50-3-11	250052080000	WASHER ,kick starter	1
15	GB/T894.1	B080100015A0	CIRCLIP	1
16	50-3.0.1	250062080000	KICK PINION ASSY	1
17	50-3-2	250032080000	CLIP	1
18	50-11	249012080010	STARTING MOTOR ASSY	1
19	GB/T3452.1	B190102120B0	O-RING	1
20	50-15-5	24004208001X	PLATE WASHER	1
21	50-15.1A	200032080001	START CLUTCH ASSY	1
22	50-15.1-4(A)	200082080001	SPRING	3
23	50-15.1-3(A)	200072080001	CAP	3
24	50-15.1-2(A)	200062080001	ROLLER	3



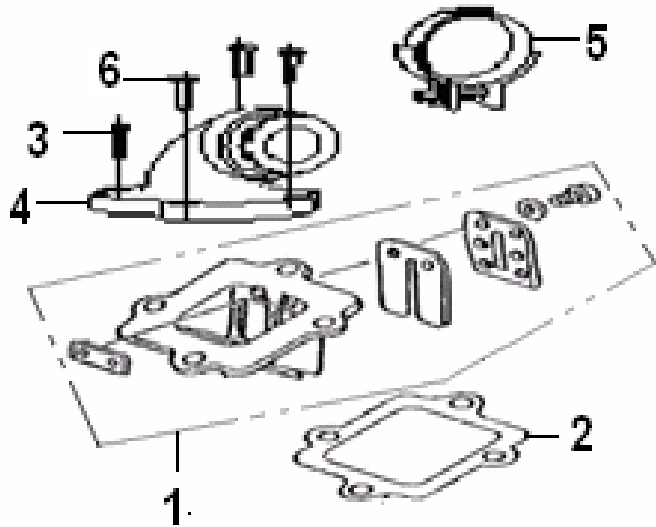
8 CLUTCH ASSY

NO	PARTS NO.	QJ CODE	DESCRIPTION	QTY
1	229041070001	229041070001	PRIMARY DRIVE SHAFT	1
2	40-5.1	200071040010	DRIVEN PULLEY & CLUTCH ASSY	1
3	QJ1E40QMB-4.2-1	200011070013	WASHER	1
4	GB/T894.1	B08010001701	CIRCLIP	1
5	GB/T276-1994	B12016000303	ROLING BEARING 6203	1
6	QJ1E40QMB-4.2-2	200021070000	OIL SEAL	1
7	40-5.1.2	200091040000	CLUTCH ASSY,shoe	3
8	50-5.1.1-4	200142080000	PLATE WASHER	1
9	50-5.1-2	200282080000	NUT	1
10	50-5.1.4	200262080000	CLUTCH DRUM	1
11	50-5.1-3	20029208002X	NUT	1
12	200492080000	200492080000	RING	2
13	50-3-6	120012080000	BEARING 638Z	1
14	QJ1E40QMB-4.2.4	220041070000	FACE,movable drive	1
15	QJ1E40QMB-4.2.5	220141070000	ROLLER	6
16	50-5-6	200352080000	PLATE,movable drive	1
17	50-5-5	200342080000	DAMPER	3
18	50-5-7	200362080000	COLLER	1
19	40-5-12	200021160000	WASHER	1
20	40-5-11	229011160020	V BELT , DRIVE	1
21	QJ1E40QMB-4.2-3	220021070000	FACE , FIXED DRIVE	1
22	50-5-9	200382080000	PLATE , WOODRUFF KEY	1
23	50-5-10	20031208002X	STARTING DISC	1
24	50-4-1	17007208001X	WASHER , SPRING	1
25	GB/T6173-2000	B04031212513	NUT	1
26	50-5.1.2.1	200152080000	FACE , FIXED DRIVEN	1
27	50-5.1.2.2	200162080000	FACE , MOVABLE DRIVEN	1
28	50-5.1.2-4	200392080000	OIL SEAL	1
29	50-5.1.2-3	200202080000	O-RING	2
30	50-5.1.2-2	200192080000	PIN , GUIDE	2
31	40-5.1-1	200071040000	SPRING	1
32	50-5.1.2-5	200222080000	ROLLER BEARING	1
33	50-5.1.2-1	200182080000	SEAT , SPRING	1
34	QJ1E40QMB-4.2.4	209001040040	DRIVE ASSY	1
35	QJ1E40QMB-4.2	229001070000	SHIFT ASSY	1
36	GB/T16674-1986	B01090801263	PAN HEAD SCREW	1



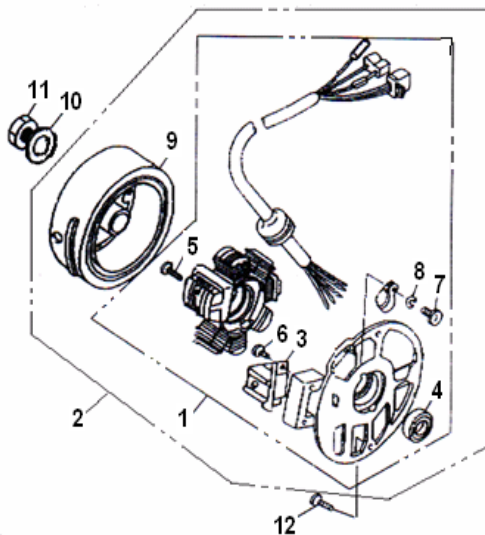
9 TRANSMISSION SYSTEM ASSY

NO	PARTS NO.	QJ CODE	DESCRIPTION	QTY
1	40-5.3	229061160000	SHAFT , IDLE	1
2	GB/T276-1994	B12016020101	BEARING 6201	1
3	50-5-3	20032208001X	PLATE WASHER12	1
4	50-5-4	20033208001X	WASHER , CONICAL	1
5	40-5.2	229081160000	DRIVEN SHAFT(GEAR BOX)	1
6	GB/T276-1994	B12016000400	BEARING	1
7	50-2-18	220012080000	OIL SEAL	1
8	50-2-16	170022080000	CIRCLIP	1
9	50-2-17	170032080000	NEEDLE BEARING	1



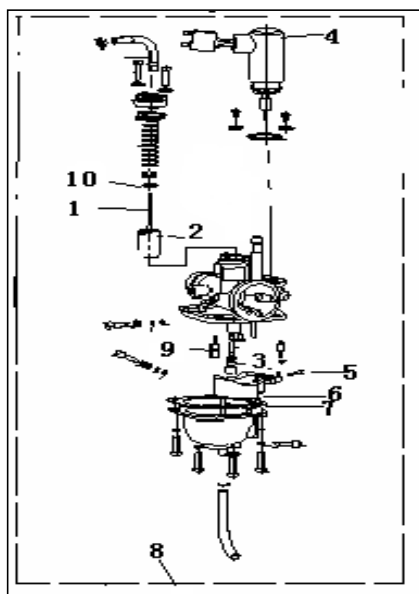
10 REED VALVE ASSY

NO	PARTS NO.	QJ CODE	DESCRIPTION	QTY
1	50-13	119002080020	REED VALVE ASSY	1
2	50-13-3	110032080030	VALVE SEAT GASKET	1
3	GB/T70-2000	B02050602063	SCREW	3
4	40-13.1-1	110011160000	PIPE, intake	1
5	50-13.2	110022080010	CLIP	1
6	40-2-20	15002116001X	SCREW	1



11 MAGNETO ASSY

NO	PARTS NO.	QJ CODE	DESCRIPTION	QTY
1	299031070001	299031070001	COIL ASSY	1
2	299011070001	299011070001	MAGNETO ASSY	1
3	50-9.2.3	290032080000	PULSE TRIGGER	1
4	JB2600-80	290120800000	OIL SEAT	1
5	GB/T818-2000	B02000502522	SCREW	2
6	GB/T818-2000	B02000501023	SCREW	2
7	GB/T818-2000	B02000400622	SCREW	1
8	GB/T93-1987	B07000000400	SPRING WASHER	1
9	50-9(D).1	299022080014	FLY WHEEL ASSY	1
10	GB/T97.1-2002	B07030001203	WASHER	1
11	153FM-0000044	27002305001X	NUT	1
12	GB/T5787	B01070601663	NUT	2



12 CARBURETOR ASSY

NO	PARTS NO.	QJ CODE	DESCRIPTION	QTY
1	PZ19JB-2-01-16	3390005E0021	NEEDLE, jet	1
2	PZ19JB-04-02	3322105E0000	VALVE, PISTON	1
3	PZ19JB-3-01-01	3311505E0100	JET, main	1
4	PZ19JB-05-13	3360105E0000	ENRICH VALVE	1
5	PZ19JB-05-02	PZ19JB-05-13	PIN, float	1
6	PZ19JB-07-02	PZ19JB-05-02	FLOAT	1
7	PZ19JB-03-01	3351405E0000	GASKET	1
8	PZ19JB	3390005E0691	CARBURETOR ASSY	1
9	PZ19JB-01-06	3312405E0000	JET, idle	1
10	PZ19J-0-22	3327402E0000	CLIPMM, V shape	1