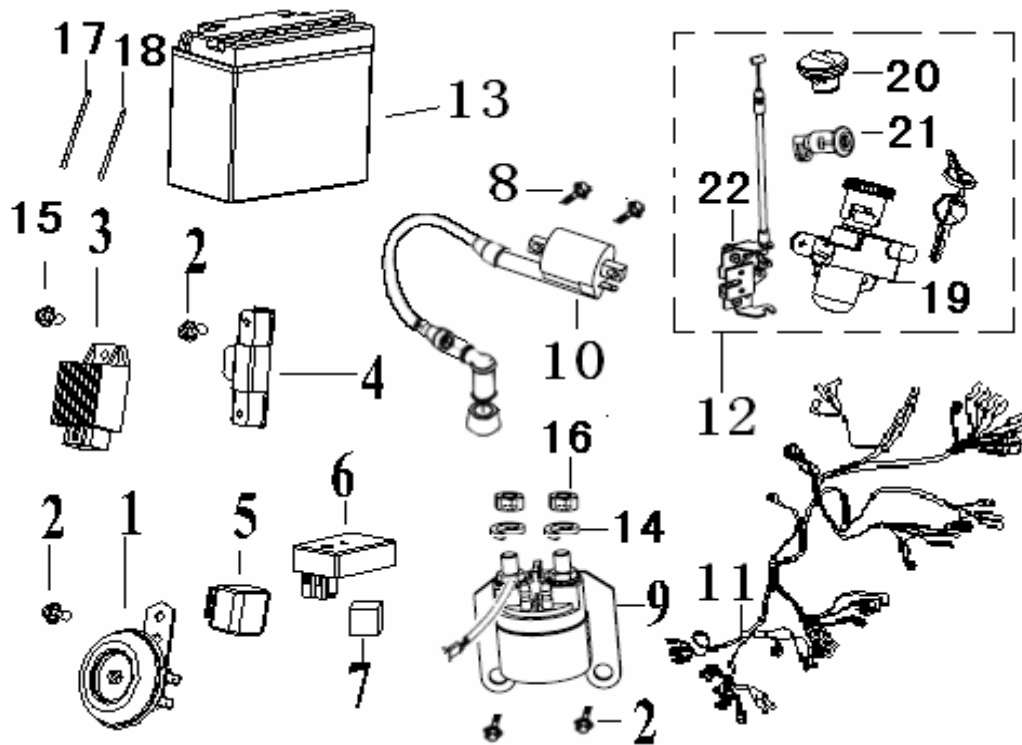


F23 ELECTRICAL EQUIPMENT ASSY.



NO.	Part No.	DESCRIPTION	DESCRIPTION	QTY.
1	95100B130010	喇叭	horn	1
2	B01090601265	螺栓M6×12	bolt 6×12mm	4
3	299061040002	调压器	rectifier	1
4	96600B310000	释放电阻	discharge resistance	1
5	96400K010001	变频闪光器	flasher relay	1
6	299051070001	直流点火器(DC)	C.D.I	1
7	96007J040000	点火器套	bush,ignitor	1
8	B13040602005	组合螺钉M6×20	bolt 6×20mm	2
9	94100J000002	启动继电器	start-up relay	1
10	96200B450000	高压包	ignition coil assy	1
11	92000B240000	电缆总成	wrie harness assy	1
12	88000B240000	套锁	socket	1
13	96100B030010	蓄电池	battery	1
14	B07000000605	弹簧垫圈6	spring washer 6	2
15	B01090601665	螺栓M6×16	bolt 6×16mm	1
16	B04000600055	螺母M6	nut M6	2
17	96003J000000	绑扎带250mm	clamp 250	1
18	40098B450000	绑扎带150mm	clamp 150	5
19	88100B240000	电源锁	lock,ignition	1
20	50200B240000	油箱锁	lock,fuel tank	1
21	88800B240000	座垫锁	lock,Seat	1
22	58800B240000	座垫锁座组件	Seat catch comp	1
23	58900B240000	座垫钢索组件	Seat cushion rope components	1

