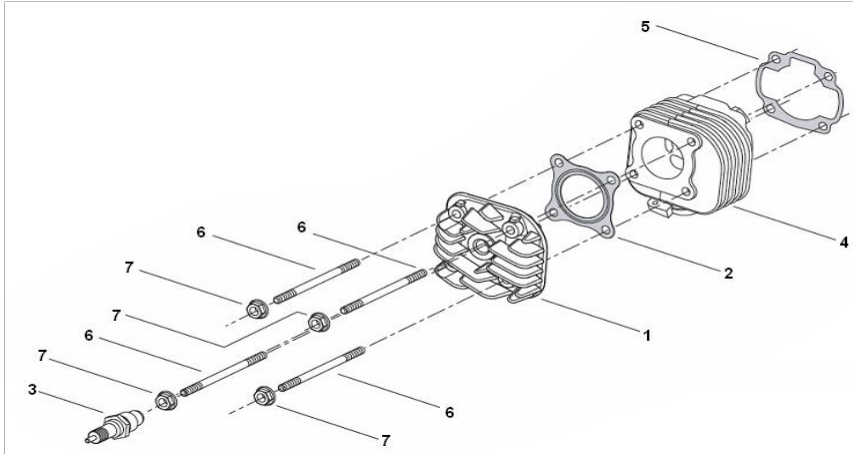
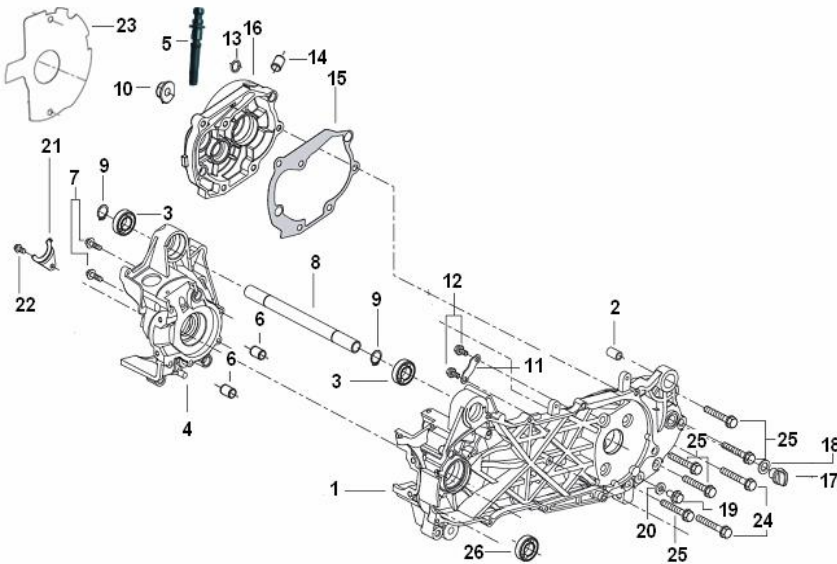


## E01 CYLINDER HEAD ASSY



NO.	Part No	EN DESCRIPTION	QTY
E01-1	109061160000	HEAD, CYLINDER (EU I )	1
E01-2	109071160000	GASKET, CYLINDER HEAD	1
E01-3	299072090030	SPARK PLUG (EU I )	1
E01-4	139031160000	CYLINDER COMP	1
E01-5	139021160030	GASKET, CYLINDER	1
E01-6	15910116001X	STUD BOLT	4
E01-7	27007208001X	NUT	4

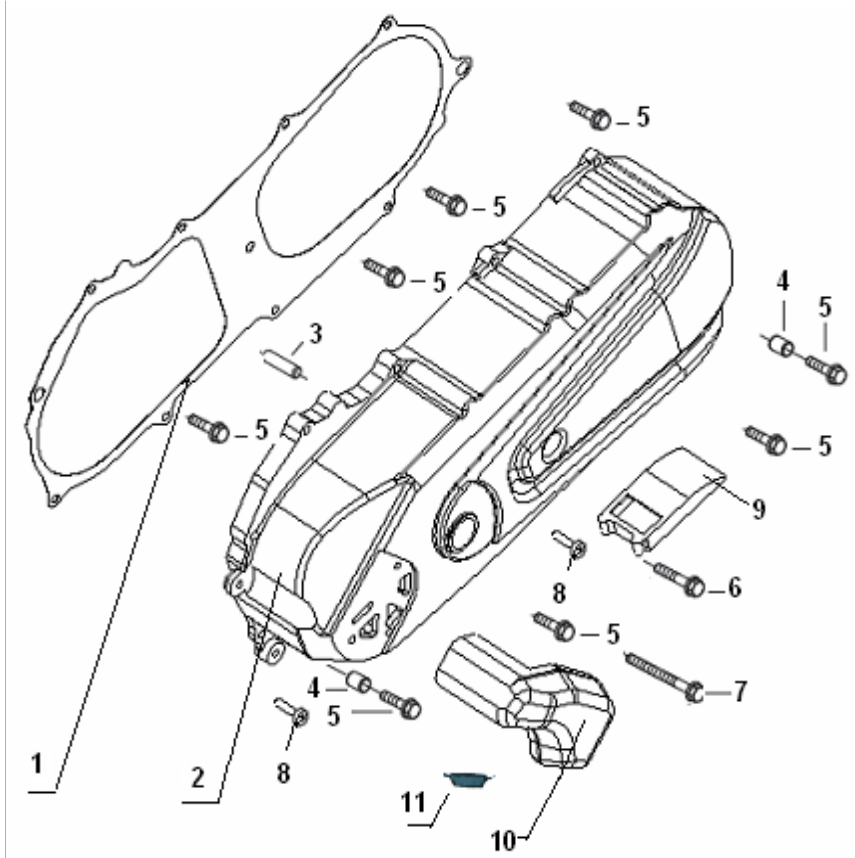
## E02 CRANKCASE ASSY



NO.	Part No	EN DESCRIPTION	QTY
E02-1		CRANKCASE,LH	1
E02-2	150012080000	BUSH,ENGINE MOUNTING	1
E02-3	B12016000300	BEARING 6003-2RS	2
E02-4		CRANKCASE,RH	1
E02-5	250012080000	BRAKE SHOE	1
E02-6	150042080000	DOWEL PIN 12X16	2
E02-7	B01070603564	PAN HEAD SCREW M6X35	6
E02-8	15001107001X	AXLE,engine mount	1

E02-9	B08010001701	CIRCLIP 17	2
E02-10	B04170800052	NUT M8	1
E02-11	150121070000	BEARING HOLDER	1
E02-12	B01070601263	PAN HEAD SCREW M6X12	2
E02-13	160223070000	O-RING	1
E02-14	150042080000	DOWEL PIN 12X16	2
E02-15	240021070030	GASKET, GEAR BOX	1
<b>E02-16</b>	<b>229101070000</b>	<b>COVER, GEAR BOX</b>	<b>1</b>
E02-17	220032080000	OIL PLUG	1
E02-18	220042080000	O RING	1
<b>E02-19</b>	<b>22007208002X</b>	<b>FLANGE BOLT M8X16</b>	<b>1</b>
E02-20	210013050000	PLATE WASHER 8	1
E02-21	150102080000	OIL SEAL HOLDER	1
E02-22	B01070601263	PAN HEAD SCREW M6X12	1
E02-23	150062080030	GASKET	1
E02-24	B01070805563	SCREW M8X55	2
E02-25	B01070805063	SCREW M8X50	5
E02-26	150032080000	bush	1

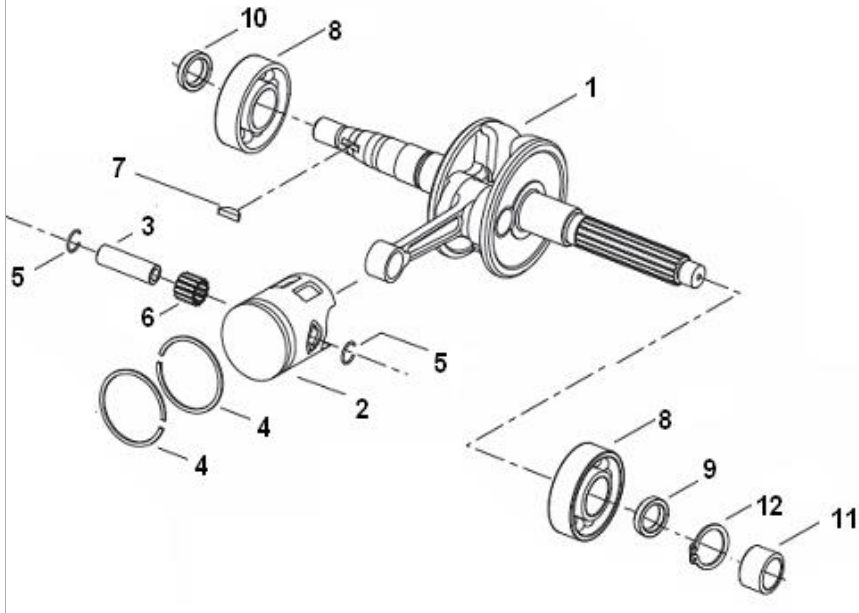
### E03 SIDECOVER ASSY



NO.	Part No	EN DESCRIPTION	QTY
E03-1	169072080030	GASKET,L CRANKCASE	1
E03-2	<b>169021070053</b>	L CRANKCASE COVER	1
E03-3	150092080000	IDLE GEAR	1
E03-4	150083070000	DOWEL PIN	2
E03-5	B01070602564	PAN HEAD SCREW M6X25	8

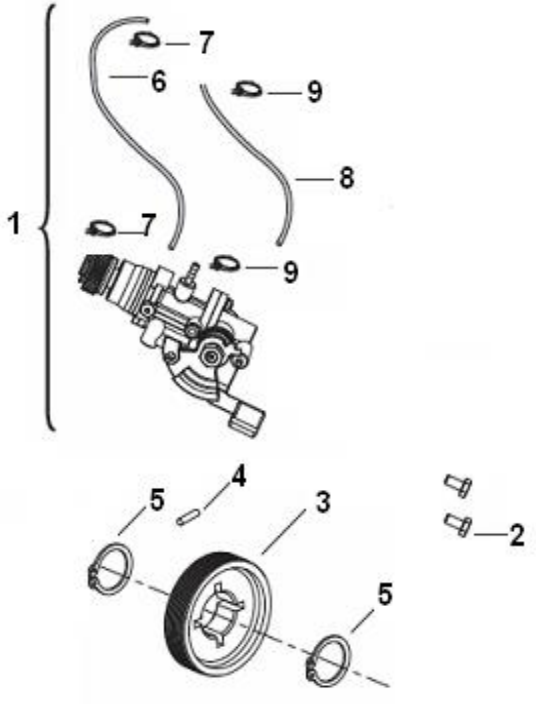
E03-6	B01070603564	PAN HEAD SCREW M6X35	1
E03-7	B01070606564	PAN HEAD SCREW M6X65	1
E03-8	B05003501302	SCREW ST3.5X14	6
E03-9	160031070000	AIR DUCT-OUTLET	1
E03-10	160021070000	AIR DUCT-INLET	1
E03-11	160011070000	FILTER ASSY	1

## E04 PISTON CRANKSHAFT CONNECTING ROD ASSY



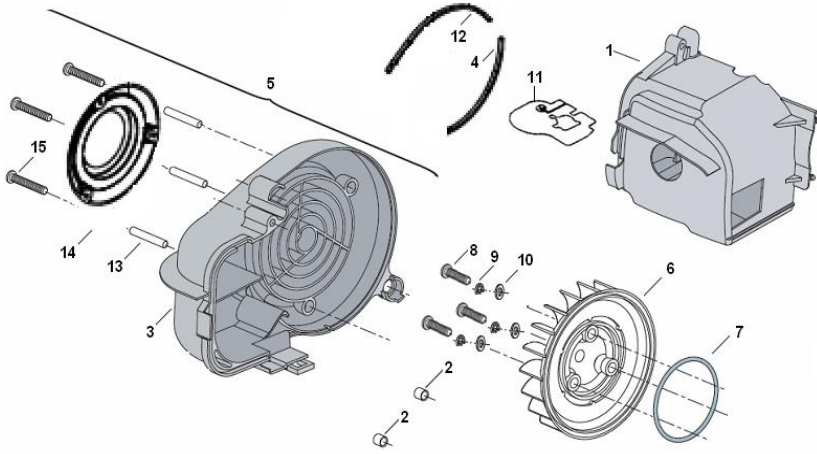
NO.	Part No	EN DESCRIPTION	QTY
E04-1	179011160030	CRANKSHAFT, ASSY	1
E04-2	179131070022	PISTON ASSY (EU I )	1
E04-3	179141160000	PISTON PIN	1
E04-4	170021160000	PISTON RING (EU I )	2
E04-5	170092080000	CIRCLIP	2
E04-6	170031160000	NEEDLE BEARING	1
E04-7	B11810305013	WOODRUFF KEY	1
E04-8	B12016020404	BEARING	2
E04-9	170012080000	OIL SEAL	1
E04-10	150082080000	OIL SEAL ASSY	1
E04-11	17008208001X	COLLAR	1
E04-12	170022080000	CIRCLIP	1

## E05 OIL PUMP ASSY



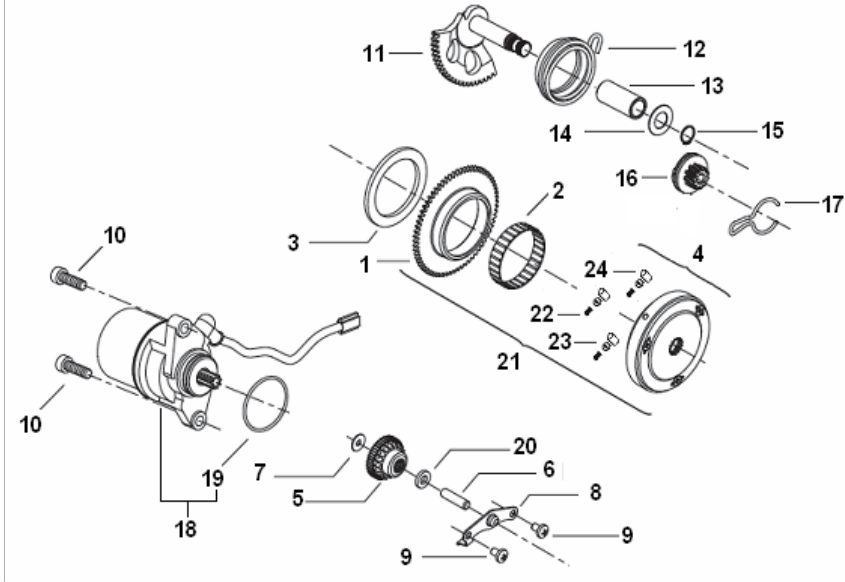
NO.	Part No	EN DESCRIPTION	QTY
E05-1	269011070011	OIL PUMP	1
E05-2	B02040501463	SCREW	2
E05-3	170112080000	PUMP DRIVE GEAR	1
E05-4	B091403014B0	PIN	1
E05-5	170122080000	CIRCLIP	2
E05-6	260011070000	HOSE,OIL INLET	1
E05-7	260232080001	HOSE CLIP	2
E05-8	260021070000	HOSE,OIL OUTLET	1
E05-9	260242080001	HOSE CLIP	2

## E06 AIR COOLING SYSTEM



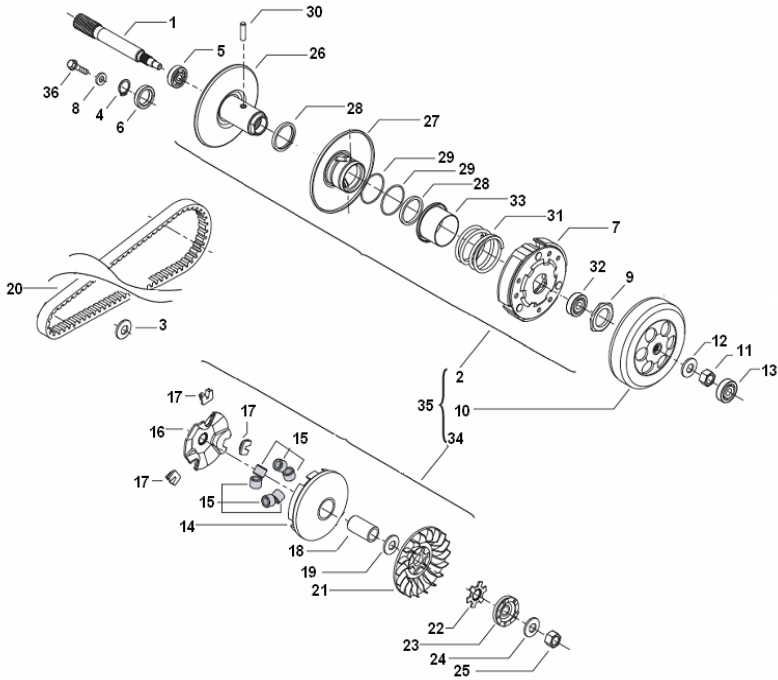
NO.	Part No	EN DESCRIPTION	QTY
E06-1	270011160000	COWLING,cylinder	1
E06-2	150022080000	GROMMET	2
E06-3	270011070080	COELING,fan	1
E06-4	270122080020	BEADING (RUBBER)	1
E06-5	270011070100	COVER ASSY (FAN)	1
E06-6	27903116002Z	FAN ASSY	1
E06-7	270022080000	RUBBER RING 70X3.1	1
E06-8	B01070601663	SCREW M6X16	3
E06-9	B07000000601	SPRING WASHER $\phi 6$	3
E06-10	B07030000603	WASHER $\phi 6$	3
E06-11	270052080000	DUST COVER (RUBBER)	1
E06-12	270122080010	BEADING (RUBBER)	1
E06-13	270011070000	COLLOR	3
E06-14	270041070000	COVER	1
E06-15	B02000403524	SCREW M4X35	3

## E07 KICK STARTER ASSY



NO.	Part No	EN DESCRIPTION	QTY
E07-1	200022080000	START GEAR ASSY	1
E07-2	200012080000	NEEDLE BEARING	1
E07-3	24003208001X	THRUST WASHER	1
E07-4	249092080001	START HOLDER ASSY	1
E07-5	249022080000	DRIVEN GEAR,STARTER	1
E07-6	150092080000	IDLE GEAR SHAFT	1
E07-7	24002208001X	PLATE WASHER	1
E07-8	24001208003X	IDLE GEAR HOLDER	1
E07-9	B01070601063	SCREW	2
E07-10	B01070602064	SCREW	2
E07-11	259012080002	SHAFT, kick starter	1
E07-12	250042080000	SPRING	1
E07-13	250022080002	BUSH	1
E07-14	250052080000	WASHER ,kick starter	1
E07-15	B080100015A0	CIRCLIP	1
E07-16	250062080000	KICK PINION ASSY	1
E07-17	250032080000	CLIP	1
E07-18	249012080010	STARTING MOTOR ASSY	1
E07-19	B190102150A0	O-RING	1
E07-20	24004208001X	PLATE WASHER	1
E07-21	200032080001	START CLUTCH ASSY	1
E07-22	200082080001	SPRING	3
E07-23	200072080001	CAP	3
E07-24	200062080001	ROLLER	3

## E08 CLUTCH ASSY

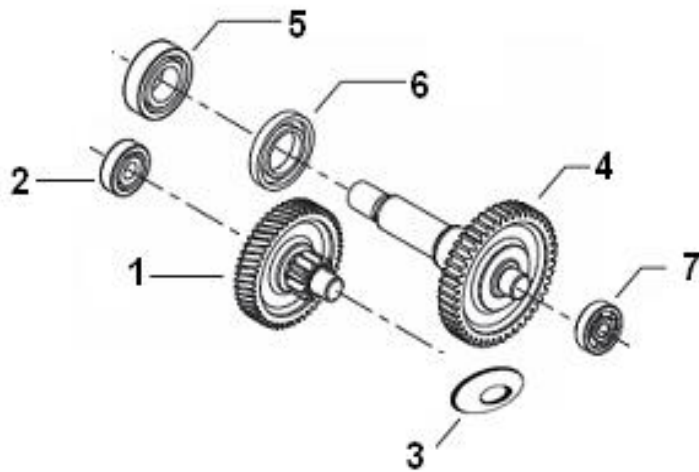


NO.	Part No	EN DESCRIPTION	QTY
E08-1		PRIMARY DRIVE SHAFT old	1
E08-1	229041070000	PRIMARY DRIVE SHAFT new	1
E08-2	200071040010	DRIVEN PULLY and CLUTCH ASSY	1
<b>F08-3</b>	<b>220121130030</b>	<b>WASHER 11.2mm</b>	<b>1</b>
E08-4	B08010001701	CIRCLIP	1
E08-5	B12016020303	ROLING BEARING 6203	1
E08-6	200021070000	OIL SEAL	1
E08-7	200091040000	CLUTCH ASSY,shoe	3
E08-8	200142080000	PLATE WASHER	1
E08-9	200282080000	NUT	1
E08-10	200262080000	CLUTCH DRUM	1
E08-11	20029208002X	NUT	1
E08-12	200302080000	RING $\phi 6.7 \times 3$	1
E08-12	200492080000	RING $\phi 5.5 \times 1.5$	2
E08-13	120012080000	BEARING 638Z	1
<b>E08-14</b>		<b>FACE,movable drive</b>	<b>1</b>
E08-15	220141070000	ROLLER(6.3g)	6
E08-15		ROLLER(5g)	6
E08-16	200352080000	PLATE,movable drive	1
E08-17	200342080000	DAMPER	3
E08-18	200362080000	COLLER	1
E08-19	200021160000	WASHER	1
E08-20	229011160020	V BELT, DRIVE	1
<b>E08-21</b>	<b>200372080000</b>	<b>FACE, FIXED DRIVE</b>	<b>1</b>
E08-22	200382080000	PLATE, WOODRUFF KEY	1
E08-23	20031208002X	STARTING DISC	1
E08-24	17007208001X	WASHER, SPRING	1
E08-25	B04031212513	NUT	1
E08-26	200152080000	FACE, FIXED DRIVEN	1
E08-27	200162080000	FACE, MOVABLE DRIVEN	1



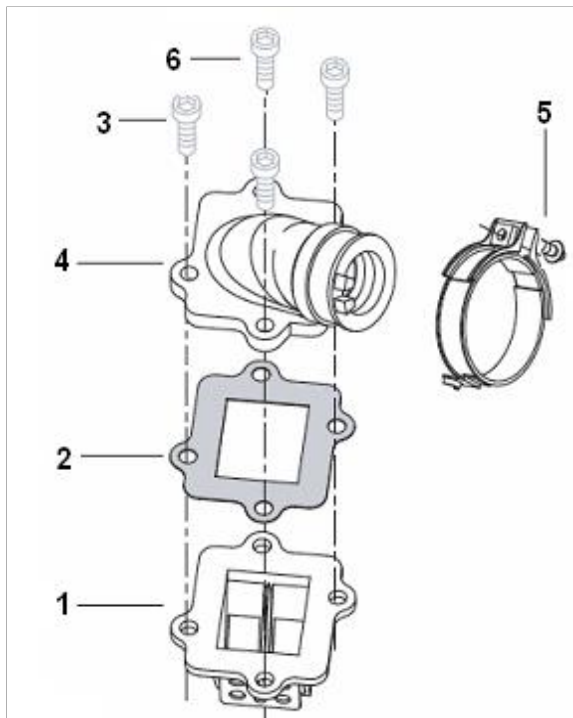
E08-28	200392080000	OIL SEAL	1
E08-29	200202080000	O-RING	2
E08-30	200192080000	PIN, GUIDE	2
E08-31	200071040000	SPRING	1
E08-32	200222080000	ROLLER BEARING	1
E08-33	200182080000	SEAT, SPRING	1
E08-34	209001040040	DRIVE ASSY(for 5g roller)	1
E08-35		SHIFT ASSY(5g)	1
E08-36	B01090801263	PAN HEAD SCREW	1

## E09 TRANSMISSION SYSTEM ASSY



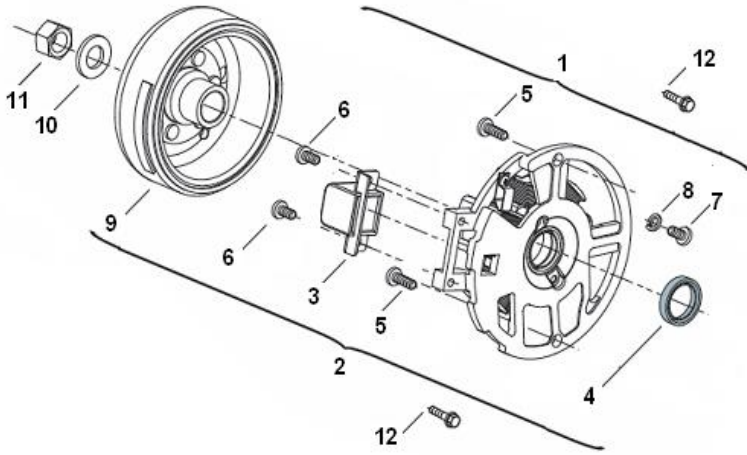
NO.	Part No	EN DESCRIPTION	QTY
E09-1	229061070000	SHAFT, IDLE	1
E09-2	B12016020001	BEARING 6200	1
E09-3	210303070000	WASHER, thrust	1
E09-4	229091070000	SHAFT, REAR BOX	1
E09-5	B12016000400	NEEDLE BEARING	1
E09-6	240031070000	OIL SEAL	1
E09-7	B12016020204	NEEDLE BEARING	1

## E10 REED VALVE ASSY



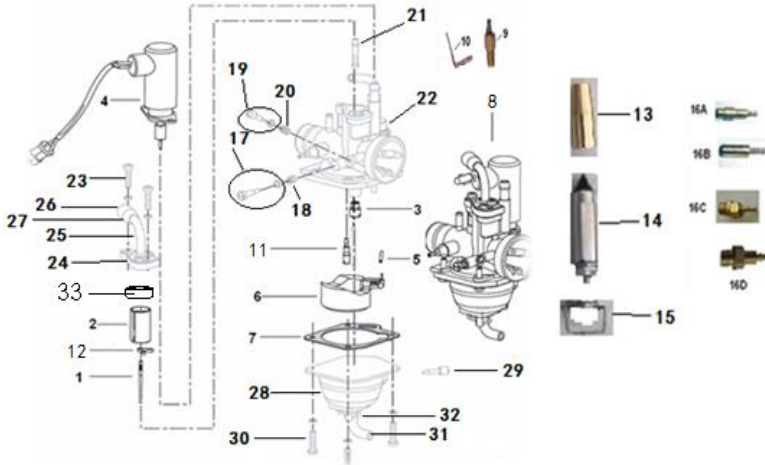
NO.	Part No	EN DESCRIPTION	QTY
E10-1	119002080020	REED VALVE ASSY	1
E10-2	110032080030	VALVE SEAT GASKET	1
E10-3	B01070602064	SCREW	3
E10-4	110012080000	PIPE, intake	1
E10-5	110022080010	CLIP	1
E10-6	15002116001X	SCREW	1

## E11 MAGNETO ASSY



NO.	Part No	EN DESCRIPTION	QTY
E11-1	299031070001	COIL ASSY	1
E11-2	299011070001	MAGNETO ASSY	1
E11-3	290032080000	PULSE TRIGGER	1
E11-4	29012080000	OIL SEAT	1
E11-5	B02000502522	SCREW	2
E11-6	330221040000	SCREW	2
E11-7	330211040000	SCREW	1
E11-8	B07000000400	SPRING WASHER	1
E11-9	299022080014	FLY WHEEL ASSY	1
E11-10	B07030001203	WASHER	1
E11-11	27002305001X	NUT	1
E11-12	B01070601663	NUT	2

## E12 CARBURETOR ASSY



NO.	Part No	EN DESCRIPTION	QTY
E12-1	3324205E0000	NEEDLE, jet,QJ	1
E12-1	3324205E0010	NEEDLE, jet, MIKUNI	1
E12-1	3324202A0000	NEEDLE, jet,QJ	1
E12-2	3322105E0000	VALVE,PISTON	1
E12-2	3322102A0000	VALVE,PISTON	1
E12-3	3311505E0160	JET, main 50#	1
F12-3		JET, main 47.5#, MIKUNI	1
E12-3	3311502A0002	JET, main 45#,QJ	1
E12-3	3311505E0600	JET, main 62.5,QJ	1
E12-3	3311505E0380	JET, main 57.5,QJ	1
E12-4	3360105E0000	ENRICH VALVE	1
E12-5	3340605E0000	PIN, float,QJ	1
F12-3	3340605E0010	PIN, float, MIKUNI	1
E12-6	3340105E0000	FLOAT	1
E12-7	3351405E0000	GASKET	1
E12-8	3390005E0021	CARBURETOR ASSY (PZ19JB,MJ65,NJ22.5, without heater)	1
E12-9	330021070000	HEATING ASSY	1
E12-10	330161040000	L WASHER	1
E12-11	3312405E0001	JET, idle	1
E12-11		JET, idle (MIKUNI 22.5#)	1
E12-11	3312402A0000	JET, idle 20#	1
E12-12	3327405E0000	CLIPMM,V shape	1
E12-13	3342105E0000	seat,pin valve	1
E12-14	3342005E0000	pin valve	1
E12-15	3342505E0000	hook,pin valve	1
E12-16A	330031070000	OIL PIPE ASSY (MIKUNI)	1
E12-16D	3315102E0010	OIL PIPE ASSY QJ (pin valve structure, with screw thread)	1
E12-17	3322605E0010	SCREW	1
E12-18	3322705E0010	SPRING	1
E12-19	3314505E0010	SCREW	1
E12-20	3314602E0000	SPRING	1
E12-20	3314605E0010	SPRING	1

E12-21	3311002A0000	PIPE	1
E12-21	3311005E001X	PIPE	1
E12-22	3310102A004X	UPPER HOUSING, CARBURETOR	1
E12-22	3310105E004X	UPPER HOUSING, CARBURETOR	1
E12-23	B13080400823	SCREW M4X12	2
E12-24	3326805E004X	TOP	1
E12-25	3325505E0010	ELBOW PIPE,CABLE ACCELERATOR	1
E12-26	3326302E0000	GUIDE SLEEVE,CABLE ACCELERATOR	1
E12-27	3326102E0000	NUT,CABLE ACCELERATOR	1
E12-27	3326105E0000	NUT,CABLE ACCELERATOR	1
E12-28	3350105E004X	BOTTOM HOUSING,CARBURETOR	1
E12-29	3350205E0100	SCREW,DUMPING OIL	1
E12-30	B13080401223	SCREW M4X14	4
E12-31	3318801K0000	OVERFLOW PIPE	1
E12-32	903020002000	CLIP,OVERFLOW PIPE	1
E12-33	3322105E0100	VALVE,PISTON RING	1