




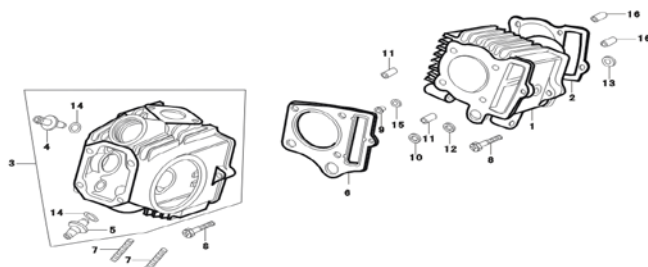


7 Optional Accessories

| 7.1 | | Remote control alarm | |
|------------|-------------------|------------------------------|---|
| 序号 S.N. | 零部件代号 Part No. | 英文名称 English part name | 图片 Photo |
| ① | 5.4.04.0022 | Remote control |  |
| ② | 5.4.04.0010 | Horn for remote control |  |
| 7.2 | | Charging kit | |
| 序号 S.N. | 零部件代号 Part No. | 英文名称 English part name | 图片 Photo |
| ① | 5.3.02.0160 | charging mouth |  |
| ② | 5.3.02.0181 | rubber cover for charging |  |
| ③ | 5.3.02.0220 | charger |  |

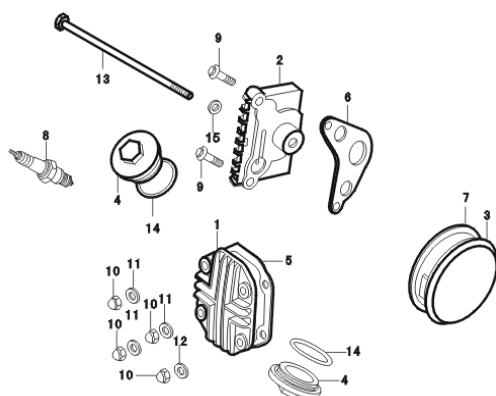
70CC AUTOMATIC ENGINE PARTS(100000-D1AQ-00202)

E-1气缸头/气缸体(CYLINDER HEAD/CYLINDER BODY)



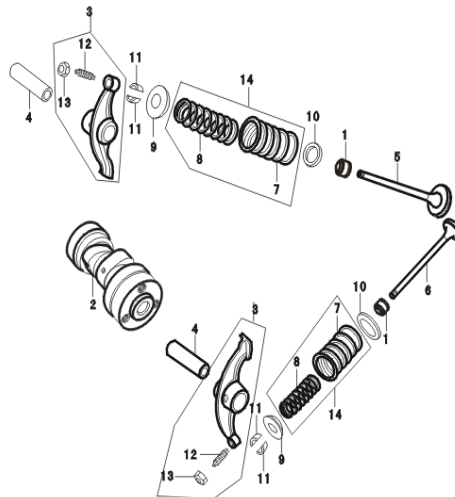
| 序号 | S.N | 零部件代号 .NO | Part | 英文名称 English Name | 数量 | Quantity |
|----|-----|----------------|------|----------------------|----|----------|
| 1 | | 120020013-0001 | | CYLINDER ASSY. | 1 | |
| 2 | | 120050005-0001 | | GASKET,CYLINDER | 1 | |
| 3 | | 120080060-0001 | | HEAD ASSY., CYLINDER | 1 | |
| 4 | | | | PIPE.IN VALVE | 1 | |
| 5 | | | | PIPE.EX VALVE | 1 | |
| 6 | | 120150008-0001 | | GASKET,CYLINDER HEAD | 1 | |
| 7 | | 380180031-0001 | | STUD | 2 | |
| 8 | | 380040003-0001 | | BOLT | 2 | |
| 9 | | 380820090-0001 | | COLLAR | 1 | |
| 10 | | 380450056-0001 | | WASHER | 1 | |
| 11 | | 380600002-0001 | | PIN | 2 | |
| 12 | | 380840045-0001 | | O-RING | 1 | |
| 13 | | 380840046-0001 | | RECTANGULAR RING | 1 | |
| 14 | | | | O-RING | 2 | |
| 15 | | 380840047-0001 | | RECTANGULAR RING | 1 | |
| 16 | | 380600012-0001 | | CYLINDER ASSY. | 2 | |

E-2 气缸头盖 (COVER,CYLINDER HEAD)



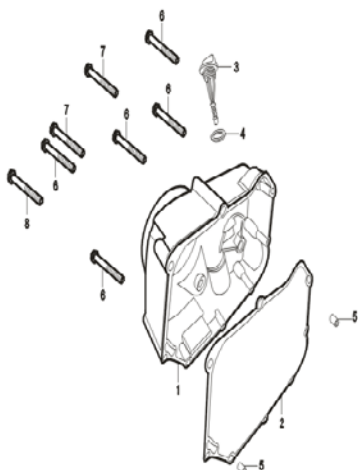
| 序号 | S.N | 零部件代号 .NO | Part | 英文名称 English Name | 数量 | Quantity |
|----|-----|----------------|------|--------------------------------------|----|----------|
| 1 | | 120230009-0001 | | COVER,CYLINDER HEAD | 1 | |
| 2 | | 120350002-0001 | | COVER,R.CYLINDER HEAD SIDE | 1 | |
| 3 | | 120300002-0002 | | COVER,L.CYLINDER HEAD SIDE | 1 | |
| 4 | | 120280003-0001 | | VALVE CAP | 2 | |
| 5 | | 120250001-0001 | | GASKET,CYLINDER HEAD COVER | 1 | |
| 6 | | 120370001-0001 | | GASKET,R.CYLINDER HEAD SIDECOVER | 1 | |
| 7 | | 120310001-0001 | | GASKET,L.CYLINDER HEAD SIDE COVER | 1 | |
| 8 | | 270960004-0001 | | SPARK PLUG | 1 | |
| 9 | | 380140015-0006 | | BOLT | 2 | |
| 10 | | 380330011-0004 | | NUT , CYLINDER HEAD COVER | 4 | |
| 11 | | 380540017-0001 | | GASKET | 3 | |
| 12 | | 380450053-0001 | | GASKET | 1 | |
| 13 | | 380140066-0005 | | BOLT M6×110 | 1 | |
| 14 | | 380840132-0001 | | O-RING | 2 | |
| 15 | | 380840064-0001 | | GASKET | 1 | |

E-3 气门组件 (CAMSHAFT/VALVE)



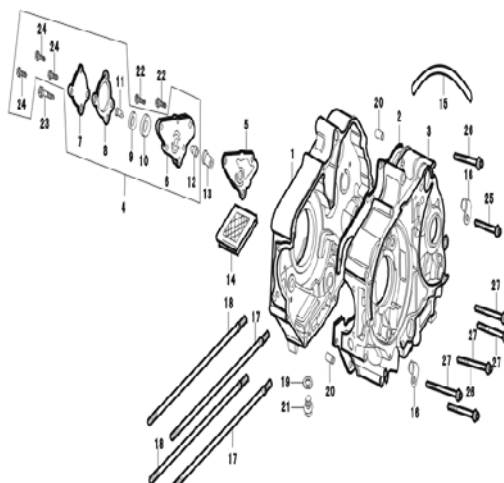
| 序号 | S.N | 零部件代号 .NO | Part | 英文名称 English Name | 数量 Quantity |
|----|-----|----------------|------|------------------------------|----------------|
| 1 | | 140400002-0001 | | OIL SEAL,VALVE | 2 |
| 2 | | 140020002-0001 | | CAMSHAFT COMP | 1 |
| 3 | | 140450003-0001 | | ARM,VALVE ROCKER | 2 |
| 4 | | 140510002-0001 | | SHAFT , VALVE ROCKER ARM | 2 |
| 5 | | 140300003-0001 | | VALVE,IN. | 1 |
| 6 | | 140310001-0001 | | VALVE,EX. | 1 |
| 7 | | 140350002-0001 | | SPRING,VALVE OUTER | 2 |
| 8 | | 140340002-0001 | | SPRING,VALVE INNER | 2 |
| 9 | | 140380002-0001 | | RETAINER, VALVE INNER SPRING | 2 |
| 10 | | 140370002-0001 | | SEAT,VALVE OUTER SPRING | 2 |
| 11 | | 140390002-0001 | | COTTER,VALVE | 4 |
| 12 | | 140480002-0001 | | SCREW,TAPPET ADJUSTING | 2 |
| 13 | | 140490003-0001 | | NUT,TAPPET ADJUSTING | 2 |
| 14 | | 140330002-0001 | | SPRING VALVE , ASSY | 2 |

E-4 右曲轴箱盖 (RIGHT CRANKCASE COVER)



| 序号 | S.N | 零部件代号 .NO | Part | 英文名称 English Name | 数量 Quantity |
|----|-----|----------------|------|--------------------------|----------------|
| 1 | | 110600221-0001 | | COVER COMP.,R.CRANKCASE | 1 |
| 2 | | 110620005-0001 | | GASKET,R.CRANKCASE COVER | 2 |
| 3 | | 110700007-0004 | | GAUGE,OIL LEVEL | 1 |
| 4 | | 380840042-0001 | | O-RING | 1 |
| 5 | | 380600012-0001 | | PIN | 2 |
| 6 | | 380140019-0006 | | SCREW | 5 |
| 7 | | 380140057-0005 | | SCREW | 2 |
| 8 | | 380140030-0005 | | SCREW | 1 |

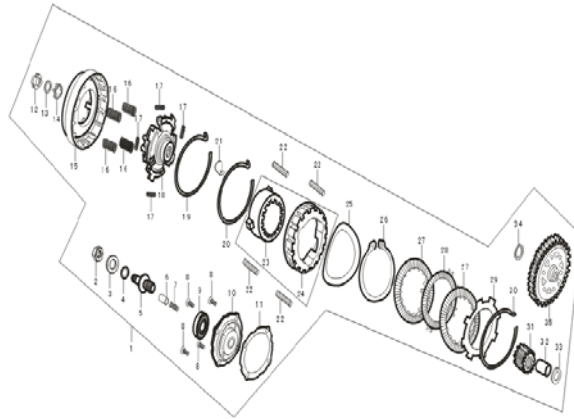
E-5 曲轴箱体/机油泵 (CRANKCASE/OIL PUMP)



| 序号 | S.N | 零部件代号 .NO | Part | 英文名称 English Name | 数量 Quantity |
|----|-----|----------------|------|--------------------------------|----------------|
| 1 | | 110080041-0001 | | CRANKCASE COMP.,R. | 1 |
| 2 | | 110100054-0001 | | GASKET,CRANKCASE | 1 |
| 3 | | 110030062-0001 | | CRANKCASE COMP.,L. | 1 |
| 4 | | 150010006-0001 | | OIL PUMP ASSY. | 1 |
| 5 | | 150140001-0001 | | GASKET,OIL PUMP | 1 |
| 6 | | | | BODY,OIL PUMP | 1 |
| 7 | | | | COVER,OIL PUMP | 1 |
| 8 | | | | GASKET,OIL PUMP COVER | 1 |
| 9 | | | | ROTOR,OIL PUMP INNER | 1 |
| 10 | | | | ROTOR,OIL PUMP OUTER | 1 |
| 11 | | | | SPINDLE,OIL PUMP | 1 |
| 12 | | | | SLEEVE,OIL PUMP | 1 |
| 13 | | 380820093-0001 | | BUSH,OIL PUMP SPROCKET SPINDLE | 1 |
| 14 | | 150290002-0001 | | SCREEN,OIL FILTER | 1 |
| 15 | | 380740022-0001 | | TUBE, BREATHER | 1 |
| 16 | | 380950016-0001 | | CLAMP,BREATHER TUBE | 2 |
| 17 | | 110240003-0001 | | BOLT A,CYLINDER STUD | 2 |
| 18 | | 110250003-0001 | | BOLT B,CYLINDER STUD | 2 |
| 19 | | 380450018-0003 | | WASHER,DRAIN PLUG | 1 |
| 20 | | 380600001-0001 | | PIN,KNOCK | 2 |

| 序号 S.N | 零部件代号 Part .NO | 英文名称 English Name | 数量 Quantity |
|--------|-------------------|----------------------|----------------|
| 21 | 110260003-0002 | BOLT,DRAIN PLUG | 1 |
| 22 | 380200015-0001 | SCREW | 2 |
| 23 | 380200021-0003 | SCREW | 1 |
| 24 | | SCREW | 3 |
| 25 | 380140020-0003 | BOLT,FLANGE | 1 |
| 26 | 380140032-0005 | BOLT,FLANGE | 2 |
| 27 | 380140057-0005 | BOLT,FLANGE | 3 |

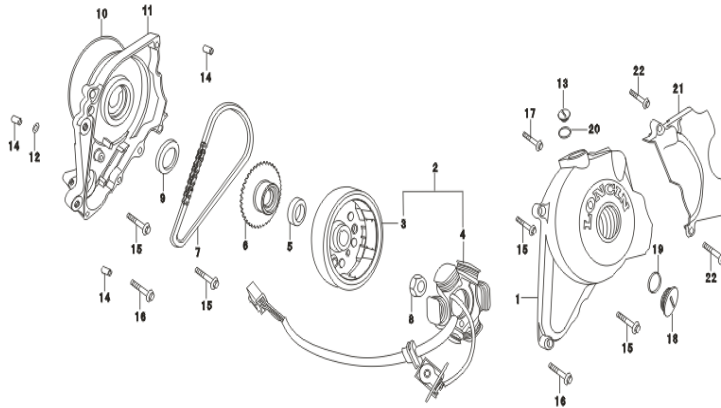
E-6 离合器 (CLUTCH)



| 序号 | S.N | 零部件代号 .NO | Part | 英文名称 English Name | 数量 | Quantity |
|----|-----|----------------|------|--------------------------|----|----------|
| 1 | | 500280048-0001 | | CLUTCH ASSY | 1 | |
| 2 | | 380340005-0004 | | NUT | 1 | |
| 3 | | 380450153-0001 | | GASKET | 1 | |
| 4 | | 380840064-0001 | | O-RING | 1 | |
| 5 | | 190890005-0001 | | VALVE , ADJUSTING | 1 | |
| 6 | | 150520002-0001 | | PIPE,OIL IN | 1 | |
| 7 | | 381150032-0001 | | SPRING,OIL IN | 1 | |
| 8 | | 380220044-0002 | | BOLT | 4 | |
| 9 | | 380630024-0001 | | BEARING | 1 | |
| 10 | | 193980002-0001 | | END COVER,CLUTCH | 1 | |
| 11 | | 190310002-0001 | | GASKET,CLUTCH END COVER | 1 | |
| 12 | | 380810006-0001 | | NUT | 1 | |
| 13 | | 380480002-0001 | | WASHER,DISC | 1 | |
| 14 | | 194090003-0001 | | WASHER | 1 | |
| 15 | | 190330006-0001 | | OUTER COVER ASSY.,CLUTCH | 1 | |
| 16 | | 190550004-0001 | | SPRING , CLUTCH | 4 | |
| 17 | | 381150027-0001 | | DAMPER SPRING,CLUTCH | 4 | |
| 18 | | 190580001-0001 | | DRIVING PLATE | 1 | |
| 19 | | 190600001-0001 | | CIRCLIP | 1 | |
| 20 | | 190610001-0002 | | CIRCLIP | 1 | |

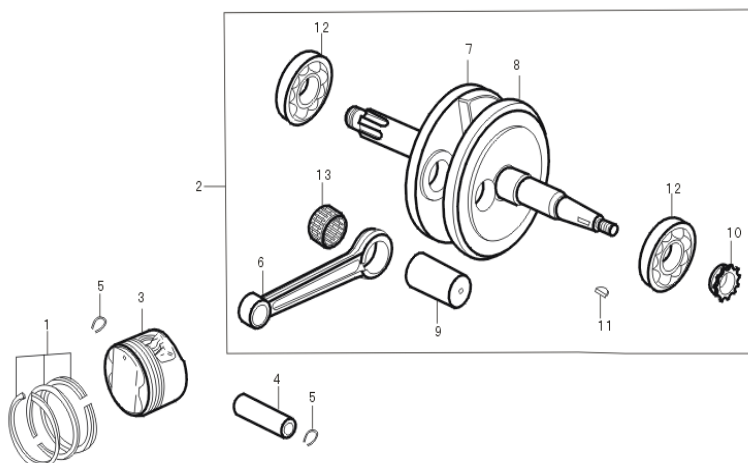
| 序号 S.N | 零部件代号 .NO | Part | 英文名称 English Name | 数量 Quantity |
|--------|----------------|------|--------------------------|----------------|
| 21 | 190590001-0001 | | BLOCK | 1 |
| 22 | 381150074-0001 | | SPRING | 4 |
| 23 | 190630001-0001 | | HUB ASSY , CLUTCH | 1 |
| 24 | 190640001-0001 | | BOSS , CLUTCH | 1 |
| 25 | 380510009-0001 | | WASHER | 1 |
| 26 | 380550058-0001 | | SPRING , COLLAR | 1 |
| 27 | 190460003-0001 | | DISK , CLUTCH FRICTION | 2 |
| 28 | 190430003-0001 | | PLATE , CLUTCH LOWER | 1 |
| 29 | 190670002-0001 | | PLATE , CLUTCH UPPER | 2 |
| 30 | 380550017-0001 | | CIRCLIP | 1 |
| 31 | 190030019-0001 | | GEAR , PRIMARY DRIVE | 1 |
| 32 | 380820077-0001 | | BUSH | 1 |
| 33 | 380820071-0001 | | WASHER | 1 |
| 34 | 380570004-0001 | | CIRCLIP | 1 |
| 35 | 190360016-0002 | | PRIMARY DRIVEN GEAR COMP | 1 |

E-7 磁电机/左曲轴箱盖 (GENERATOR/LEFT CRANKCASE COVER)



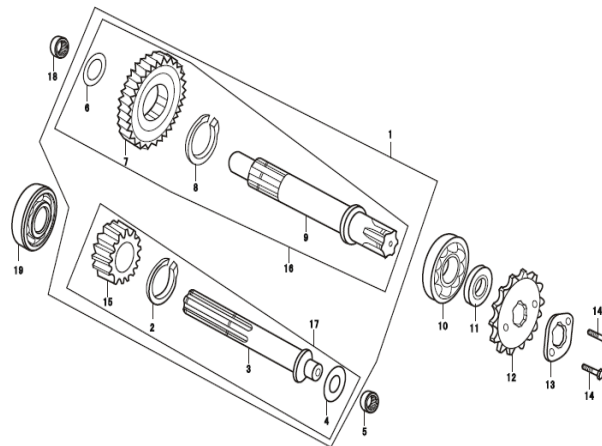
| 序号 S.N | 零部件代号 .NO | Part | 英文名称 English Name | 数量 Quantity |
|--------|----------------|------------------------|----------------------|----------------|
| 1 | 110400042-0001 | COVER,L.CRANKCASE | | 1 |
| 2 | 270010024-0009 | GENERATOR | | 1 |
| 3 | 270020034-0001 | FLYWHEEL COMP | | 1 |
| 4 | 270100039-0017 | STATOR COMP. | | 1 |
| 5 | 380650056-0001 | OIL SEAL | | 1 |
| 6 | 193170006-0001 | SPROCKET COMP,STARTING | | 1 |
| 7 | 193270001-0001 | CHAIN,STARTING | | 1 |
| 8 | 380370011-0001 | NUT | | 1 |
| 9 | 380650054-0001 | OIL SEAL | | 1 |
| 10 | 380840048-0001 | O-RING | | 1 |
| 11 | 110310002-0003 | DISK COVER | | 1 |
| 12 | 380840064-0001 | O-RING | | 1 |
| 13 | 110440001-0007 | SMALL CAP EYEHOLE | | 1 |
| 14 | 380600012-0001 | PIN,KNOCK | | 3 |
| 15 | 380140017-0005 | BOLT | | 4 |
| 16 | 380140020-0003 | BOLT | | 1 |
| 17 | 380140169-0002 | BOLT | | 2 |
| 18 | 110430004-0006 | BIG CAP EYEHOLE | | 1 |
| 19 | 380840005-0001 | O-RING | | 1 |
| 20 | 380840026-0001 | O-RING | | 1 |
| 21 | 110520103-0001 | BACK.L.COVER | | 1 |
| 22 | 380140021-0006 | BOLT | | 2 |

E-8 活塞/曲轴 (PISTON/CRANKSHAFT COMP)



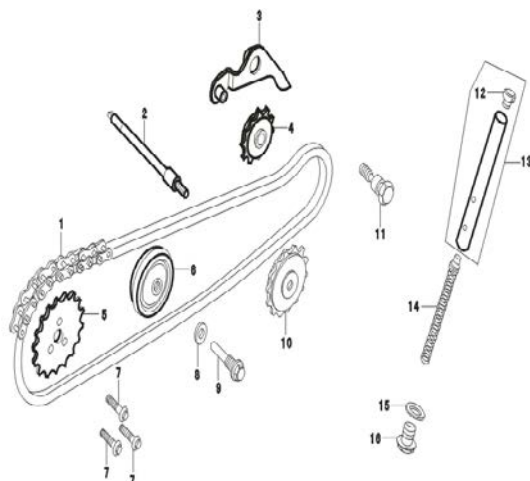
| 序号 | S.N | 零部件代号 .NO | Part | 英文名称 English Name | 数量 | Quantity |
|----|-----|----------------|------|----------------------|----|----------|
| 1 | | 130070010-0001 | | PISTON RING SET | 1 | |
| 2 | | 130140006-0001 | | CRANKSHAFT COMP. | 1 | |
| 3 | | 130030007-0001 | | PISTON | 1 | |
| 4 | | 130060003-0001 | | PIN,PISTON | 1 | |
| 5 | | 380560006-0001 | | CLIP,PISTON PIN | 2 | |
| 6 | | 130150006-0001 | | ROD,CONNECTING | 1 | |
| 7 | | 130260006-0001 | | CRANKSHAFT COMP.,R. | 1 | |
| 8 | | 130210006-0001 | | CRANKSHAFT COMP.,L. | 1 | |
| 9 | | 130350010-0001 | | PIN,CRANK | 1 | |
| 10 | | 130230002-0001 | | SPROCKET,TIMING | 1 | |
| 11 | | 380620002-0001 | | KEY,WOODRUFF | 1 | |
| 12 | | | | BEARING 6304 | 2 | |
| 13 | | | | NEEDLE BEARING | 1 | |

E-9 主軸\副軸(MAINSHAFT\COUNTERSHAFT ASSY)



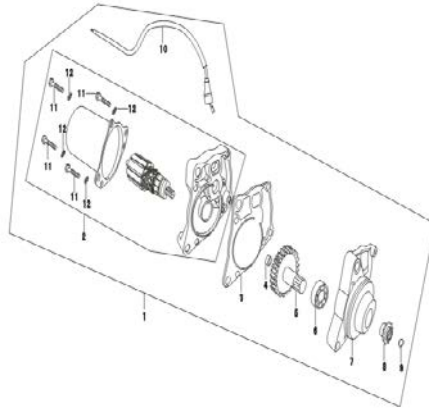
| 序号 | S.N | 零部件代号 .NO | Part | 英文名称 English Name | 数量 Quantity |
|----|-----|----------------|------|-------------------------------|----------------|
| 1 | | 500290026-0001 | | TRANSMISSION ASSY | 1 |
| 2 | | 380550018-0001 | | CIRCLIP | 1 |
| 3 | | 191260030-0001 | | MAINSHAFT | 1 |
| 4 | | 380540018-0001 | | GASKET | 1 |
| 5 | | 380630020-0001 | | BEARING | 1 |
| 6 | | 380540018-0001 | | GASKET | 1 |
| 7 | | 191420026-0001 | | DRIVING GEAR,1ST COUNTERSHAFT | 1 |
| 8 | | 380550018-0001 | | CIRCLIP | 1 |
| 9 | | 191400046-0001 | | COUNTERSHAFT | 1 |
| 10 | | 380630002-0001 | | BEARING | 1 |
| 11 | | 380650061-0001 | | OIL SEAL | 1 |
| 12 | | 191600013-0001 | | SPROCKET,DRIVE | 1 |
| 13 | | 191610002-0001 | | PLATE,FIXING | 1 |
| 14 | | 380070004-0001 | | BOLT | 2 |
| 15 | | 191270003-0001 | | DRIVING GEAR,1ST MAINSHAFT | 1 |
| 16 | | 191390043-0001 | | COUNTERSHAFT ASSY | 1 |
| 17 | | 191250014-0001 | | MAINSHAFT ASSY | 1 |
| 18 | | 380630019-0001 | | BEARING | 1 |
| 19 | | 380630002-0001 | | BEARING | 1 |

E-10 链条张紧器 (CAM CHAIN/TENSIONER)



| 序号 | S.N | 零部件代号 .NO | Part | 英文名称 English Name | 数量 Quantity |
|----|-----|----------------|------|---------------------------------------|----------------|
| 1 | | 140610002-0001 | | CHAIN,CAM | 1 |
| 2 | | 150130001-0001 | | SPINDLE,CAM CHAIN GUIDE SPROCKET | 1 |
| 3 | | 141160001-0001 | | ARM COMP.,CAM CHAIN TENSIONER | 1 |
| 4 | | 141210001-0001 | | ROLLER,CAM CHAIN TENSIONER | 1 |
| 5 | | 140580002-0001 | | SPROCKET,CAM | 1 |
| 6 | | 141240001-0001 | | ROLLER COMP.,CAM CHAIN GUIDE | 1 |
| 7 | | 140590001-0002 | | BOLT,KNOCK | 3 |
| 8 | | 380450056-0001 | | WASHER,8MM | 1 |
| 9 | | 141270001-0005 | | PIN, CAM CHAIN GUIDE ROLLER | 1 |
| 10 | | 150150001-0001 | | SPROCKET,OIL PUMP | 1 |
| 11 | | 141200001-0001 | | PIVOT,CAM CHAIN TENSIONER | 1 |
| 12 | | | | HEAD,CAM CHAIN TENSIONER PUSH ROD | 1 |
| 13 | | 141080001-0001 | | ROD COMP.,CAM CHAIN TENSIONER PUSH | 1 |
| 14 | | 381150030-0001 | | SPRING,CAM CHAIN TENSIONER | 1 |
| 15 | | 380450054-0001 | | WASHER,SEALING | 1 |
| 16 | | 110260004-0004 | | BOLT,SEALING | 1 |

E-11 起动装置 (KICK STARTER SPINDLE)



| 序号 | S.N | 零部件代号 .NO | Part | 英文名称 English Name | 数量 Quantity |
|----|-----|----------------|------|------------------------|----------------|
| 1 | | 270350005-0009 | | MOTOR ASSY.,STARTER | 1 |
| 2 | | | | MOTOR, STARTER | 1 |
| 3 | | | | CUSHION | 1 |
| 4 | | | | GASKET | 1 |
| 5 | | | | GEAR | 1 |
| 6 | | | | BEARING | 1 |
| 7 | | | | END CAP | 1 |
| 8 | | | | DRIVING CHAIN WHEEL | 1 |
| 9 | | | | CIRCLIP | 1 |
| 10 | | 270390003-0002 | | HARNESS,STARTING MOTOR | 1 |
| 11 | | | | SCREW | 4 |
| 12 | | | | WASHER | 4 |