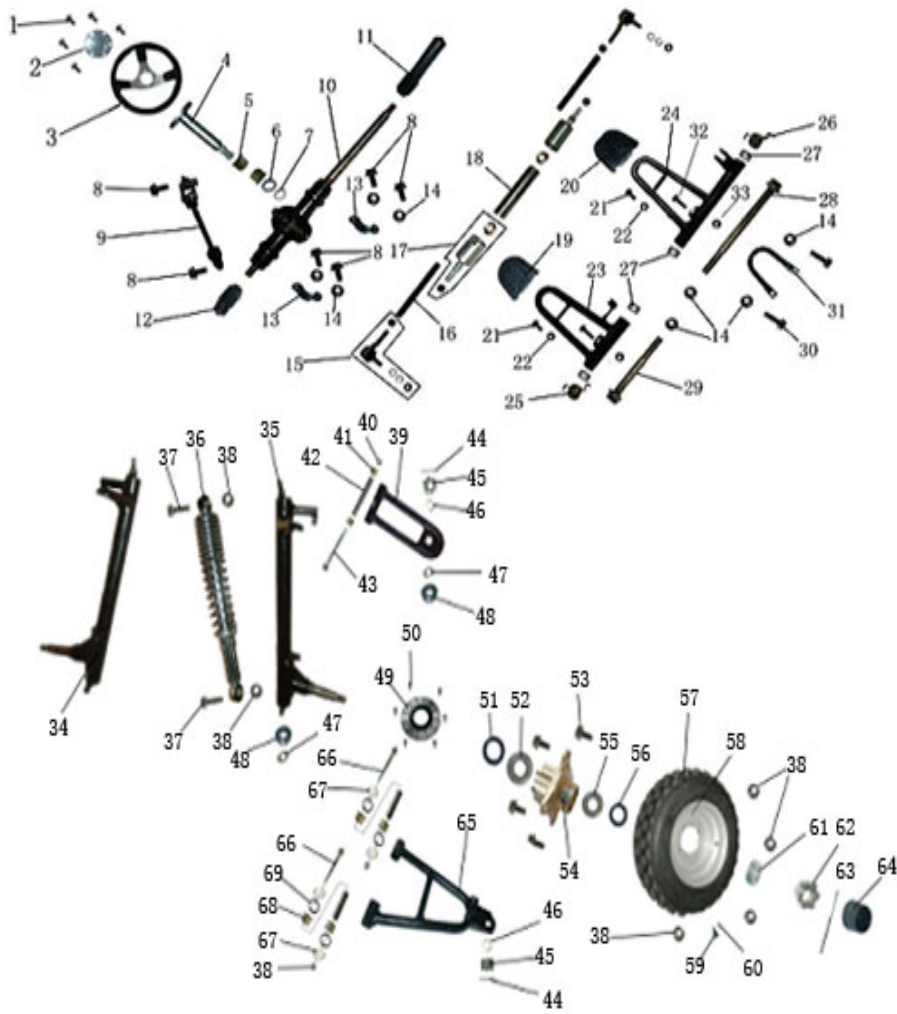


NO.	Part NO.	Description in English	数量Qty
1	KB101010000-2E	FRAME COMP.	1
2	KA00172001A	CONNECTING ROD	2
3	KA00172001A-1	WASHER , CONNEECTING ROD	4
4	KA00172001A-2	BUSH , CONNECTING ROD	8
5	KA101330030-3	HANDLE BAR, BRAKE	1
6	KA003380000	COVER LEVER	1
7	KB2S1170000	HANDLE BAR, BRAKE	1
8	KA003400000	COVER REVERSE LEVER	1
9	KB106220000-1	CABLE COMP.THROTTLE	1
10	KB106210000-1	CABLE COMP.PARKING BRAKE	1
11	KA106230000-1	CABLE COMP.REMERSE	1
12	KA106220100-1	BRACKET	2
13	GB/T882-86	PIN	2
14	GB/T91-86	PIN 1.6×16	2
15	KA003080000-1	COVER.SWITCH	1
16	KA004190000	CIGAR LIGHTER	1
17	KC004010000	HORN BUTTON	1

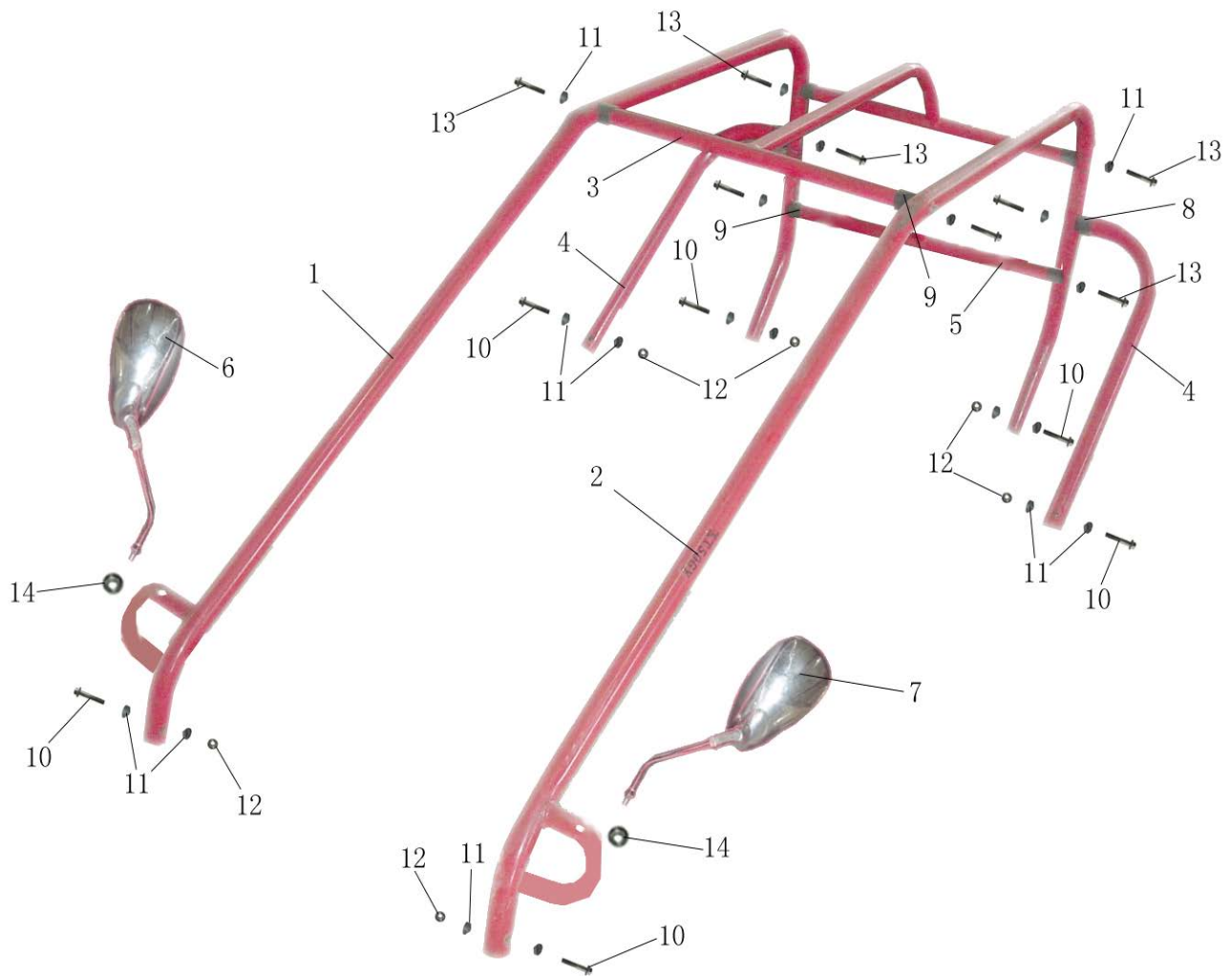
NO.	Part NO.	Description in English	数量Qty
18	KA004030000	TOPLIGHT SWITCH	1
19	KA004020000	ENGINE STOP BUTTON	1
20	KA004010000	KEY SET-IGNITION SWITCH COMP.	1
21	KA004100000	HEAD LAMP ASSY.	2
22	KA003330000	FOOT PLATE.RUBBER	4
23	KA003330100	BOLT , FOOT PLATE.RUBBER	8
24	KA003330200	WASHER , FOOT PLATE.RUBBER	8
25	KA003330300	NUT , FOOT PLATE.RUBBER	8
26	GB5787-86	BOLT, FLANGE M8×16	8
27	GB5787-86	BOLT, FLANGE M6×16	2
28	GB6187-86	NUT FLANGE M6	3
29	KA204180000	HORN	4
30	GB6187-86	NUT FLANGE M6	3
31	GB5787-86	BOLT, FLANGE M8×40	2
32	KB001650087	SPACER , Φ8×Φ15×24	2
33	KA0A4150000	SPEEDOMETER	1
34	KB004180000	WATER TEMPERATURE METER	1
35	GB6187-86	LOCK NUT FLANGE M8	2



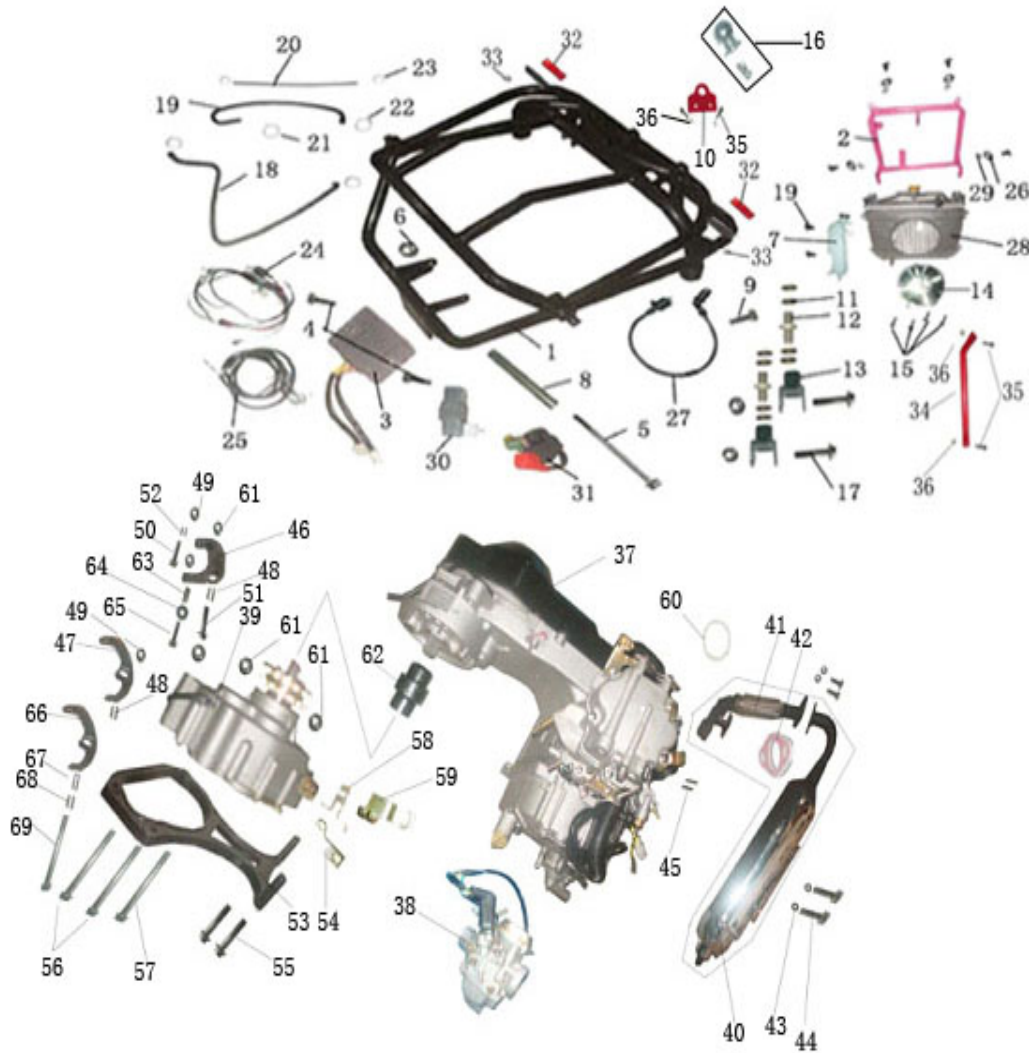
NO.	Part NO.	Description in English	數量Qty
1	GB5787-86	BOLT, FLANGE M6×12	6
2	KB003020000	COVER STEERING COMP.	1
3	KB003310000	STEERING COMP.	1
4	KA10171001A	STEERING SHAFT	1
5	KA101021000	BUSH.STEERING SHAFT	2
6	GB/T95-85	WASHER ø20	1
7	GB/T894-86	CIRCLIP ø20	1
8	GB5787-86	BOLT, FLANGE M8×25	6
9	KA006010400-2	SEEERING KNUCKLE	1
10	KA10601011A-1	STEERING GEAR	1
11	KA006010300	DUST COVER. R. BALL JOINT	1
12	KA106010300	DUST COVER. L BALL JOINT	1
13	KA00153001A	STEERING GEAR BRACKET	2
14	GB6187-86	NUT FLANGE M8	8
15	KA10601111A	ROD END	2
16	KA10601051A-1	TIE ROD	2
17	KA006010240	STEERING BALL JOINT	2
18	KA10601121A	SLEEVE	2
19	KA003320000	PUSH ROD , MASTER	1

NO.	Part NO.	Description in English	數量Qty
20	KA003320000-1	RUBBER , PAD	1
21	GB5787-86	BOLT, FLANGE M5×16	4
22	GB6187-86	NUT FLANGE M5	4
23	KA00115001A	PEDAL COMP. , THROTTLE	1
24	KA00116001A	PEDAL COMP. , BRAKE	1
25	KA001820030	SPRING , THROTTLE PEDAL	1
26	KA001810030	SPRING , BRAKE PEDAL	1
27	KA101024000	COLLAR , PEDAL	4
28	53391-BCA0-0000-0C	BOLT M8×221	1
29	53393-BCA0-0000-0C	BOLT M8×145	1
30	GB5787-86	BOLT, FLANGE M8×35	2
31	KA101350000	BRACKET , CYLINDER ASSY ,	1
32	GB5787-86	BOLT, FLANGE M8×40	2
33	GB6170-86	NUTM8	2
34	KA00603001A	KNUCKLE SUPPORT , RH	1
35	KA00602001A	KNUCKLE SUPPORT , LH	1
36	KB00631001B	ABSORBER ASSY. FR.	2
37	GB5787-86	BOLT FLANGE M10×40×1.25	4
38	GB6187-86	LOCK NUT FLANGE M10×1.25	16
39	KA10117001A-1	SUSPENSION ARM COMP , UPPER	2
40	GB6187-86	LOCK NUT FLANGE M8	2
41	KA101023000	BUSH , ARM ASSY. , UPPER	4
42	KA101010300	SPACER , CENTER	2
43	GB5787-86	BOLT M8×105	2
44	GB/T91-86	PIN 1.6×30	4
45	GB6178-86	NUT M12×1.25	4
46	GB/T93-87	SPRING WASHER 12	4
47	KA001590030	SPACER , BALL HEAD	4
48	KA003340000	RUBBER DUST COVER	4
49	KA105310100-2	DISC , FR.BRAKE	2
50	GB5783-2000	BOLT M6×12	12
51	KA005440000	DUST SEAL 47×25-7	2
52	KA005520000	BEARING 6204	2
53	GB5787-86	BOLT , TIRE M10	8
54	KA005040030	HUB , FR. WHEEL	2
55	96100-62030	BEARING 6203	2
56	91202-BCA0-0000	DUST SEAL 42×27-7.3	2
57	44710-BCA0-0000	TIRE , FR. 21" ×7" -10"	2
58	KA005010000	RIM , FR.	2
59	KA005030100	INTAKE , TIRE	2
60	KA005030200	CAP,TIRE INTAKE	2
61	KB001650087	SPACER , FR. HUB	2

NO.	Part NO.	Description in English	數量Qty
62	GB6178-86	NUT M14×1.5	2
63	GB/T91-86	PIN 2.5×30	2
64	KA003350000	CAP , FR. WHEEL	2
65	KA10118001A	SUSPENSION ARM COMP , LOWER	2
66	GB5787-86	BOLT M10×80	4
67	KA101022000	BUSH , SUSPENSION ARM LOWER	8
68	KA001670030	DUST CAP , SUSPENSION LOWER	8
69	KA003410000	RUBBER RING $\phi 20 \times \phi 2.5$	8



NO.	Part NO.	Description in English	數量Qty
1	KA101020000	RIGHT BRUSH GUARD BAR ,MAIN	1
2	KA101020100	LEFT BRUSH GUARD BAR ,MAIN	1
3	KA101080000	LEFT BRUSH GUARD BAR ,MAIN	1
4	KA101110000	BRUSH GUARD BAR ,RR	2
5	KA101070000	BRUSH GUARD BAR ,CENTER	1
6	KA204250200	RIGHT REARVIEW MIRROR	1
7	KA204250100	LEFT REARVIEW MIRROR	1
8	KA003060000	BUSH , BRUSH GUARD BAR ( ø32 )	2
9	KA003070000	BUSH , BRUSH GUARD BAR (ø25)	6
10	GB5787-86	BOLT FLANGE M8×50	6
11	50199-BCA0-0000-0C	R-WASHER	20
12	GB6187-86	LOCK NUT FLANGE (M8)	6
13	GB5787-86	BOLT FLANGE M8×55	8
14	GB6187-86	LOCK NUT FLANGE (M10)	2

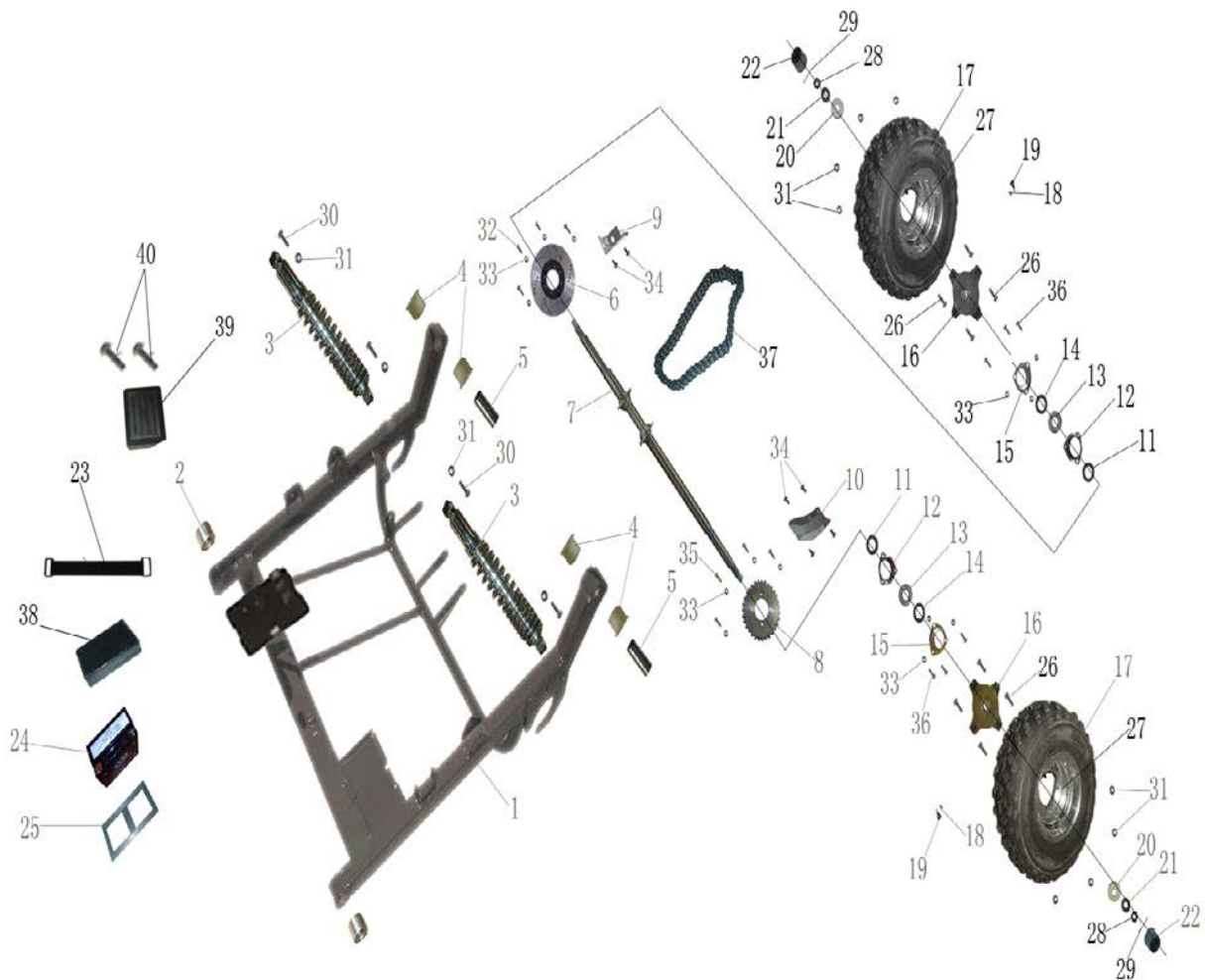


NO.	Part NO.	Description in English	数量Qty
1	KB00119001A	SWING ARM COMP., RR	1
2	KB001810030	FIXING BASE, RADIATOR	1
3	KB004040000	RECTIFIER COMP , REGULATE	1
4	GB5787-86	BOLT FLANGE M6×30	2
5	GB5787-86	SHAFT, HANGER M10×1.25×220	1
6	GB6187-86	LOCK NUT FLANGE M10×1.25	1
7	KB004210000	WATER TANK, SUBSIDIARY	1
8	KB001650080	ENGINE ASSY COLLAR , INNER	1
9	GB/T818-85	BOLT M5×20	1
10	KB2S1400000	TRAILER HATCH	1
11	GB41-86	ADJUSTIVE NUT M20×2	8
12	KB007210000	ADJUSTIVE SCREW	2
13	KB007220000	CONNECTIVE SEAT	2
14	KB004300000	FAN	1
15	GB/T818-85	BOLT FLANGE M4×16	4
16	KB2S1300000	TRAILER HATCH HOOK	1
17	GB5787-86	BOLT FLANGE M12×60×1.25	2
18	KB004250000	RUBBER TUBE, WATER EX	1
19	KB004260000	RUBBER TUBE, BACKWATER	1

NO.	Part NO.	Description in English	数量Qty
20	KB004460000	WATER TUBE OF WATER TANK, SUBSID	1
21	KB004340000	CIRCLIP 29	2
22	KB004240000	CIRCLIP 24	2
23	KB004230000	CIRCLIP 13	2
24	KB0A4120000-1	MAIN WIRE HARNESS	1
25	KB0A4130000-1	SUB-WIRING HARNESS 1	1
26	KA003370000	RUBBER RING	4
27	KB004090000	COIL COMP. IGNITION	1
28	KB004200000	RADIATOR	1
29	KB001650085	COLLAR , INNER	4
30	KB004080000	C.D.I.UNIT	1
31	KB004050000	STARTING RELAY	1
32	KA204190000	REAR REFLECTOR	2
33	GB6187-86	LOCK NUT FLANGE M6	8
34	KF9S1070000	FIXED LINK, RADITOR	1
35	GB5787-86	BOLT FLANGE M8×20	4
36	GB6187-86	LOCK NUT FLANGE M8×1.25	4
37	KB002010000	ENGINE ASSY	1
38	KB002020000	CARBURETOR ASSY	1
39	KB005610000	REVERSE ASSY.	1
40	KB0A2040000-1	MUFFLER COMP.,EX	1
41	KB0A2042000-1	MUFFLER COMP.TORESIDE	1
42	KB0A2043000	GASKET,EX.PIPE2	1
43	GB6187-86	LOCK NUT FLANGE M10×1.25	5
44	GB5787-86	BOLT FLANGE M10×1.25×50	2
45	GB6187-86	NUT , MUFFLER JOINT M8×35	2
46	KB001650038	FIXED BOARD, ENGINE	1
47	KB001650039	FIXED BOARD, REVERSE	1
48	KB001650040	RUBBER BUSH , SWING ARM	2
49	GB6187-86	LOCK NUT FLANGE M10×1.25	4
50	GB5787-86	BOLT FLANGE M10×1.25×50	2
51	GB5787-86	BOLT FLANGE M10×1.25×60	2
52	KB001650090	BUSH Φ16×Φ10.5×10	1
53	KB001650030	BRACKET,REVERSE	1
54	KB101840030	MOUNTING BOARD, GEAR SHIFTING AF	1
55	GB5787-86	BOLT FLANGE M10×1.25×40	2
56	GB5787-86	BOLT FLANGE M10×1.25×60	2
57	GB5787-86	BOLT FLANGE M10×1.25×115	1
58	KB001850030	RETURN SPRING, GEAR SHIFTING	1
59	KB101830030	ARM, GEAR SHIFTING	1
60	KB002040100	GASKET,EX.PIPE 1	1
61	GB6187-86	LOCK NUT FLANGE M10×1.25	1



NO.	Part NO.	Description in English	数量Qty
62	KB005613100	SPACER, REVERSE	1
63	KB001650096	BUSH $\Phi 12.5 \times \Phi 10.5 \times 30.5$	1
64	KB001650097	WASHER	1
65	GB5787-86	BOLT FLANGE M10 $\times$ 1.25 $\times$ 50	1
66	KB001650039	FIXED BOARD, REVERSE	1
67	KB001650098	BUSH $\Phi 16 \times \Phi 10.5 \times 10$	1
68	KB001650099	NYLON BUSH	1
69	GB5787-86	BOLT FLANGE M10 $\times$ 1.25 $\times$ 150	1



NO.	Part NO.	Description in English	數量Qty
1	KA00119001A	REAR SWING ARM COMP.	1
2	KA101010100	RUBBER BUSH , SWING ARM	2
3	KA00632001B	ABSORBER ASSY. RR.	2
4	KA101020000	BUSH , REAR SWING ARM	4
5	KA101010400	SPACER , CENTER	2
6	KA105310200-2	DISC , RR. BRAKE	1
7	KA005060030	AXLE COMP. , RR.	1
8	KA005220030	REAR SPROCKET	1
9	KA00164001A	COVER DISC , RR. BRAKE	1
10	KA00163001A	COVER REAR SPROCKET	1
11	KA005430000	DUST SEAL 50×34-7	2
12	KA005070030	HOUSING COMP , RR.AXLE BRG	2
13	KA005530000	BEARING 6206 RZ	2
14	KA005420000	DUST SEAL 42×28-7.3	2
15	KA001570030	BEARING BASE	2
16	KA005050030	HUB , RR.AXLE	2
17	KA005040000	TIRE , RR.22×11-10	2
18	KA005030200	CAP,TIRE INTAKE	2
19	KA005030100	INTAKE , TIRE	2
20	KA001580030	HOLDER , RR.WHEEL CAP	2

NO.	Part NO.	Description in English	數量Qty
21	94110-17B01-0C	FLAT WASHER( ø16.5)	2
22	KA003350000	CAP , RR.WHEEL	2
23	KA001600030	PRESSURE PLATE, BATTERY	1
24	KA004070000	BATTERY	1
25	KA003360000	CUSHION , BATTERY	1
26	44901-BCA0-0000-0C	BOLT , TIRE ( M10 )	8
27	KA005020000	RIM , REAR	2
28	GB6178-86	NUT M16×1.5	2
29	GB/T91-86	PIN3.2×32	2
30	GB5787-86	BOLT FLANGE M10×40	4
31	GB6187-86	LOCK NUT FLANGE M10	12
32	GB5787-86	BOLT FLANGE M8×20	4
33	GB6187-86	LOCK NUT FLANGE M8	14
34	GB5787-86	BOLT FLANGE M8×16	6
35	GB5787-86	BOLT FLANGE M8×35	4
36	GB5787-86	BOLT FLANGE M8×40	6
37	KA005230000	DRIVE CHAIN	2
38	KA003030000	COVER , BATTERY	1
39	KB003010000	WIRING BOX	1
40	GB818-85	BOLT FLANGE M6×20	2



NO.	Part NO.	Description in English	數量Qty
1	KB101130000	CARRIER COMP. , REAR	1
2	KB101140000	SUPPORTER , CARRIER	2
3	GB5787-86	BOLT FLANGE M8×45	2
4	KA004110000	TAIL LAMP ASSY.	1
5	KA003100000	INSULATING PAD A , TAIL LIGHT	2
6	KA003110000	INSULATING PAD B , TAIL LIGHT	2
7	KB002030000	CASE COMP.,AIR CLEANER	1
8	KB002030100	ELEMENT , AIR CLEANER	1
9	KB002030200	CALIPER1 , AIR CLEANER	1
10	KB002030300	CALIPER1 , AIR CLEANER	1
11	KA202060000	TANK , COMP. FUEL	1
12	KA002060100	CAP , COMP. FUEL TANK	1
13	KA003220000	TUBE COMP.VACUUM	1
14	KA002070000	CHECK VALVE	1
15	KA003370000	RUBBER RING	4
16	50199-BCA0-0000-0C	R-WASHER	4
17	KA002080000	COCK , FUEL ASSY.	1
18	KA001870050	CIRCLIP , AIR PIPE	2

NO.	Part NO.	Description in English	數量Qty
19	GB5787-86	BOLT FLANGE M8×55	2
20	KA002090000	FILTER	1
21	KA001860050	CIRCLIP, FUEL TUBE	4
22	KA003230000	TUBE COMP.VACUUM	1
23	KA001850050	TUBE SPRING I	2
24	KA003210100	TUBE COMP.FUEL.I	1
25	KA003210200	TUBE COMP.FUEL.II	1
26	KA001830050	TUBE SPRING II	1
27	KA107010100-2	RIGHT SEAT ASSY	1
28	KA107010200-2	LEFT SEAT ASSY	1
29	KA107080000-1	BELT.SAFETY	1
30	KA107080100-1	BOLT BELT.SAFETY	1
31	KA20705001A	RAIL SET.SEAT	1
32	GB5787-86	BOLT FLANGE M8×25	4
33	GB6187-86	LOCK NUT FLANGE M8	12
34	GB6187-86	LOCK NUT FLANGE M8	4
35	GB6187-86	NUT FLANGE M5	2
36	GB5787-86	BOLT FLANGE M8×16	8
37	GB5787-86	BOLT FLANGE M6×30	4
38	GB/T95-87	FLAT WASHER ø6	4
39	KB001650086	COLLAR , INNER	4
40	KA105310000-2	FOUR-CALIPER BRAKE ASSY	1
41	KA105310100-2	PUSH ROD , MASTER	1
42	KA003130000	BRACKEY , FRONT FENDER	2
43	KA003140000	REAR FENDER	2
44	KA00135001A	FRONT FENDER , L	1
45	KA00136001A	FRONT FENDER , R	1
46	KA00137001A	REAR FENDER , L	1
47	KA00138001A	REAR FENDER , R	1
48	GB/T882-86	PIN 6×30	1
49	GB/T91-86	PIN 1.6×16	1
50	GB5787-86	BOLT FLANGE M8×35	2
51	GB5787-86	BOLT FLANGE M8×25	2
52	GB/T93-87	WASHER ,SPRTNG ø8	2
53	GB5787-86	BOLT FLANGE M8×96	1
54	GB5787-86	BOLT FLANGE M8×12	1
55	GB5787-86	BOLT FLANGE M6×16	12
56	GB6187-86	LOCK NUT FLANGE (M6)	12
57	GB5787-86	BOLT FLANGE M8×16	2
58	GB5787-86	BOLT FLANGE M6×35	2
59	GB/T93-87	WASHER ,SPRTNG ø6	2
60	GB6170-86	NUTM6	2