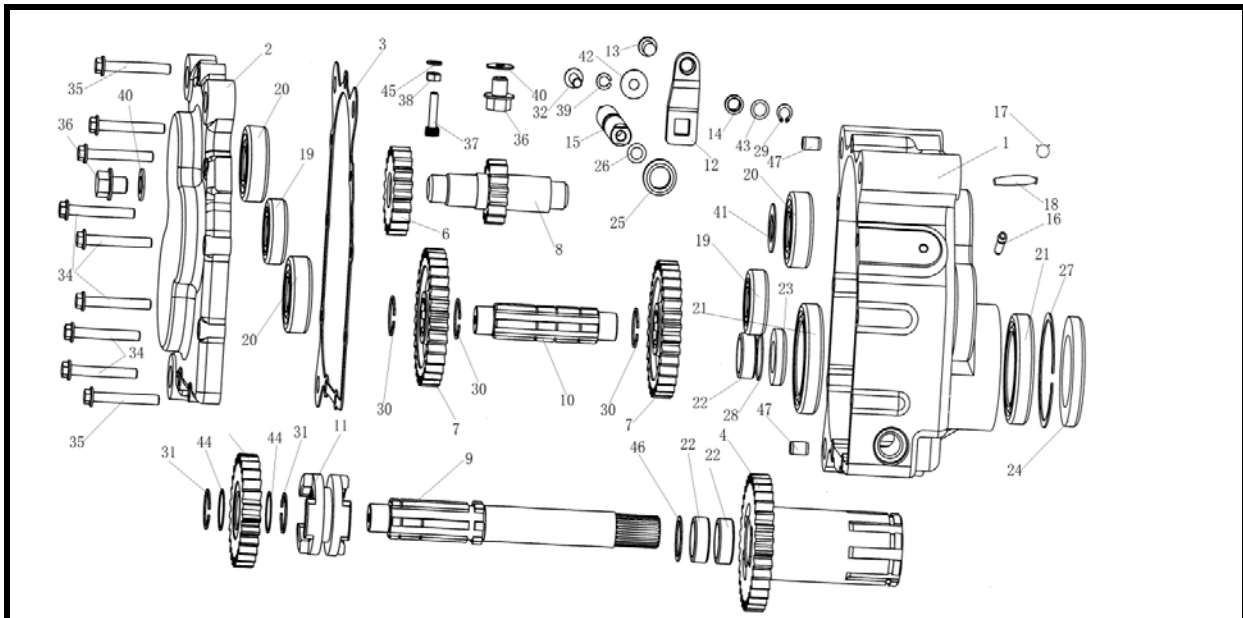
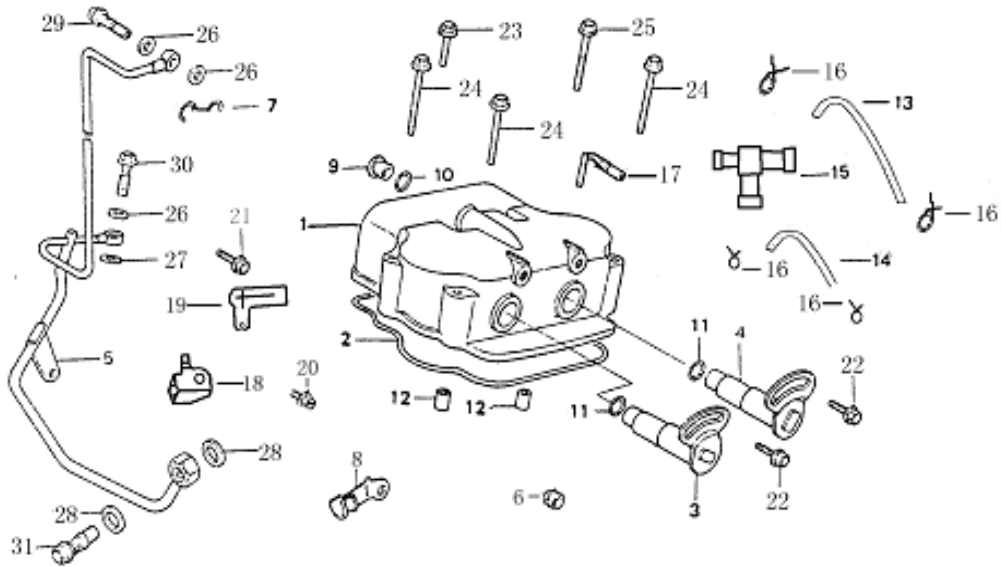


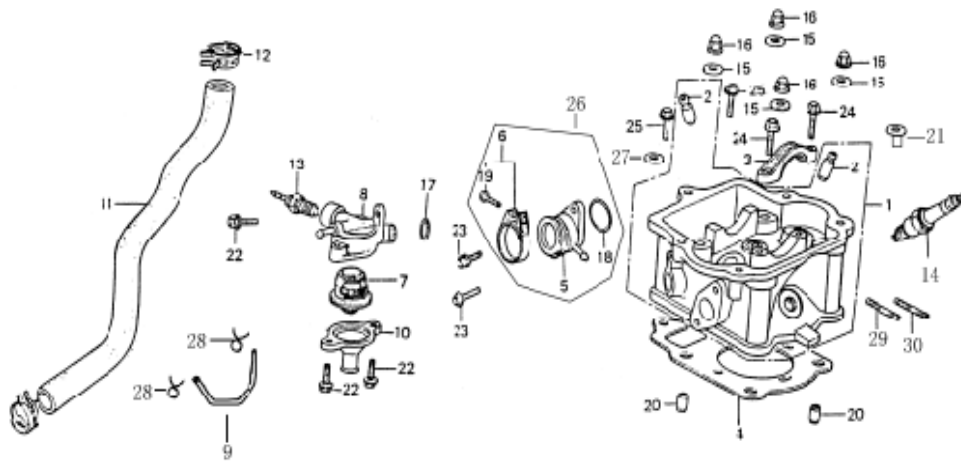
Ref #	Part#	Part Name	QTY
1	KB005610100	CASE, GEAR BOX (SINGLE SHAFT)	1
2	KB005610200	COVER, GEAR BOX (SINGLE SHAFT)	1
3	KB005610300	SEAL	1
4	KB005610400	GEAR, OUTPUT (SINGLE SHAFT)	1
5	KB005610500	DRIVE GEAR, PRIMARY (SINGLE SHAFT)	1
6	KB005610600	GEAR , MIDDLE (SINGLE SHAFT, DOUBLE SHAFT)	1
7	KB005610700	GEAR, INPUT (SINGLE SHAFT, DOUBEL SHAFT)	2
8	KB005610800	SHAFT, MIDDLE (SINGLE SHAFT)	1
9	KB005610900	SHAFT, INPUT (SINGLE SHAFT)	1
10	KB005611000	SHAFT I	1
11	KB005611100	SLEEVE, SPLINE	1
12	KB005611200	FORK	1
13	KB005611300	PIN	1
14	KB005611400	SLEEVE, PIN	1
15	KB005611500	SHAFT, FORK	1
16	KB005611600	INTAKER, AIR	1
17	KB005611700	PIPE, AIR	1
18	KB005611800	CLIP, PIPE (1) 8.5	1
19	GB/T272-93	BEARING 6203	2
20	GB/T272-93	BEARING 6303	3
21	GB/T272-93	BEARING 61909	2
22	GB/T272-93	BEARING, NEEDLE HK2210	3
23	KB005611900	SEAL, OIL 22x35x5	1
24	KB005612000	SEAL, OIL 45x68x8	1
25	KB005612100	SEAL, OIL 14x22x5	1
26	KB005612200	O-RING 9.4x2.4	1
27	GB/T893.1	HOLE SPACER, ELASTIC GB/T893.1 68	1
28	GB/T895.1	HOLE SPACER, STEEL WIRE GB/T895.1 28	1
29	GB/T894.1	SHAFT SPACER, ELASTIC GB/T894.1 8	1
30	GB/T894.2	SHAFT SPACER, ELASTIC GB/T894.2 22	3
31	GB/T894.2	SHAFT SPACER, ELASTIC GB/T894.2 25	2
32	GB5788-86	BOLT, FLANGE M6x16	1



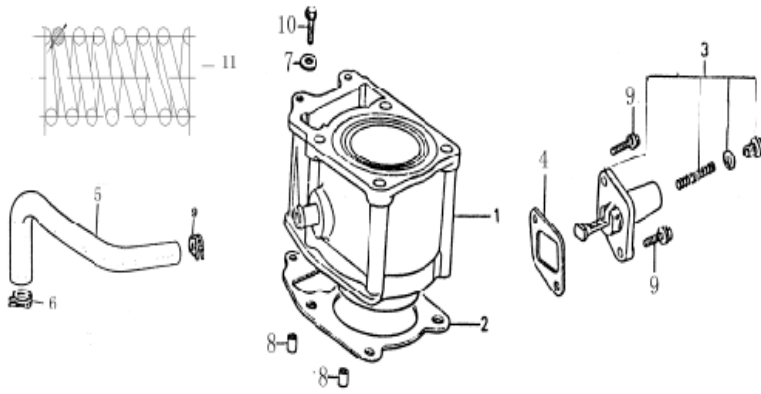
Ref #	Part#	Part Name	QTY
33	GB5788-86	BOLT, FLANGE M6×12	2
34	GB5788-86	BOLT, FLANGE M6×32	7
35	GB5788-86	BOLT, FLANGE M6×35	2
36	GB5788-86	BOLT, FLANGE M10×10	2
37	GB/T70.1	SCREW, ROUND HEAD GB/T70.1 M5×25	1
38	GB/T41	NUT, HEX GB/T41 M5	1
39	GB93-87	SPRING WASHER, STANDARD GB93 6	1
40	KB005612300	WASHER, COPPER 10.2×17×1.5	2
41	KB005612400	WASHER, FLAT 17×30×1	1
42	KB005612500	WASHER, FLAT 6.4×18×1	1
43	KB005612600	WASHER, FLAT 8.5×12×0.5	1
44	KB005612700	WASHER, FLAT 25.2×30×0.5	2
45	KB005612800	WASHER, COPPER 5.3×10×1	1
46	KB005612900	WASHER, FLAT 22.5×27.8×1	1
47	KB005613000	PIN, DOWEL 8×14	2



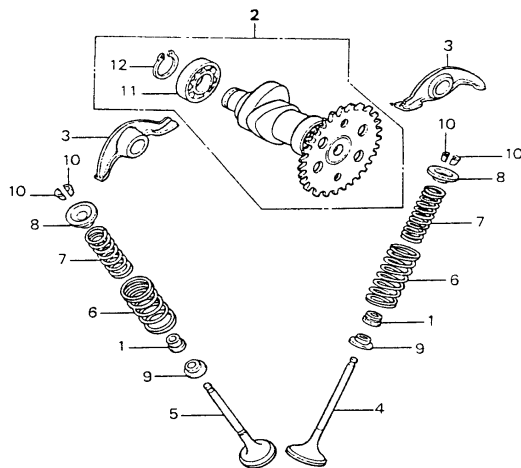
Ref #	Part#	Part Name	QTY
1	12310-SCC0-0000	Cover Comp Cylinder Head	1
2	12391-SCC0-0000	Gasket Head Cover	1
3	11450-SCC0-0000	Shaft Comp Rocker Arm In	1
4	11452-SCC0-0000	Shaft Comp Rocker Arm Ex	1
5	15710-SCC0-0000	Pipe Comp Oil	1
6	12311-SCC0-0000	Choke POlug	1
7	15712-SCC0-0000	Grommet B Pipe Comp Oil	1
8	12312-SCC0-0000	Clamper Breather Tube	1
9	90036-CAA0-0000	Cap A, C, G	1
10	91306-CAA0-0000	O-Ring 13.8*2.5	1
11	91301-SCC0-0000	O-Ring 9.4*2.4	2
12	94310-10160	Pin Dowel 10*16	2
13	11231-SCC0-0000	Tube B Breather	1
14	11211-SCC0-0000	Tube A Breather	1
15	11250-SCC0-0000	Three Way Pipe	1
16	19605-SCC0-0000	Clanp Tube (D12)	4
17	12309-SCC0-0000	Walve Air Vent	1
18	12313-SCC0-0000	Kickstand Air Cleaner	1
19	11342-SCC0-0000	Plate,Head Cover	1
20	93600-05018-0D	Bolt Special Flange 5*18	1
21	96010-06012-0D	Bolt Flange 6*12	1
22	95710-06012-0D	Bolt Flange 6*12	2
23	96010-06025-0D	Bolt Flange 6*25	1
24	96010-06050-0D	Bolt Flange 6*50	3
25	96010-06060-0D	Bolt Flange 6*60	1
26	94110-08E01-CU	Washer Cu 8.2*15*1.5	3
27	90491-SBH0-0000-CU	Washer Stopper Cu 8.2*15*1.5	1
28	94110-12E01-CU	Washer Cu 12.5*20*1.5	2
29	90161-SBH0-0000-0D	Bolt A Oil Pass	1
30	90162-SBH0-0000-0D	Bolt B Oil Pass	1
31	90163-SBH0-0000-0D	Bolt C Oil Pass	1



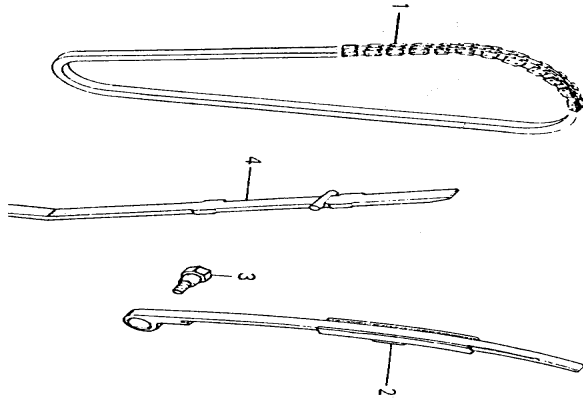
Ref #	Part#	Part Name	QTY
1	12200-SCC0-0000	Head Comp Cylinder	1
2	12237-SCC0-0000	Guide Valve	2
3	14400-SCC0-0000	Holder Cam	1
4	12251-SCC0-0000	Gasket Cylinder Head	1
5	17111-SCC0-0000	Pipe Comp In	1
6	17113-SCC0-0000	Band Insulator	1
7	19303-SDA0-0000	Thermostat Atay Assy	1
8	19310-SCC0-0000	Case Comp Thermostat	1
9	19505-BDA0-0000	Hose Water	1
10	19315-SCC0-0000	Cover Thermostat	1
11	19503-BDA0-0000	Hose Water C	1
12	11263-SCC0-0000	Clip Tube(D24)	2
13	37750-SBH0-0000	Thermostat Unit Assy	1
14	98056-SCC0-1000	Plug Spark	1
15	94110-08E02-CU	Washer 8*18*2.5	4
16	90320-08E01-0A	Nut Flange Cap 8	4
17	91303-SBH0-0000	O-Ring 14.8*1.9	1
18	91304-SCC0-0000	O-Ring 31*2	1
19	93600-05022	Screw Pan 5*22	1
20	94310-10160	Pin Dowel 10*16	2
21	90151-SBH0-0000-OA	Hex Flange In 12*10*1.0	1
22	96010-06016-0D	Bolt Flange 6*16	3
23	96050-06018-0D	Hex Flange In 6*18	2
24	90109-SCC0-0000-0D	Bolt Flange 6*22	2
25	96010-06025-0D	Bolt Flange 6*25	2
26	1711A-SCC0-0000	Pipe Comp In Comp	1
27	94110-06E01-AL	Washer 6*13*1.0	2
28	19603-SBH0-0000	Clanp Tube (D7)	2
29	90033-SCC0-0000-0B	Bolt Stud 8*40	1
30	90034-SCC0-0000-0B	Bolt Stud 8*50	1



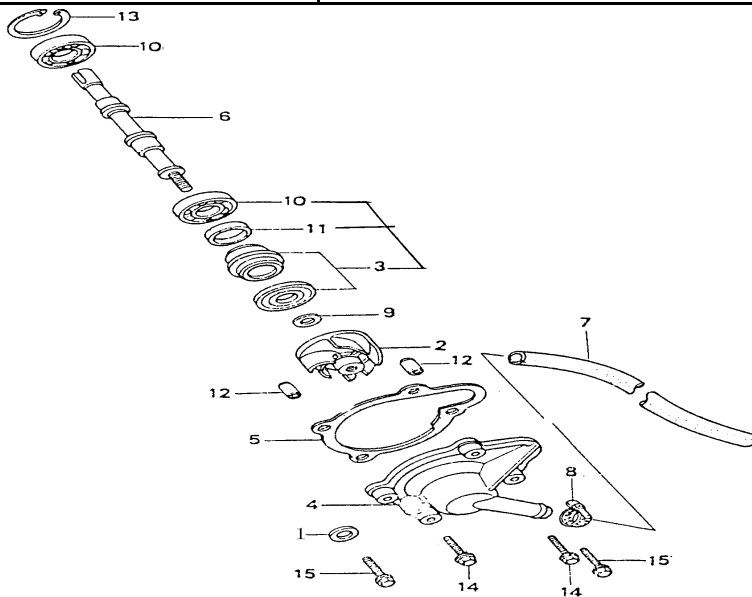
Ref #	Part#	Part Name	QTY
1	12100-SCC0-0000	Cylinder Comp	1
2	12191-SCC0-0000	Gasket Cylinder	1
3	14550-SBA0-0000	Adjuster Cam Chain	1
4	14555-SBA0-E000	Gasket Cam Chain Adjuster	1
5	19502-SCC0-0000	Hose Water B	1
6	11263-SCC0-0000	Clip Tube(D24)	2
7	94110-06E01-AL	Washer 6*13*1.0	1
8	94310-10160	pin Dowel 10*16	2
9	96010-06018-0D	Bolt Flange 6*18	2
10	96010-06022-0D	Bolt Flange 6*22	1
11	19161-SCC0-0000	protect spring Hose Water B	1



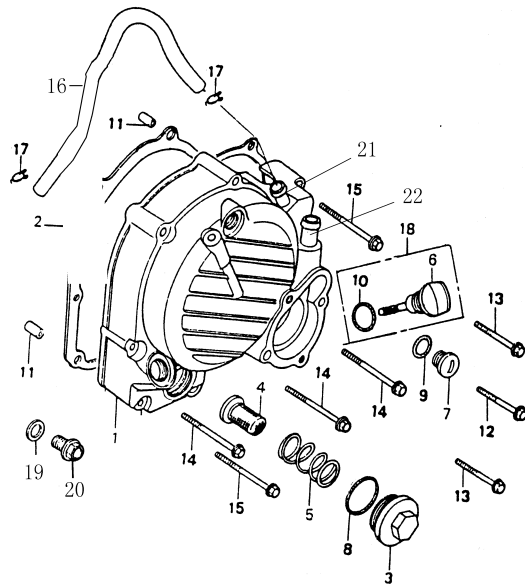
Ref #	Part#	Part Name	QTY
1	12209-CAA0-0000	Seal Valve Stem	2
2	14100-SCC0-0000	Shaft Comp Cam	1
3	14431-SCC0-0000	Arm Valve Rocker	2
4	14711-SCC0-0000	Valve Inlet	1
5	14721-SCC0-0000	Valve Exhaust	1
6	14751-SCC0-0000	Spr Valve Outer	2
7	14761-SCC0-0000	Spr Valve Inner	2
8	14771-SAA0-0000	Retainer Valve Spr	2
9	14775-SCC0-0000	Seat Valve Spr	2
10	14782-SAA0-0000	Cotter Valve	4
11	96100-60020	Bearing Ball Radial 6002	1
12	94510-15000-OE	Cir Clip External 15	1



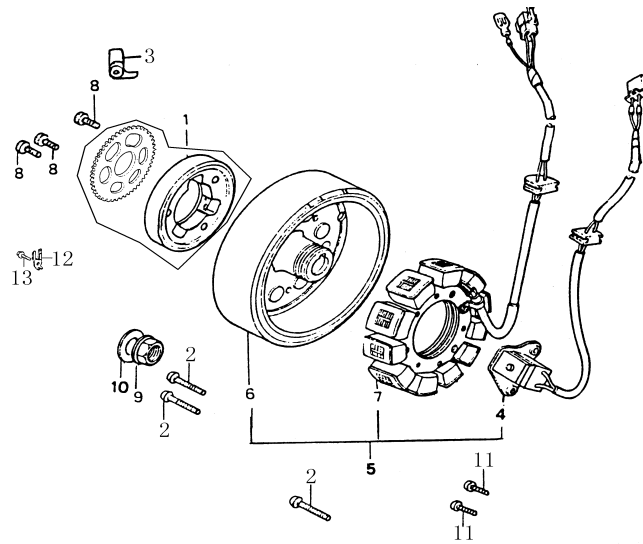
Ref #	Part#	Part Name	QTY
1	14401-SCC0-0000	Chain Cam	2
2	14510-SCC0-0000	Tensioner Cam Chain	2
3	95710-06012-0D	Blot Hex 6*12	1
4	14610-SCC0-0000	Guide Cam Chain	1



Ref #	Part#	Part Name	QTY
1	94110-06E01-CU	Washer 6.5*14*1.5	1
2	19215-SCC0-0000	Impeller Water Pump	1
3	19217-SBH0-0000	Seal Mechanical	1
4	19221-SCC0-0000	Cover Water Pump	1
5	19229-SBH0-0000	Gasket Water Pump	1
6	19231-SCC0-0000	Shaft Water Pump	1
7	19501-BDA0-0000	Hose Water	1
8	11263-SCC0-0000	Clip Tube(D24)	1
9	94110-07E01-ST	Washer 7.2*13*1.2	1
10	96100-68000	Bealing Ball Radial 6800	2
11	91205-SCC0-0000	Oil Seal 12*20*5	1
12	94310-08140	Pin Dowel 8*14	2
13	94520-19000-OE	Cir Clip Internal 19	1
14	96010-06025-0D	Bolt Flange 6*25	2
15	96010-06040-0D	Bolt Flange 6*40	2

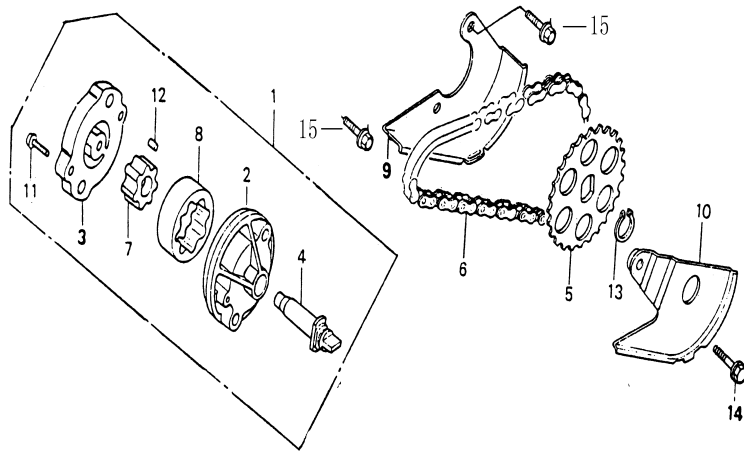


Ref #	Part#	Part Name	QTY
1	11331-SCC0-0000	Cover Comp R	1
2	11394-SCC0-0000	Gasket R Cover	1
3	12361-SBA0-0000	Cap Tappet Adjusting Hole	1
4	15421-SBA0-0000	Oil Filter	1
5	15426-SCC0-0000	Spring Oil Filter Screen	1
6	15651-SCC0-0000	Guage Oil Level	1
7	90036-CAA0-0000	Cap A.C.G	1
8	91301-CAA0-0000	O-Ring 30.8*3.2	1
9	91306-CAA0-0000	O-Ring13.8*2.5	1
10	91305-CAA0-0000	O-Ring 18*3	1
11	94310-08140	Pin Dowel 8*14	2
12	96010-06028-0D	Bolt Flange 6*28	1
13	96010-06040-0D	Bolt Flange 6*40	3
14	96010-06070-0D	Bolt Flange 6*70	3
15	96010-06080-0D	Bolt Flange 6*80	1
16	11241-SCC0-0000	Tube C Breather	1
17	19604-SBH0-0000	Clanp Tube ( D11 )	2
18	1565A-SCC0-0000	Guage Oil Level Comp	1
19	94110-12E01-CU	Washer Drain Plug 12mm	1
20	90035-SCC0-0000	Bolt Drain Plug 12	1
21	11335-SCC0-0000	Walve Air Vent	1
22	11333-SCC0-0000	Water Out	1

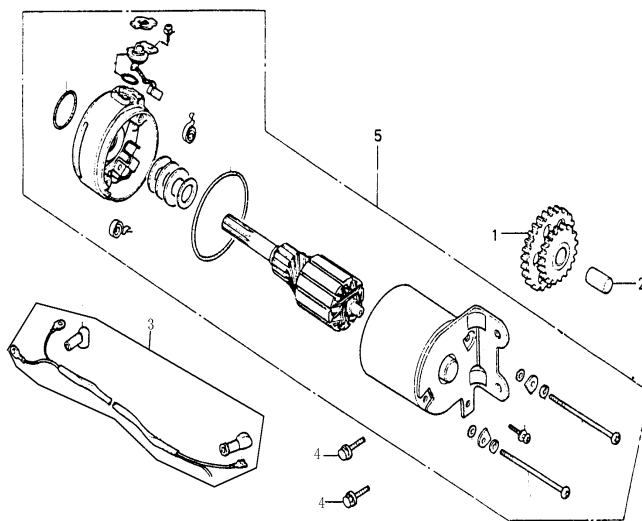


Ref #	Part#	Part Name	QTY
1	2812A-SCC0-0000	Outer Comp Starting Clutch	1
2	96010-06030-0D	Bolt Flange 6*30	3
3	32961-SCC0-0000	Clamper A.C.Generator Cord	1
4	31130-SCC0-0000	Gen Assy Pulse A.C.G	1
5	31100-SCC0-0000	A.C.G Fltwheel	1
6	31110-SCC0-0000	Flywheel Comp	1
7	31120-SCC0-0000	Stator Comp	1
8	96050-06018-0D	Hex Flange In 8*18	3
9	90200-16E01-0B	Nut Flange 16*1.0	1
10	94110-16E01-ST	Washer 16*32*2	1
11	93210-05016-0D	Hex Flange 5*16	2
12	28131-SCC0-0000	Guide Starter Clutch Gear	1
13	96010-06012-0D	Bolt Flange 6*12	1

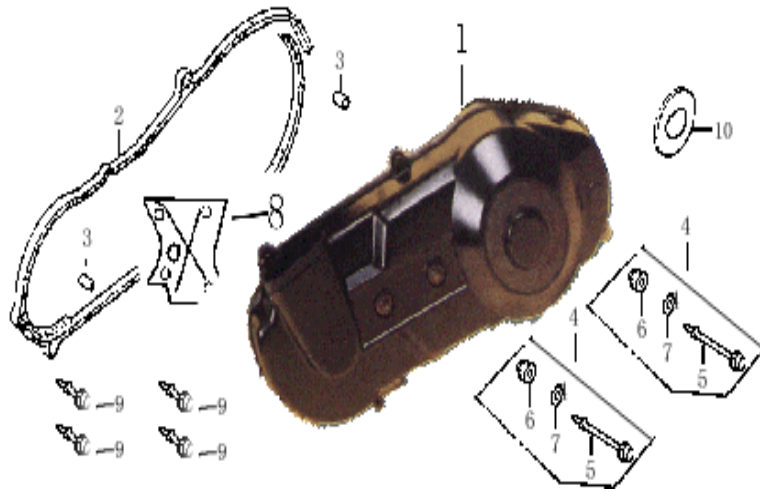




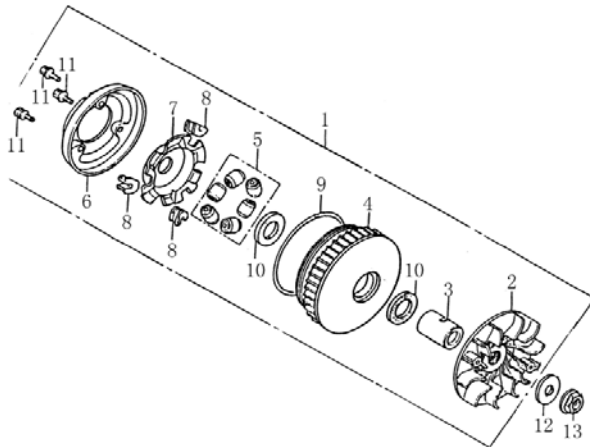
Ref #	Part#	Part Name	QTY
1	15100-SBH0-0000	Oil Pump Assy	1
2	15101-SBH0-0000	Body Oil Pump	1
3	15116-SBH0-0000	Plate Oil Pump	1
4	15132-SBH0-0000	Shaft Oil Pump	1
5	15133-SBH0-0000	Sprke Oil Pump Driven	1
6	15141-SBH0-0000	Chain Oil Pump Driven	1
7	15331-SBH0-0000	Rotor Oil Inner Pump	1
8	15332-SBH0-0000	Rotor Oil Outer Pump	1
9	15732-SBH0-0000	Oil Separater Under	1
10	15731-SBH0-0000	Oil Sepatater Above	1
11	15333-SBH0-0000	Screw Pan 3*12	1
12	94310-04065	Pin Dowel 4*6.5	1
13	94510-10000-OE	Cir Clip External 10mm	1
14	96010-06012-0D	Bolt Flange 6*12	1
15	96010-06028-0D	Bolt Flange 6*28	2



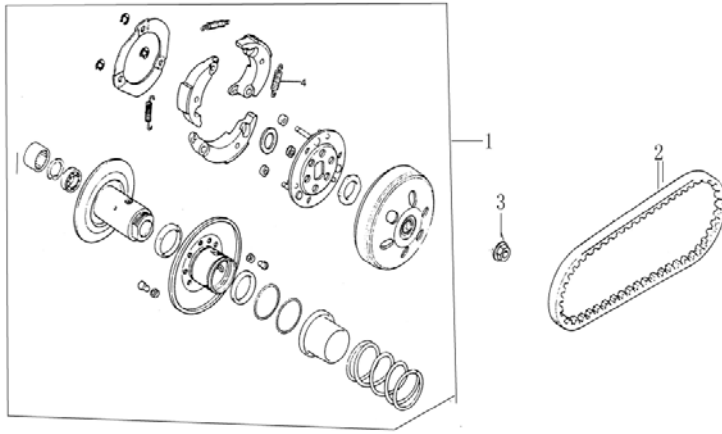
Ref #	Part#	Part Name	QTY
1	28101-SBH0-0000	Gear Starter Reduction	1
2	28102-SBH0-0000	Shaft starter Reduction Gear	1
3	31220-SCC0-0000	Sub Harness	1
4	96010-06022-0D	Bolt Flange 6*22	2
5	31210-SCC0-0000	Motor Assy Starter	1



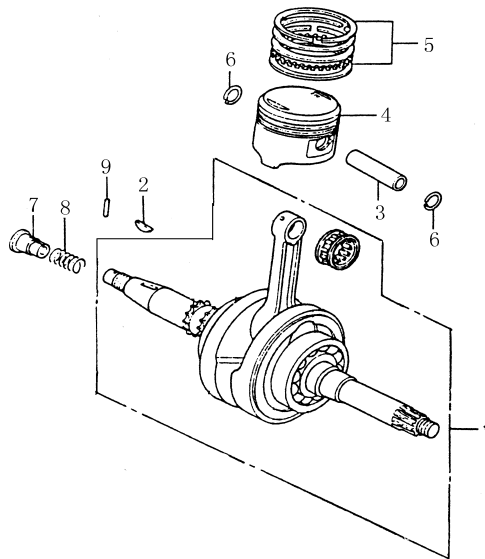
Ref #	Part#	Part Name	QTY
1	11341-SCC0-0000	Cover L	1
2	11351-SCC0-0000	Gasket Cover L	1
3	11344-SBH0-0000	Pin Dowel 6*10*16	2
4	9019A-SCC0-0000	Bolt Special Comp	2
5	90192-SCC0-0000	Bolt Special	2
6	90193-SBH0-0000	Mount Rubber	2
7	90194-SBH0-0000	Washer 11	2
8	11350-SCC0-0000	Plate L Cover	1
9	93600-05008-0D	Bolt Special Flange 5*8	4
10	11343-SCC0-0000	Crommet Side Panel	1



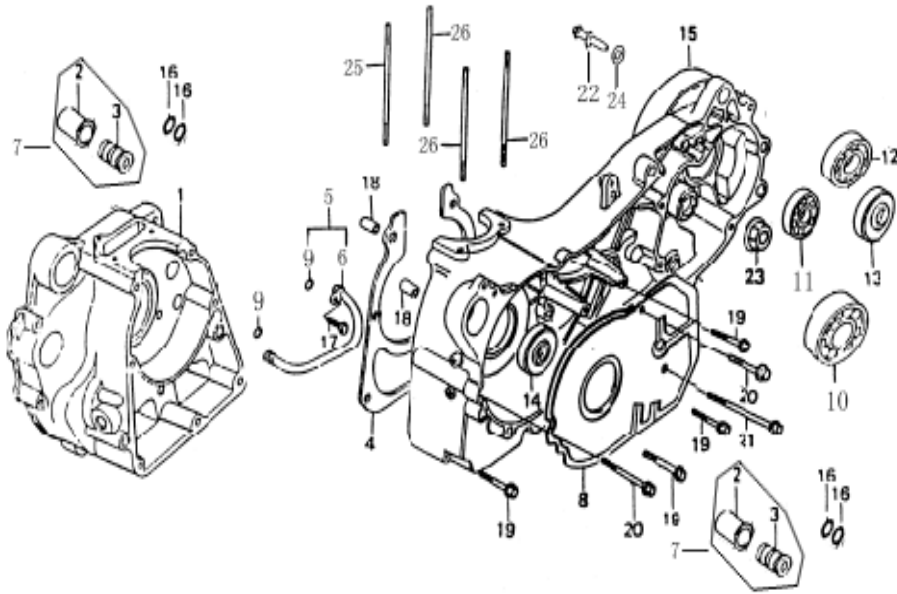
Ref #	Part#	Part Name	QTY
1	2201A-SCC0-0000	Drive Sprocket Assy.	1
2	22021-SCC0-0000	Fan Cvt Cooling	1
3	22031-SCC0-0000	Boss Drive Face	1
4	22041-SCC0-0000	Drive Sprocket	3
5	22051-SCC0-0000	Roller Comp Weight	6
6	22061-SCC0-0000	Seal Movable Face	3
7	22071-SCC0-0000	Plate Ramp	1
8	22081-SCC0-0000	Piece Slide	1
9	91307-CAA0-0000	O-Ring 107*2	1
10	91206-SCC0-0000	Oil Seal 27*34*3.5	3
11	93600-05010-0D	Screw Tapping 5*14	3
12	94110-14E01-ST	Washer 14.5*28*1	1
13	90200-14E02-0D	Nut Hex 14*1.5	1



Ref #	Part#	Part Name	QTY
1	2301A-SCC0-0000	Plate Sub Assy Drive	1
2	23100-SCC0-0000	Belt Drive	1
3	90200-12E01-0D	Nut Hex 12*1.25MM	1



Ref #	Part#	Part Name	QTY
1	13000-SCC0-0000	Crank Shaft Comp	1
2	90701-SAA0-0000	Key Woodruff	1
3	13111-SCC0-0000	Pin Piston	1
4	13101-SCC0-0000	Piston	1
5	13011-SCC0-0000	Ring Set Piston ( Std )	1
6	13115-SCC0-0000	Clip Piston Pin	2
7	15743-SBH0-0000	Oil Througe	1
8	15742-SBH0-0000	Spr Oil Througe	1
9	15741-SCC0-0000	Roller 2*14	1



Ref #	Part#	Part Name	QTY
1	11100-SCC0-0000	Crank Case Assy R	1
2	11112-SBH0-0000	Bush Outer Englin Hanger	2
3	11113-SBH0-0000	Bush Inner Englin Hanger	2
4	11192-SCC0-0000	Gasket Crankcase	1
5	1552A-SCC0-0000	Pipe Comp B Oil Assy	1
6	15520-SCC0-0000	Pipe Comp B Oil	1
7	11111-SBH0-0000	Bush Engine Hanger Rubber	2
8	11242-SCC0-0000	Insulator Heat	1
9	15521-SCC0-0000	Seal Pipe Comp B Oil	1
10	96100-63010	Bearing Radial Ball 6301	1
11	91901-SCC0-0000	Brealing Ndl NK142216	1
12	96100-62050-LU	Bearing Radial Ball 6205LU	1
13	91201-SCC0-0000	Oil Seal 34*52*5	1
14	91203-SCC0-0000	Oil Seal 27.9*40*8	1
15	11200-SCC0-0000	Crank Case Assy L	1
16	91302-SBH0-0000	O-Ring 15.8*2.4	4
17	96010-06012-0D	Blot Flange 6*12	1
18	94310-10160	Pin Dowel 10*16	2
19	96010-06060-0D	Blot Flange 6*60	5
20	96010-06070-0D	Blot Flange 6*70	3
21	96010-06125-0D	Blot Flange 6*125	1
22	11204-SBA0-0000	Pin Brake Shoe Anchor	1
23	90210-08E01-0B	Nut Flange 8mm	1
24	91304-SBA0-0000	O-Ring 7.5*1.5	1
25	90032-SCC0-0000-0B	Bolt Stud 8*185	1
26	90031-SCC0-0001-0B	Bolt Stud 8*175	3