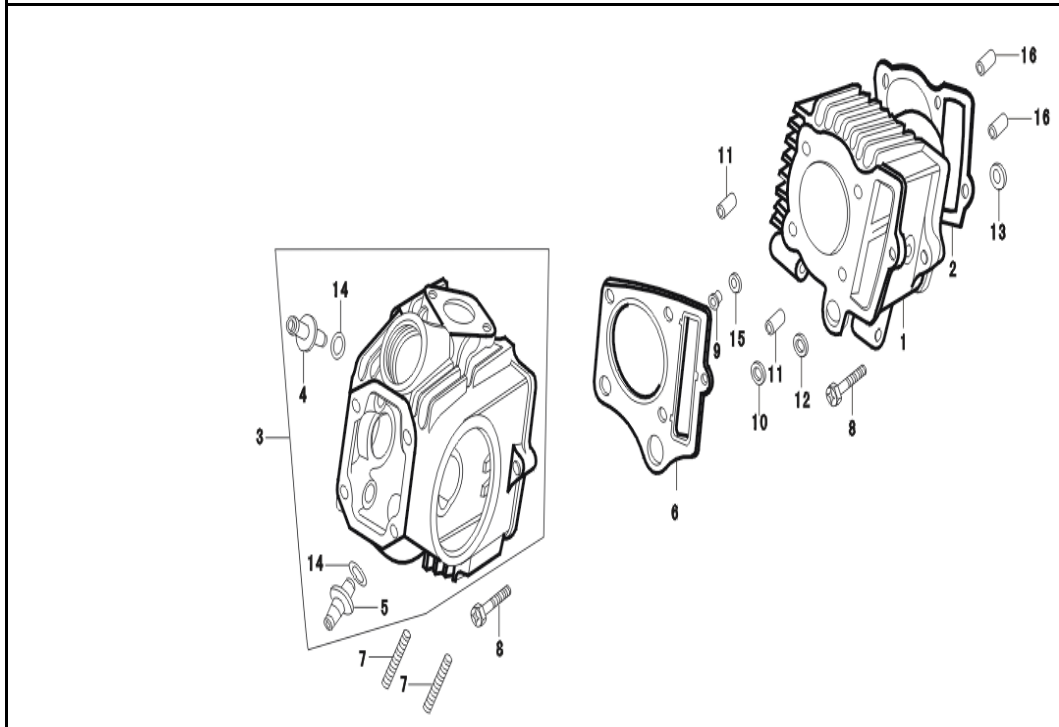


110纯电启动小乖乖单极传动(100000-H1AY-00125)

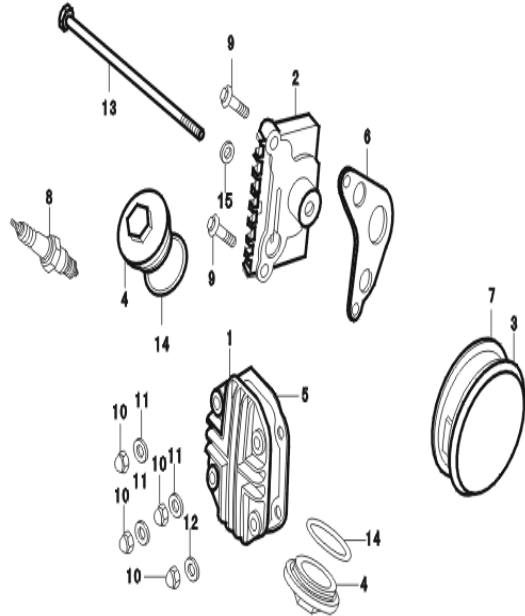
序号 S.N	零部件代号 NO	Part.	英文名称 Name	English	数量 Quantity
-----------	-------------	-------	--------------	---------	----------------

E-1 气缸头/气缸体(CYLINDER HEAD/CYLINDER BODY)



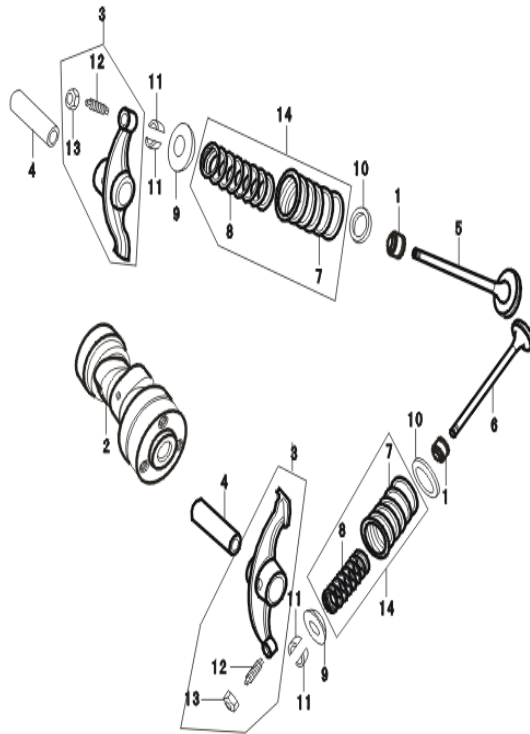
1	120020026-0002		CYLINDER ASSY.		1
2	120050006-0001		GASKET,CYLINDER		1
3	120080091-0001		HEAD ASSY., CYLINDER		1
4			PIPE.IN VALVE		1
5			PIPE.EX VALVE		1
6	120150004-0001		GASKET,CYLINDER HEAD		1
7	380180031-0001		STUD		2
8	380040003-0001		BOLT		2
9	380820090-0001		COLLAR		1
10	380450056-0001		WASHER		1
11	380600002-0001		PIN		2
12	380840045-0001		O-RING		1
13	380840046-0001		RECTANGULAR RING		1
14			O-RING		2
15	380840047-0001		RECTANGULAR RING		1
16	380600012-0001		CYLINDER ASSY.		2

E-2 气缸头盖 (COVER,CYLINDER HEAD)



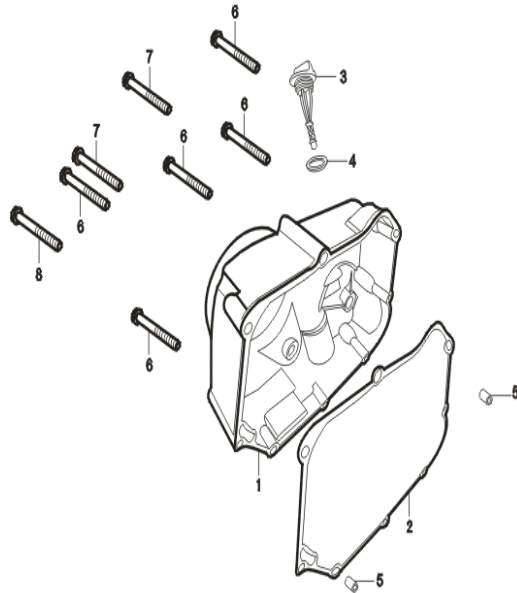
1	120230007-0001	COVER,CYLINDER HEAD	1
2	120350004-0002	COVER,R.CYLINDER HEAD SIDE	1
3	120300001-0001	COVER,L.CYLINDER HEAD SIDE	1
4	120280003-0001	VALVE CAP	2
5	120250001-0001	GASKET,CYLINDER HEAD COVER	1
6	120370001-0001	GASKET,R.CYLINDER HEAD SIDECOVER	1
7	120310001-0001	GASKET,L.CYLINDER HEAD SIDE COVER	1
8	270960004-0001	SPARK PLUG	1
9	380140015-0006	BOLT	2
10	380330011-0004	NUT , CYLINDER HEAD COVER	4
11	380540017-0001	GASKET	3
12	380450053-0001	GASKET	1
13	380140066-0005	BOLT M6×110	1
14	380840132-0001	O-RING	2
15	380840064-0001	GASKET	1

E-3 气门组件 (CAMSHAFT/VALVE)



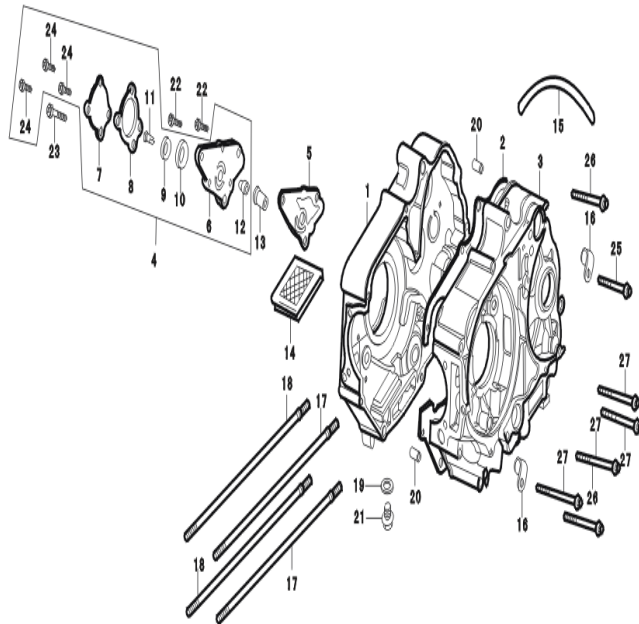
1	140400002-0001	OIL SEAL,VALVE	2
2	140020004-0001	CAMSHAFT COMP	1
3	140450003-0001	ARM,VALVE ROCKER	2
4	140510002-0001	SHAFT , VALVE ROCKER ARM	2
5	140300003-0001	VALVE,IN.	1
6	140310003-0001	VALVE,EX.	1
7	140350002-0001	SPRING,VALVE OUTER	2
8	140340002-0001	SPRING,VALVE INNER	2
9	140380002-0001	RETAINER, VALVE INNER SPRING	2
10	140370002-0001	SEAT,VALVE OUTER SPRING	2
11	140390002-0001	COTTER,VALVE	4
12	140480002-0001	SCREW,TAPPET ADJUSTING	2
13	140490003-0001	NUT,TAPPET ADJUSTING	2
14	140330002-0001	SPRING VALVE , ASSY	2

E-4 右曲轴箱盖 (RIGHT CRANKCASE COVER)



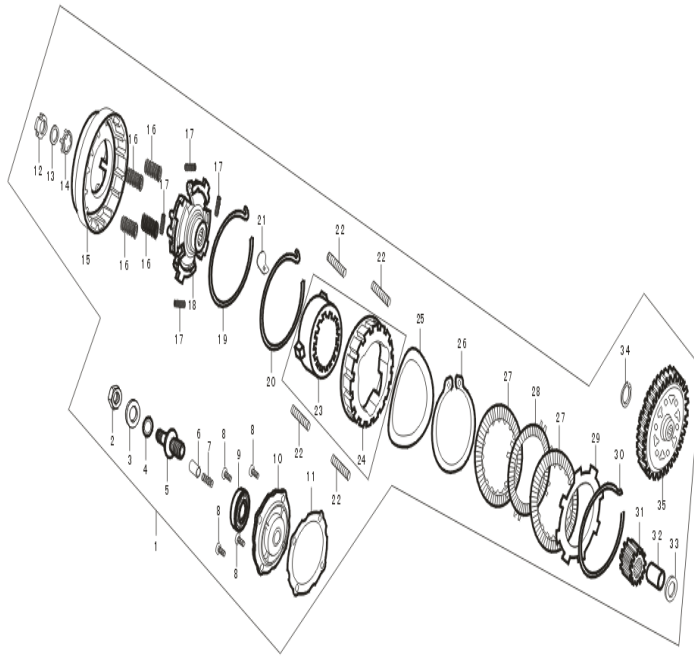
1	110600099-0001	COVER COMP.,R.CRANKCASE	1
2	110620005-0001	GASKET,R.CRANKCASE COVER	2
3	110700007-0004	GAUGE,OIL LEVEL	1
4	380840042-0001	O-RING	1
5	380600012-0001	PIN	2
6	380140019-0006	SCREW	5
7	380140057-0005	SCREW	2
8	380140030-0005	SCREW	1

E-5 曲轴箱体/机油泵 (CRANKCASE/OIL PUMP)



1	110080041-0001	CRANKCASE COMP.,R.	1
2	110100054-0001	GASKET,CRANKCASE	1
3	110030062-0001	CRANKCASE COMP.,L.	1
4	150010006-0001	OIL PUMP ASSY.	1
5	150140001-0001	GASKET,OIL PUMP	1
6		BODY,OIL PUMP	1
7		COVER,OIL PUMP	1
8		GASKET,OIL PUMP COVER	1
9		ROTOR,OIL PUMP INNER	1
10		ROTOR,OIL PUMP OUTER	1
11		SPINDLE,OIL PUMP	1
12		SLEEVE,OIL PUMP	1
13	380820093-0001	BUSH,OIL PUMP SPROCKET SPINDLE	1
14	150290002-0001	SCREEN,OIL FILTER	1
15	380740022-0001	TUBE, BREATHER	1
16	380950016-0001	CLAMP,BREATHER TUBE	2
17	110240003-0001	BOLT A,CYLINDER STUD	2
18	110250003-0001	BOLT B,CYLINDER STUD	2
19	380450018-0003	WASHER,DRAIN PLUG	1
20	380600001-0001	PIN,KNOCK	2
21	110260003-0002	BOLT,DRAIN PLUG	1
22	380200015-0001	SCREW	2
23	380200021-0003	SCREW	1
24		SCREW	3
25	380140020-0003	BOLT,FLANGE	1
26	380140032-0005	BOLT,FLANGE	2
27	380140057-0005	BOLT,FLANGE	3

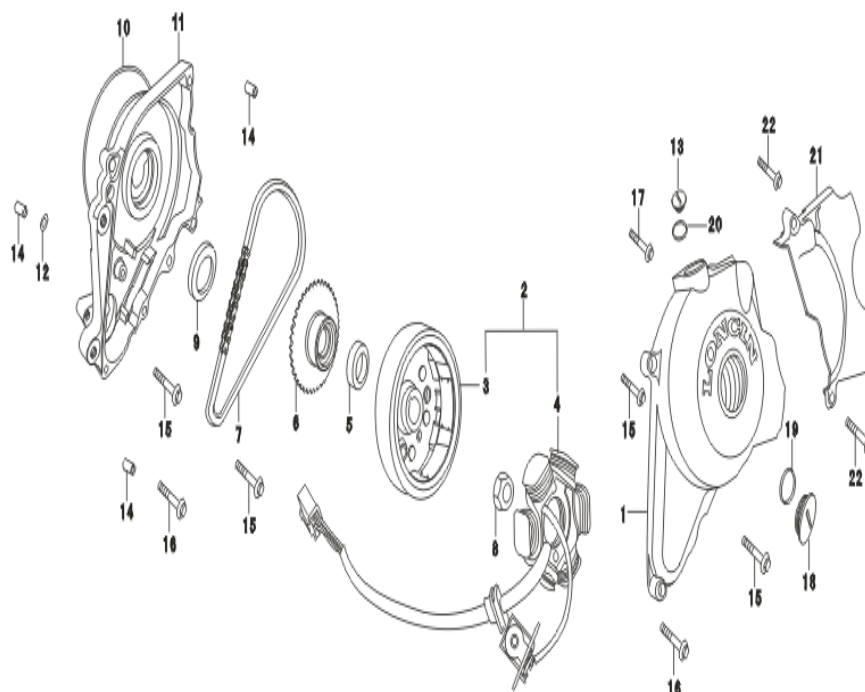
E-6 离合器 (CLUTCH)



1	500280069-0001	CLUTCH ASSY	1
2	380340005-0004	NUT	1
3	380450153-0001	GASKET	1
4	380840064-0001	O-RING	1
5	190890005-0001	VALVE , ADJUSTING	1
6	150520002-0001	PIPE,OIL IN	1
7	381150032-0001	SPRING,OIL IN	1
8	380220044-0002	BOLT	4
9	380630024-0001	BEARING	1
10	193980002-0001	END COVER,CLUTCH	1
11	190310002-0001	GASKET,CLUTCH END COVER	1
12	380810006-0001	NUT	1
13	380480002-0001	WASHER,DISC	1
14	194090003-0001	WASHER	1
15	190330006-0001	OUTER COVER ASSY.,CLUTCH	1
16	190550004-0001	SPRING , CLUTCH	4
17	381150027-0001	DAMPER SPRING,CLUTCH	4
18	190580001-0001	DRIVING PLATE	1
19	190600001-0001	CIRCLIP	1
20	190610001-0002	CIRCLIP	1
21	190590001-0001	BLOCK	1
22	381150074-0001	SPRING	4
23	190630001-0001	HUB ASSY , CLUTCH	1
24	190640001-0001	BOSS , CLUTCH	1
25	380510009-0001	WASHER	1
26	380550058-0001	SPRING , COLLAR	1
27	190460003-0001	DISK , CLUTCH FRICTION	2
28	190430003-0001	PLATE , CLUTCH LOWER	1
29	190670002-0001	PLATE , CLUTCH UPPER	2

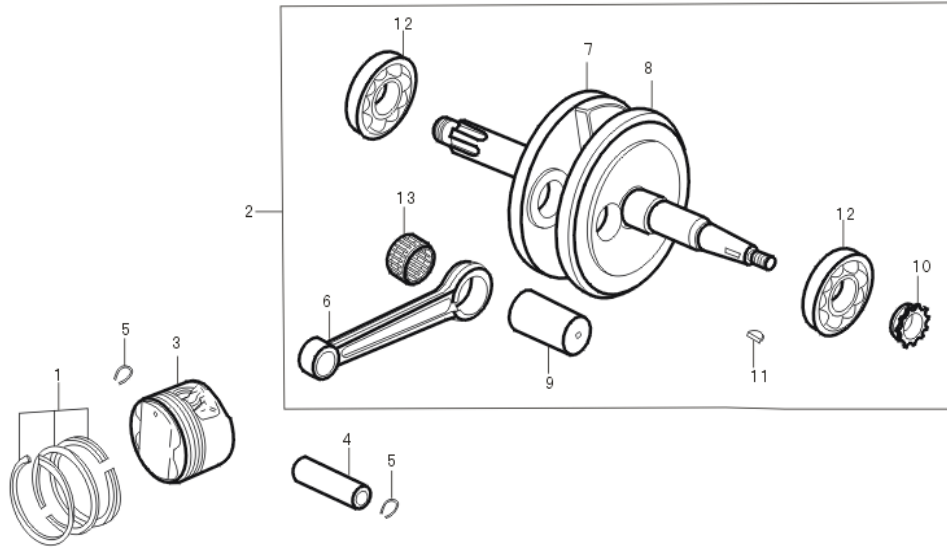
30	380550017-0001	CIRCLIP	1
31	190030019-0001	GEAR , PRIMARY DRIVE	1
32	380820077-0001	BUSH	1
33	380820071-0001	WASHER	1
34	380570004-0001	CIRCLIP	1
35	190360016-0002	PRIMARY DRIVEN GEAR COMP	1

E-7 磁电机/左曲轴箱盖 (GENERATOR/LEFT CRANKCASE COVER)



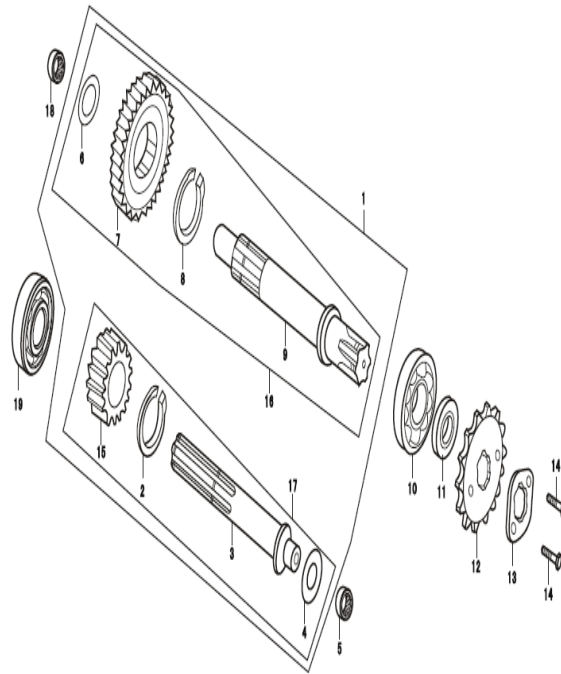
1	110400042-0001	COVER,L.CRANKCASE	1
2	270010024-0009	GENERATOR	1
3	270020034-0001	FLYWHEEL COMP	1
4	270100039-0017	STATOR COMP.	1
5	380650056-0001	OIL SEAL	1
6	193170006-0001	SPROCKET COMP,STARTING	1
7	193270001-0001	CHAIN,STARTING	1
8	380370011-0001	NUT	1
9	380650054-0001	OIL SEAL	1
10	380840048-0001	O-RING	1
11	110310002-0003	DISK COVER	1
12	380840064-0001	O-RING	1
13	110440001-0007	SMALL CAP EYEHOLE	1
14	380600012-0001	PIN,KNOCK	3
15	380140017-0005	BOLT	4
16	380140020-0003	BOLT	1
17	380140169-0002	BOLT	2
18	110430004-0006	BIG CAP EYEHOLE	1
19	380840005-0001	O-RING	1
20	380840026-0001	O-RING	1
21	110520103-0001	BACK.L.COVER	1
22	380140021-0006	BOLT	2

E-8 活塞/曲轴 (PISTON/CRANKSHAFT COMP)



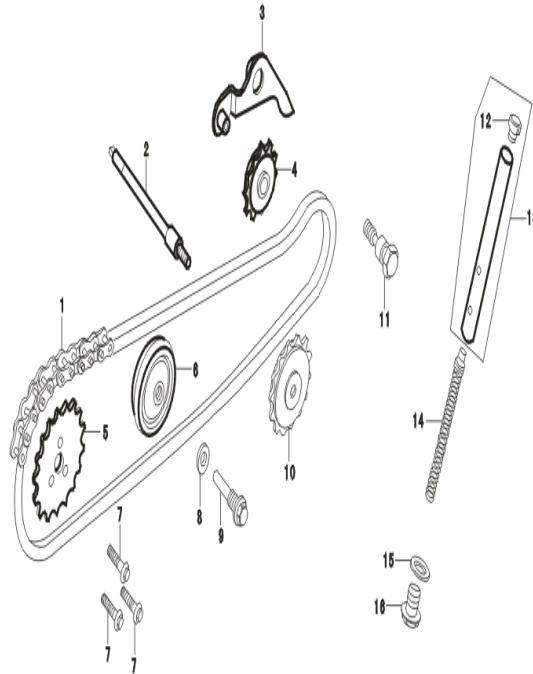
1	130070019-0001	PISTON RING SET	1
2	130140005-0001	CRANKSHAFT COMP.	1
3	130030005-0001	PISTON	1
4	130060004-0001	PIN,PISTON	1
5	380560006-0001	CLIP,PISTON PIN	2
6	130150006-0001	ROD,CONNECTING	1
7	130260006-0001	CRANKSHAFT COMP.,R.	1
8	130210006-0001	CRANKSHAFT COMP.,L.	1
9	130350010-0001	PIN,CRANK	1
10	130230002-0001	SPROCKET,TIMING	1
11	380620002-0001	KEY,WOODRUFF	1
12		BEARING 6304	2
13		NEEDLE BEARING	1

E-9 主轴\副轴(MAINSHAFT\COUNTERSHAFT ASSY)



1	500290026-0001	TRANSMISSION ASSY	1
2	380550018-0001	CIRCLIP	1
3	191260030-0001	MAINSHAFT	1
4	380540018-0001	GASKET	1
5	380630020-0001	BEARING	1
6	380540018-0001	GASKET	1
7	191420026-0001	DRIVING GEAR,1ST COUNTERSHAFT	1
8	380550018-0001	CIRCLIP	1
9	191400046-0001	COUNTERSHAFT	1
10	380630002-0001	BEARING	1
11	380650061-0001	OIL SEAL	1
12	191600016-0001	SPROCKET,DRIVE	1
13	191610002-0001	PLATE,FIXING	1
14	380070004-0001	BOLT	2
15	191270003-0001	DRIVING GEAR,1ST MAINSHAFT	1
16	191390043-0001	COUNTERSHAFT ASSY	1
17	191250014-0001	MAINSHAFT ASSY	1
18	380630019-0001	BEARING	1
19	380630002-0001	BEARING	1

E-10 链条张紧器 (CAM CHAIN/TENSIONER)



1	140610001-0001	CHAIN,CAM	1
2	150130001-0001	SPINDLE,CAM CHAIN GUIDE SPROCKET	1
3	141160001-0001	ARM COMP.,CAM CHAIN TENSIONER	1
4	141210001-0001	ROLLER,CAM CHAIN TENSIONER	1
5	140580002-0001	SPROCKET,CAM	1
6	141240001-0001	ROLLER COMP.,CAM CHAIN GUIDE	1
7	140590001-0002	BOLT,KNOCK	3
8	380450056-0001	WASHER,8MM	1
9	141270001-0005	PIN, CAM CHAIN GUIDE ROLLER	1
10	150150001-0001	SPROCKET,OIL PUMP	1
11	141200001-0001	PIVOT,CAM CHAIN TENSIONER	1
12		HEAD,CAM CHAIN TENSIONER PUSH ROD	1
13	141080001-0001	ROD COMP.,CAM CHAIN TENSIONER PUSH	1
14	381150030-0001	SPRING,CAM CHAIN TENSIONER	1
15	380450054-0001	WASHER,SEALING	1
16	110260004-0004	BOLT,SEALING	1

