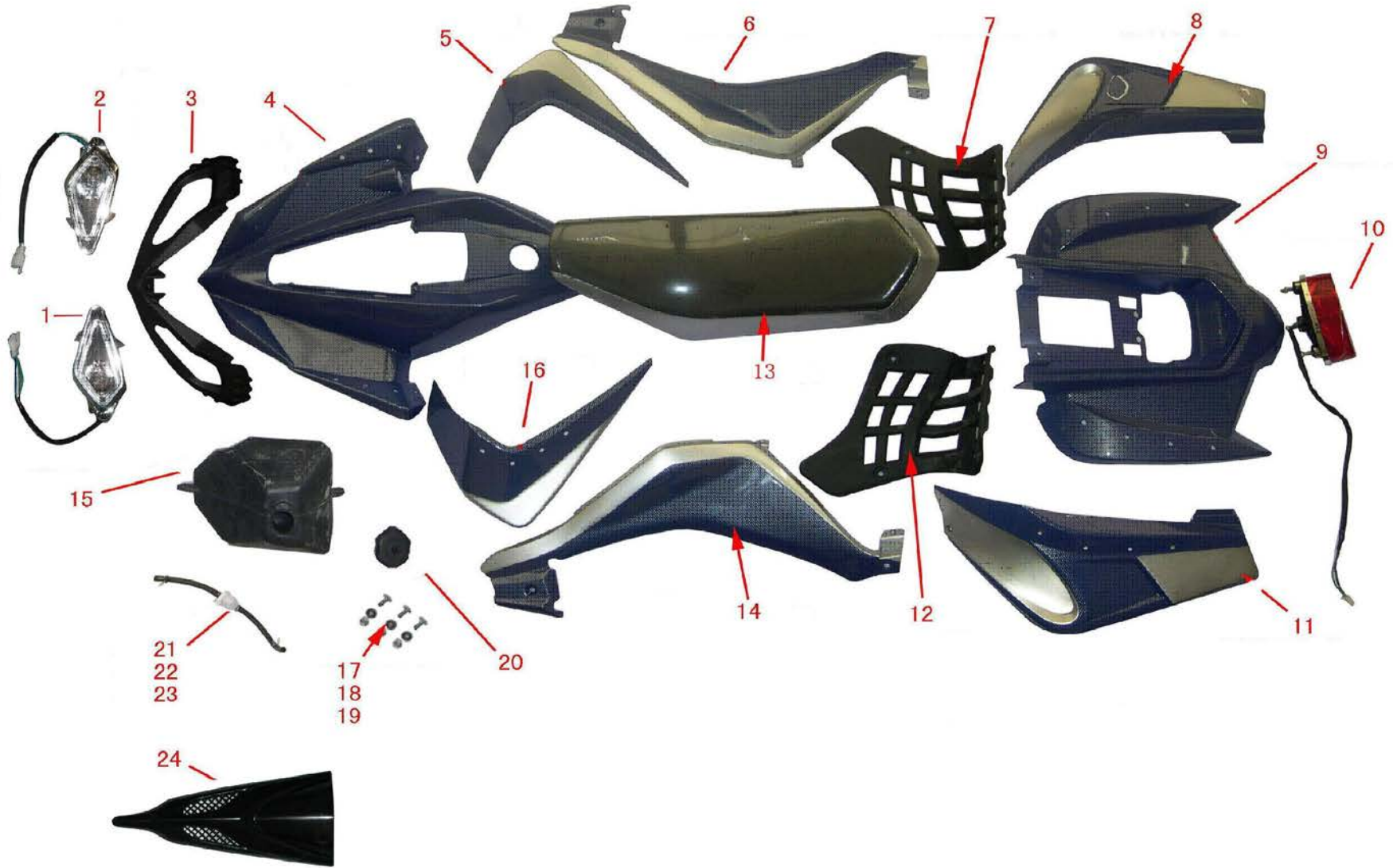


外衣部分
BODY COVERS



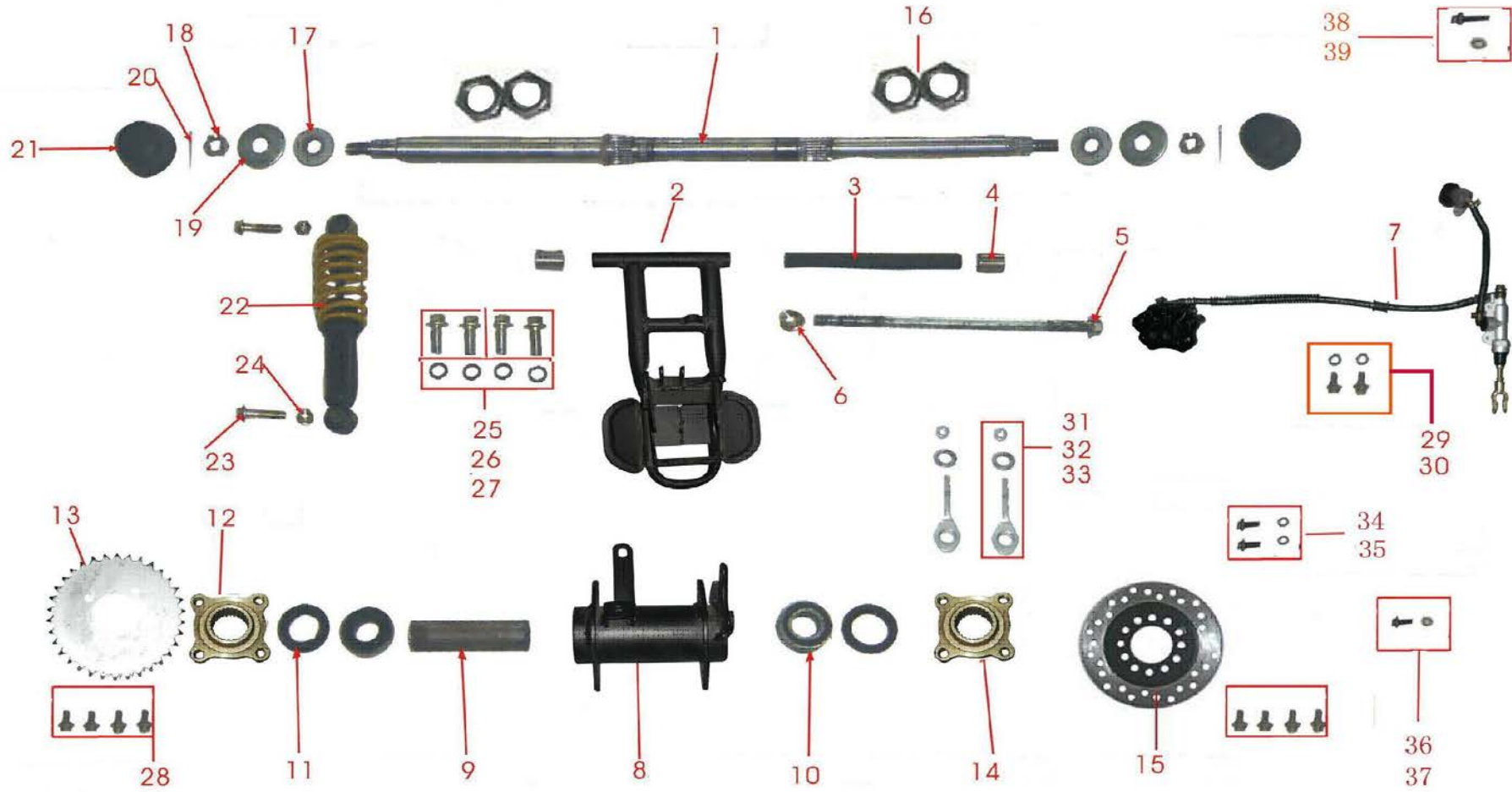
外衣部分

BODY COVERS

序号S.N	零部件代码 PART NO.	英文名称 English part name	数量 QTY
1	5.2.80.0020	HEAD LIGHT,L	1
2	5.2.80.0020	HEAD LIGHT,R	1
3	6.2.80.0150	HEAS LIGHT SHIELD	1
4	6.2.80.007001	FRONT BODY COVER	1
5	6.2.80.0090	FRONT WING PANEL,R	1
6	6.2.80.0110	RIGHT PANEL	1
7	6.2.80.0020	FOOTREST,R	1
8	6.2.80.0140	REAR WING PANEL,R	1
9	6.2.80.012001	REAR BODY COVER	1
10	5.2.80.0010	TAIL LIGHT	1
11	6.2.80.0130	REAR WING PANEL,L	1
12	6.2.80.0010	FOOTREST,L	1
13	6.1.80.0010	SEAT	1
14	6.2.80.0100	LEFT PANEL	1
15	2.9.80.0010	TANK	1
16	6.2.80.0080	FRONG WING PANEL,L	1
17	8.1.04.0030	SCREW M6*20	28
18	6.2.02.0130	RUBBER PAD	28
19	0.03.00250	NUT M6	28
20	TANK ASSY INCL	TANK CAP	1

序号S.N	零部件代码 PART NO.	英文名称 English part name	数量 QTY
21		OIL PIPE	2
22	2.9.17.0040	FUEL FILTER	1
23	2.9.02.0040	BUCKLE	4
24	6.2.80.004001	FRONT PANEL	1

后桥部分 REAR SWINGARM



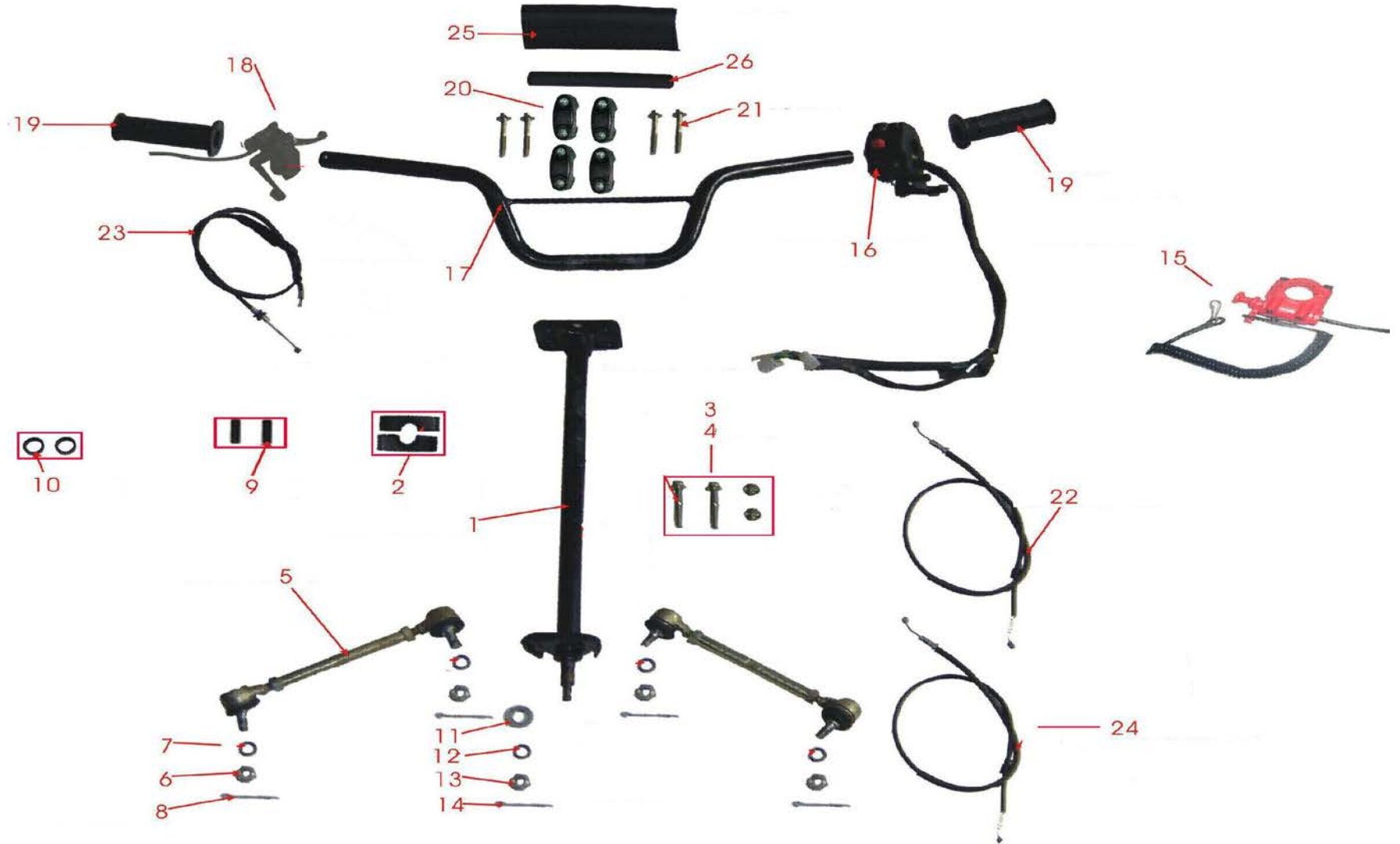
后 桥 部 分

REAR SWINGARM

序号S.N	零部件代码 PART NO.	英文名称 English part name	数量 Quantity
1	4.1.80.0010	REAR AXLE	1
2	1.3.80.0100	REAR SWINGARM	1
3	1.3.80.0120	BUSHING FOR REAR SWINGARM	1
4	1.3.80.0110	SPACER WASHER FOR REAR SWINGARM	2
5	0.01.29150	FLANGE SHAFT	1
6	0.03.01350	NUT	1
7	4.3.80.0010	REAR DISC BRAKE	1
8	4.1.80.0020	REAR AXLE JOINT	1
9	4.1.80.0030	REAR AXLE CONNECTING BUSHING	1
10	0.05.01600	BEARING	2
11	0.07.00800	OIL SEAL	2
12	4.1.80.0070	SPROCKET JOINT	2
13	4.1.80.0130	SPROCKET	1
14	4.1.80.0080	BRAKE DISC JOINT	1
15	4.3.80.0020	REAR DISC PLATE	1
16	0.03.08150	NUT	4
17		WASHER	2
18	0.03.01620	NUT	2
19	4.1.02.0130	SPACER	2
20	0.08.01400	COTTER PIN	2
21	4.1.02.0100	RUBBER COVER	2

序号S.N	零部件代码 PART NO.	英文名称 English part name	数量 Quantity
22	4.2.80.0020	REAR SHOCK ABSORBER	1
23	0.01.05650	SCREW	2
24	0.03.00550	NUT	2
25	0.01.06150	SCREW	2
26	0.01.05850	SCREW	2
27	0.03.00550	NUT	4
28	0.01.05150	SCREW	8
29	0.01.05150	SCREW	2
30	0.04.00710	WASHER	2
31	4.1.80.0040	JACK	2
32	0.04.00350	WASHER	2
33	0.03.03850	NUT	2
34	0.01.00650	SCREW	2
35	0.04.00610	WASHER	2
36	0.01.00450	SCREW	1
37	0.03.00250	NUT	1
38	0.01.00650	SCREW	1
39	0.03.03150	NUT	1

转 向 部 分
STEERING



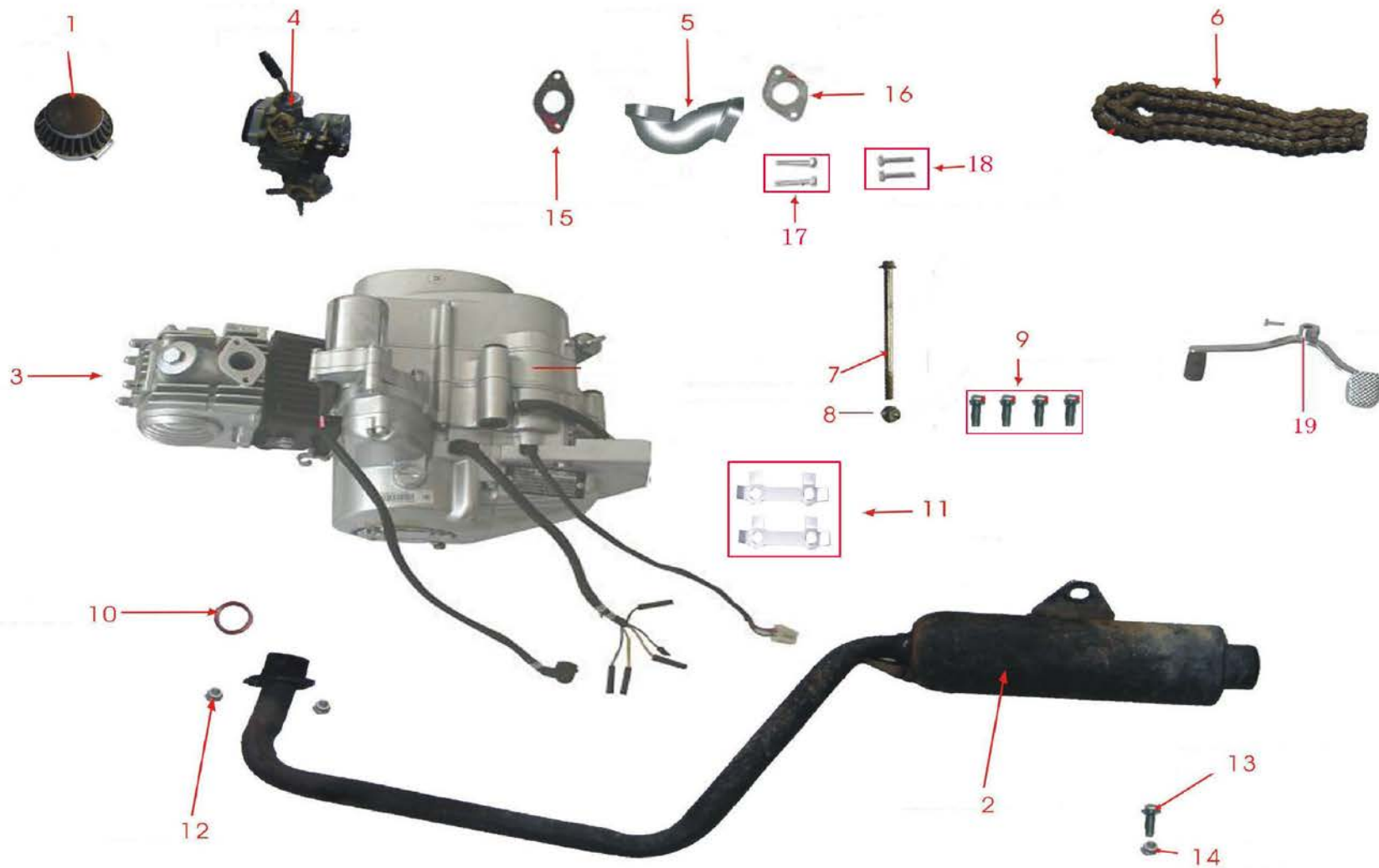
转 向 部 分

STEERING

序号S.N	零部件代码 PART NO.	英文名称 English part name	数量 Quantit
1	1.2.80.0010	STEERING BAR	1
2	1.2.80.0020	STEERING BAR PAD	1
3	0.01.04750	SCREW	2
4	0.03.00150	NUT	2
5	3.1.80.0010	TIE ROD	2
6	0.03.03120	NUT	4
7	0.04.00810	WASHER	4
8	0.08.00500	COTTER PIN	4
9	1.2.80.0030	STEEL BUSHING OF STEERING	2
10		O RING	2
11	0.04.07450	WASHER	1
12	0.04.00810	WASHER	1
13	0.03.03120	NUT	1
14	0.08.00500	COTTER PIN	1
15	5.3.02.0063	EMERGENCY BUTTON	1
16	5.3.80.0010	FUNCTION BUTTON	1
17	4.4.80.0010	HANDLE BAR	1
18	4.3.02.0121	FRONG BRAKE LEVER	1
19	4.4.80.0040	HANDLE COVER	2
20	4.4.80.0020	HANDLE BAR CLAMP (TOP)	2
	4.4.80.0030	HANDLE BAR CLAMP (BOTTOM)	2

序号S.N	零部件代码 PART NO.	英文名称 English part name	数量 Quantity
21	0.01.04750	SCREW	4
22	4.5.80.0010	THROTTLE CABLE	1
23	4.5.80.0020	CHOKE CALBE	1
24	4.5.80.0030	BRAKE CABLE	2
25		FOAM COVER	1
26		FOAM	1

发动机部分
ENGINE

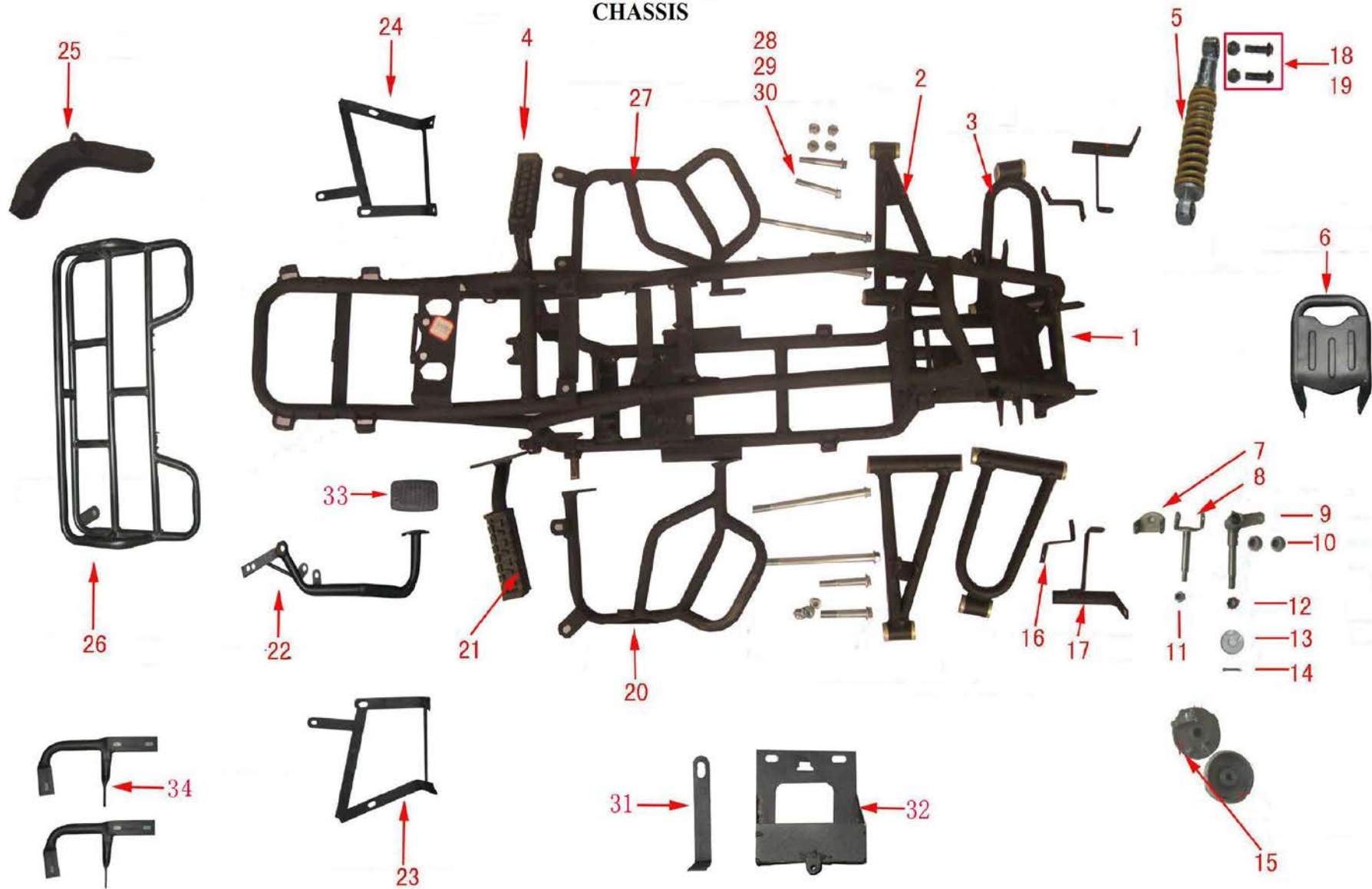


发 动 机 部 分

ENGINE

序号S.N	零部件代码 PART NO.	英文名称 English part name	数量 Quantit
1	2.5.80.0010	AIR FILTER	1
2	2.4.80.0010	OUTLET PIPE	1
3	2.1.80.0010	ENGINE	1
4	2.8.80.0010	CARBURETOR	1
5	ENGINE INCLUDES	INLET PIPE	1
6	2.3.80.0010	CHAIN	1
7	0.01.15550	FLANGE BOLT	1
8	0.03.00150	NUT	1
9	0.01.05150	BOLT	4
10	OUTLET PIPE INC	SEAL,OUTLET PIPE	1
11	1.4.80.0010	NON-RETURN PLATE	2
12	0.03.00350	NUT	2
13	0.01.00950	SCREW	1
14	0.03.00150	NUT	1
15	ENGINE INCLUDES	RUBBER PAD	1
16	发动机包含	PAPER PAD	1
17	发动机包含	SCREW	2
18	发动机包含	SCREW	2
19	发动机包含	SHIFT ROD	1

车架部分
CHASSIS



车 架 部 分

CHASSIS

序号S.N	零部件代码 PART NO.	英文名称 English part name	数量 Quantity
1	1.1.80.0010	CHASSIS	1
2	1.3.80.0010	UP A-ARM,L	1
	1.3.80.0020	UP A-ARM,R	1
3	1.3.80.0030	DOWN A-ARM,L	1
	1.3.80.0040	DOWN A-ARM,R	1
4	6.2.80.0030	RUBBER FOOTREST	2
5	4.2.80.0010	FRONT SHOCK ABSORBER	2
6	1.4.80.0020	BUMPER	1
7		FIXING FILM FOR Y-BONE	2
8		STEERING AXLE OF Y-BONE	2
9		Y-BONE OF AXLE	2
10		NYLON COVER OF Y-BONE	4
11		NUT	2
12	0.03.01620	NUT	2
13		WASHER	2
14	0.08.01400	COTTER PIN	2
	4.3.80.0030	FRONT DRUM BRAKE,L	1
15	4.3.80.0040	FRONT DRUM BRAKE,R	1
	1.4.80.0040	BRACKET OF FRONT COVER,L	2
16	1.4.80.0050	BRACKET OF FRONT COVER,R	
17	1.4.80.0030	BRACKET OF FRONT COVER	2

序号S.N	零部件代码 PART NO.	英文名称 English part name	数量 Quantity
18	0.01.05650	SCREW	4
19	0.03.00550	NUT	4
20	1.4.80.0070	FOOTREST BRACKET,R	1
21	1.4.80.0080	FOOTREST	2
22	1.3.80.0130	REAR BRAKE LEVER	1
23	1.4.80.0100	RIGHT BRACKET OF FO	1
24	1.4.80.0090	LEFT BRACKET OF FOO	1
25	4.1.80.0090	CHAIN COVER	1
26	1.4.80.0140	REAR RACK	1
27	1.4.80.0060	FOOTREST BRACKET,L	1
28	0.01.04250	SCREW	4
29	0.01.06250	SCREW	4
30	0.01.29050	SCREW	2
31	1.4.80.0160	FIXING FILM FOR BATTE	1
32	1.4.80.0150	BATTERY BOX	1
33	1.3.83.0140	RUBBER PEDAL OF REA	1
34	1.4.80.0130	REAR RACK BRACKET	2

轮胎部分
TYRE



轮胎部分

TYRE

序号S.N	零部件代码 PART NO.	英文名称 English part name	数量 Quantit
1	4.1.80.0120	FRONT RIM	2
2	4.1.02.0184	TYRE	4
3	4.1.80.0110	REAR HUB	2
4	0.03.03850	NUT	6
5	0.01.05250	SCREW	6

电 器 部 分

ELECTRICALS

序号S.N	零部件代码 PART NO.	英文名称 English part name	数量 Quantit
1	5.3.80.0040	MAIN CALBE	1
2	5.3.02.0240	BATTERY	1
3	5.3.04.0092	VOLTAGE	1
4	5.3.02.0050	RELAY	1
5	5.3.02.0070	IGNITION	1
6	5.3.02.0080	REGULATOR	1
7	5.3.02.0370	KEY SWITCH	1
8	0.01.00650	SCREW	1
9	0.03.00250	NUT	2
10	5.2.02.0150	REFLECTION PLATE	1
11	5.3.02.0160	CHARGING INSERT	1
12		CHARGER	1
13		EMERGENCY SWITCH	1
14	5.3.04.0050	BRAKE SWITCH	1
15	5.3.80.0030	BRAKE SPRING	1
16	5.3.02.0181	RUBBER CAP OF CHARGING IN	1